

- Extremely economical
- High application efficiency
- Matured technology

Advanced coating system

SupraCoat

NEW!

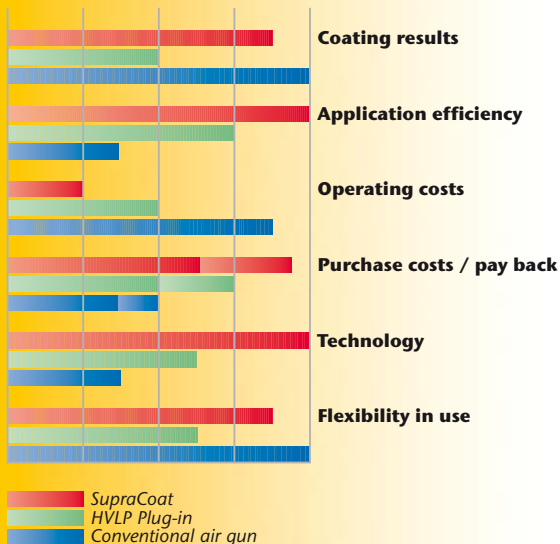
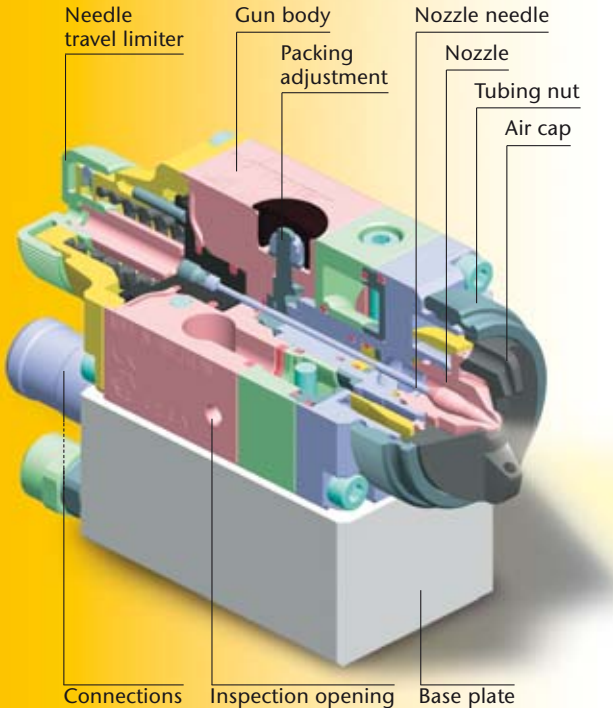


WAGNER

SupraCoat

Advanced technology for excellent surfaces!

WAGNER SupraCoat is based on **HVLP technology**¹ and in comparison to so-called HVLP plug-in systems² and conventional air guns offers decisive advantages from all points of view.



Excellent coating results

The low kinetic energy of the paint particles provides a very differentiated spray jet with little over spray or turbulence.

Due to the optimised design of the SupraCoat gun, an excellent surface finish is achieved and paints with higher viscosities can also be applied.

High application efficiency

SupraCoat guns achieve an application efficiency of up to 85%!

Extremely low operating costs

The high production speed, long service life, low maintenance expense, up to 60% paint savings and the generation of atomising air integrated in the system, make the SupraCoat system extremely economical.

Quick amortisation

In comparison to other technologies, the higher purchase costs of the SupraCoat system are amortised very quickly. A WAGNER advisor will show you how quickly with the aid of practice based calculation software.

Matured technology

WAGNER SupraCoat combines several very economical components into one perfect painting system.

- **GA 3000 SupraCoat gun**
Decades of experience and practical development work have gone into this product.
- **SupraCoat AirCenter**
Low maintenance and low wear, it generates high volumes of warmed, oil and water-free atomising air. The system completely eliminates the need for compressed air (one of the most expensive forms of industrial energy).
- **SupraCoat piping system**
Technically perfect and easy to assemble, makes it independent of other supply networks (e.g. compressed air).

Great flexibility

Thanks to its modular build the WAGNER SupraCoat system is extremely flexible. It allows tailor-made solutions for a wide variety of requirements and can easily be extended and retrofitted.

¹ HVLP technology (**H**igh **V**olume **L**ow **P**ressure)
(High air volume = 700/24.6 l/cfm, low air pressure = max. 0.7/10 bar/psi)

² HVLP plug-in systems work with normal compressed air (up to 6/87 bar/psi). The HVLP technology is simulated by the special internal geometry of the guns.

SupraCoat guns

Perfect down to the smallest detail!

■ Perfect surface finish

- Excellent atomisation
- Homogeneous distribution
- Excellent penetration into corners and body shells
- High film thicknesses are quickly achievable

■ Optimal adjustment to the application

- Internal or remote fan-control
- Standard and robot base plate for single and twin guns
- Large range of air caps, nozzles and accessories

■ Reliable technology

- Diaphragm drive for precise and fast actuation
- Tried-and-tested sub-assemblies
- Optimised design

■ Simple service and cleaning

- All connections are in the gun base plate
- Gun body easily removable for maintenance
- Nozzle changes and adjustment of the packing from outside
- Easy cleaning and flushing

■ Environmentally friendly

- Long service life
- Low material consumption
- Extremely little overspray
- Minimal contamination of the surroundings
- Reduction of the VOC emissions

■ High safety standard

- Suitable for explosion protected areas in accordance with the ATEX Guideline 95
- Compliance with the strict standard 1151, in force in California since 1991

■ Versatile in use

The SupraCoat guns allow the application of a wide spectrum of materials and thus extremely flexible production.

- 1 & 2 component water based and solvent based paints
- Metallic paints
- High solids paints
- High viscosity paints
- Release agents

The WAGNER SupraCoat system has been found satisfactory in many areas of industry:

- Coating plastics
- Painting commercial vehicles
- Coating wheel rims
- Painting engines
- Coating transmissions
- Coating lorry cabs, superstructures of lorries and transporters, steering gears
- Micro-corrosion proofing
- Leather industry
- Coating steel
- Coating wood
- Coating glass



GA 3000SCIC
automatic gun



GA 3000SCEC
automatic gun



GA 3000SCEC Robot
automatic gun



GA 3000SCEC Robot Twin -
automatic twin gun



SupraCoat piping system

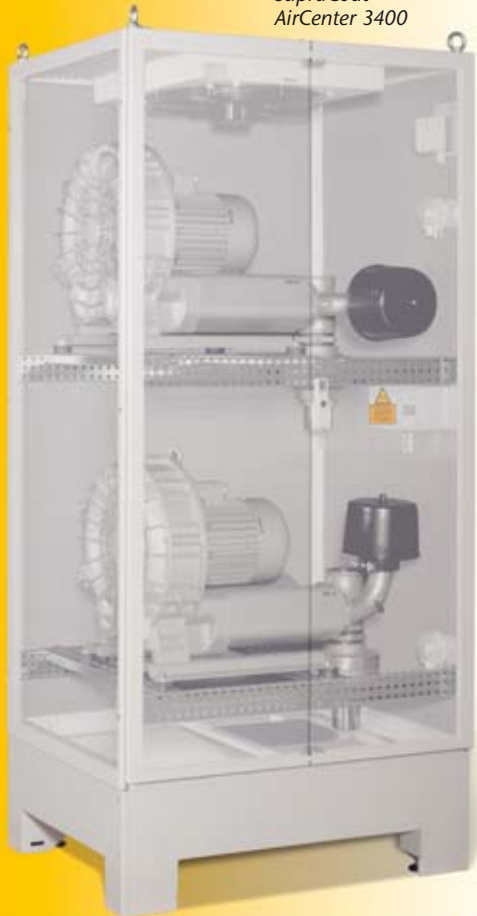
SupraCoat controller



SupraCoat AirCenter 3000



SupraCoat AirCenter 3400



SupraCoat system

Compact and complete!

SupraCoat piping system

The WAGNER SupraCoat piping system is a product proven in practical use.

It is of modular construction, individually adaptable and can be extended at any time – its convincing features are its superb material properties, its low weight and its corrosion resistance.

Different pipe diameters and an extensive range of accessories complete the system.

The SupraCoat piping system will win you over, not only with its quality but also due to its simple, quick and thus inexpensive assembly.

SupraCoat AirCenter

The WAGNER SupraCoat AirCenter has been specially developed to generate a constant high volume of air, and has been used successfully in industrial plant for years.

The clean, pulsation-free, warmed atomising air makes an essential contribution to an excellent surface finish, which meets the highest demands.

The SupraCoat AirCenter is a non-contact, continuous runner, and thus low wear and requiring little maintenance.

Along with the maintenance and service costs, the operating costs are also reduced thanks to this useful air resource.

SupraCoat controller

With the WAGNER SupraCoat controller you can throttle the air from the compressed air mains for the guns.

The desired output pressure adjustment is easily accessible on the front of the unit and can be read off from the integral pressure gauge. Thanks to its compact construction it can be positioned close to the gun.

SupraCoat AirCenter 3000

A compact stand-alone unit with all the important control functions:

- Monitoring the filter for fouling and a warning signal when heavily fouled
- Monitoring the temperature and shutting off at excessive temperature
- Master switch

SupraCoat AirCenter 3200/3400

Complete with sound-proofing cabinet this unit provides a high level of process security.

When integrated into a painting system all functions can be operated and checked from the touch screen of the central controller.



www.wagner-group.com

