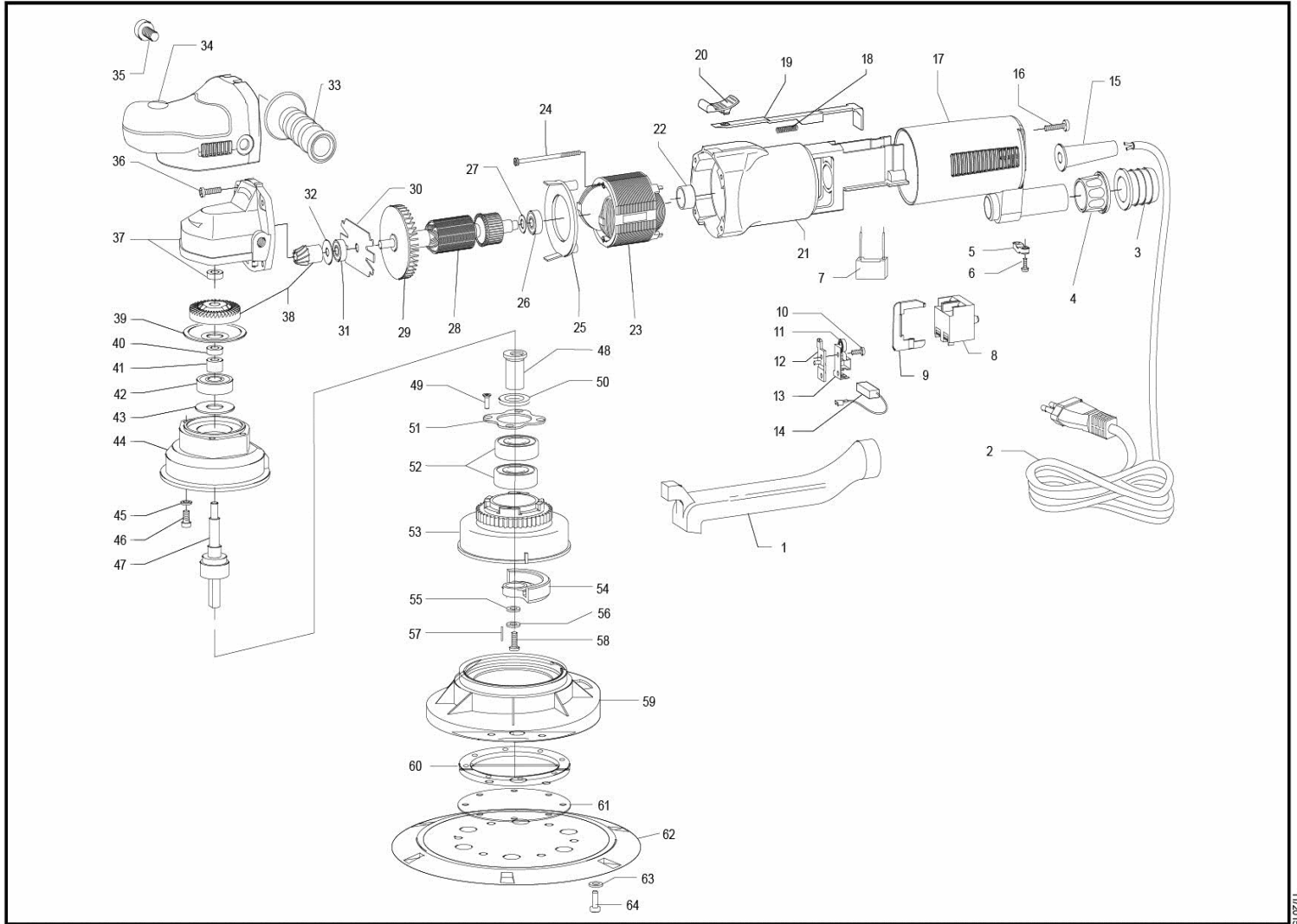


LEVIGATRICE ROTOECCENTRICA  
PLANETARY SANDER

EK200AS



ID	ITEM	DESCRIPTION
001	67.201	SUCTION PIPE
002	9C2X1,0N485FOR	CAVO 2x1 (spina Schuko d4,8) mt.5 H05RN-F con forchetta
002	9C2X1,0NAU5FOR	CABLE 2X1 (plug Australia) H07RN-F mt.5
002	9C2X1,0NGB4FOR	CABLE 2X1 (plug UK) with fork H07RN-F CENTRAL METAL PLUG
002	9C2X1,0R404FOR	CABLE 2X1 (plug D4) H07RN-F mt.4 with fork (only Swiss)
003	663.033	FILLER CONNECTOR
004	653.150	VACUUM REGULATION
005	444.14	CABLE CLAMP NYLON
006	9.660	SCREW 3,9x16 ( 7x5/8") T.C.C.
007	9.1535	CONDENSER WITH 2 FASTON
008	45.210	SWITCH
009	382.247	SWITCH SEPARATOR
010	9.551	SCREW 2,9x13 ( 4x1/2") T.C.C.
011	461.105	SPRING BRUSH HOLDER BA21 BURNISHED
012	462.105	BRUSH HOLDER PLATE
013	46.105	BRUSH HOLDER BA215-LH18ENS
014	47.105/10	BLISTER WITH 10 PC. BRUSHES BA215
015	42.105	CABLE SLEEVE BA21-BR51
016	9.660	SCREW 3,9x16 ( 7x5/8") T.C.C.
017	44.247/C	CALOTTA POSTERIORE LHR12E con chiusura
018	75.105	SPRING
019	38.247	BEAM SWITCH
020	381.247	RUBBER BUTTON ON/OFF
021	31.247	MOTOR BODY
022	268.105	BEARING CAP
023	2.118/230	STATOR (V.230)
024	9.570	SCREW 2,9x60 ( 4x2"3/8)T.C.C.
025	73.105	AIR BULKHEAD
026	9.14/10	BEARING 626ZZ1MC3E J NS7SQ
027	9.318	STEEL WASHER d15 x 6,1 s 0,15
028	1.116/220	ROTOR (V.220-240)
029	15.289	FAN
030	351.105	MOTOR BODY LITTLE COVER
031	9.17/10	BEARING 629 ZZ-C3
032	9.218	STEEL WASHER d20 x 8,1 SP 0,1
033	811.13	HANDLE
034	81.289	HANDLE CAP
035	812.91	SCREW M8 x 15 T.C.IN NYLON A T.
036	9.679	SCREW 4,2x25 ( 8x1" ) T.C.C.
037	32.252/C	COMPLETE GEAR BOX
038	50.106	GEAR SET
039	35.105	FLANGE PLATE BA21-SL41
040	54.116	SPACER
041	541.116	SPACER
042	9.99/10	BEARING NSK 6201 DDUCM D EA3S6
043	9.314	STEEL WASHER d31,9 x 26 s 0,1
044	33.279/C	FLANGE
045	9.328	TOOTHED WASHER
046	9.620	SCREW M4 x 30 T.C.C 8G BURNISHED
047	51.278	STEEL ECC. SPINDLE SHAFT
048	571.279	ECCENTRIC EK200
049	9.6150	SCREW M4 x 12 T.S.P. BURNISHED CI.88
050	70.279	d29 x 22,5 s1 FELT WASHER
051	35.155	RING NUT LOCKING BEARING
052	9.143/10	BEARING NSK 6203 DDUC3E D EA3S6
053	332.279/C	PADS HOLDER CUP

ID	ITEM	DESCRIPTION
054	57.279	COUNTERWEIGHT
055	9.208	WASHER 5x12
056	9.331	TOOTHED WASHER
057	9.518	ELASTIC PLUG d 3,5x8 DIN 1481
058	9.676	SCREW M5 x 18 T.C.C. BURNISHED
059	652.090	VACUUM SHROUD
060	70.252	FELT RING BK
061	68.279/HT	GASKET
062	912.279	Ø 200mm PAD VELCRO 8 HOLES
063	9.331	TOOTHED WASHER
064	9.616	SCREW M5 x 14 TC + C/D STEEL 8.8 T.P.