



Excellence for industrial coating.

Experience

Strong brands – strong performance

Whether for the wood industries, in the areas of infrastructure, agriculture and construction machinery, transport, automotive or domestic appliances: The WAGNER Group, with its WAGNER, Walther Pilot, Reinhardt-Technik and C.A. Technologies brands, provides perfectly aligned products and solutions for optimizing your entire coating, bonding, sealing and encapsulation processes. We offer a complete range of technologies to fit the material you use – liquid and powder coatings, adhesives or other fluid media. Our solutions, including tailor-made interface management, thus become a valuable link within your production processes.

The WAGNER Group operates globally with approximately 1,600 employees, 15 operative companies and about 300 international WAGNER sales branches. We have seven technology centers for research and development worldwide: In workshops equipped with the latest technology customers may apply coating to their product under real-life production conditions and determine the most cost-effective system configuration.

We ensure the high quality of all WAGNER products with a quality assurance system covering all business processes: design and development, production, process technology, marketing, sales and service.

The big WAGNER Liquid application 2018 / 2019

Consultation / contact person

We would be happy to advise you over the phone, alternatively please send an email to:

Customer Service Export:

Tel.: +49 (0) 7544 - 505 1927

E-Mail: cs-international@wagner-group.com

Technical Support Liquid:

Tel.: +49 (0) 7544 - 505 1925

E-Mail: ts-liquid@wagner-group.com

WAGNER GROUP

Legend



Liquid application

AL

Suitable for Airless applications

AC

Suitable for AirCoat applications

AS

Suitable for Airspray applications



Protective coating



Metal coating



Wood coating



Plastic coating



Complies with CE directive



Complies with ATEX directive



FM certified

Experience **fascinating surfaces**



Products from **WAGNER Industrial Solutions** stand for maximum reliability, quality for your specific requirements.

Furniture, walls, garden fences, construction machines, mobile phones, wheel rims, leather sofas, or perfume bottles - there is hardly any object that does not come with a coating. The reason is obvious: among others, the surface determines the function, durability and the attractiveness of an object.

Content



	Finishing piston pumps	10	Feeding
	Protective coating piston pumps	30	
	Feeding pumps	40	
	High pressure diaphragm pumps	48	
	Low pressure diaphragm pumps	54	
	Pressure tanks	72	
	TwinControl	84	Mixing
	Cobra 2K	100	
	PROTEC 2K	102	
	Elektronic mixing- and dosing systems	110	
	2K COMFORT	112	
	Airspray	118	Applying
	AirCoat	144	
	Airless	154	
	Electrostatic solvent	168	
	Electrostatic water-based lacquers	186	
	Rotary atomization	204	
	Reciprocators	212	Moving

Join us in the world of perfect surfaces. Our know-how makes WAGNER one of the world's leading manufacturers of devices and system for surface coating. Be inspired and rest assured that you will find the best solution for you here.

The logo features a black triangle above the word "WAGNER" in a bold, black, sans-serif font, all contained within a yellow rectangular background.

We accept **challenges.**

WAGNER Industrial Solutions offers devices, equipment, and systems for all industrial surface coating applications. Our innovative products and solutions stand out due to their quality, efficiency and productivity.

As a market leading manufacturer of high tech systems, we offer components for the application of liquid and powder lacquers and paints to surfaces. As one of the few providers in this market we offer a complete product and technology range for the complete process sequence, starting with feeding the product, followed by mixing, moving and controlling to finishing the optimal application to the surface. Efficient use of resources, maximum quality and cost-effectiveness is our maxim - in every case!





WAGNER Development center

The modernly equipped WAGNER Development Center sets new standards for the development of products and solutions for the surface coating industry - be it for the first idea or the series production start. The WAGNER Development Center also ensures compliance with all national and international standards and regulation as part of the product development.

WAGNER Technology center

At our Markdorf site, WAGNER has a unique technology center with a floor space of more than 1,400 m² for liquid and powder coating. As well as using the center for our own product development and for training purposes, it is also available to product manufacturers and coaters, for them to work with WAGNER to develop process parameters and system configurations for optimum coating results.

WAGNER Service

Always near you - the WAGNER service network. WAGNER offers its customers a global service. At our locations you will always find the right contact person with an answer to all technical questions. We recommend regularly undertaking preventative checks and maintenance on your system. Various qualified and certified services (e.g. maintenance contracts, operational reliability checks) are available for this purpose.

WAGNER Distribution support

WAGNER has a large network of qualified distributors around the world. Depending on their specialization, they provide not just components and spare parts but also solutions and various user advice services. For information about your nearest WAGNER dealer, please visit our website <http://www.wagner-group.com/en/service/service-for-industry/wagner-service-partners/>

Are you interested in becoming an agent for WAGNER industrial products? We can offer you comprehensive support with a wide range of services to assist you:

- Extensive training, providing information on applications, products, and services in the WAGNER Academy
- Marketing support for trade fairs, events, and your media presence
- Technical advice to help you design optimum solutions
- Competent service to support products during use
- Web-based dealer information and the WAGNER dealer shop
- Friendly customer service for special orders and developments



WAGNER

Discover what is **New** at **WAGNER**.

Discover the new products and innovations for 2018/19!

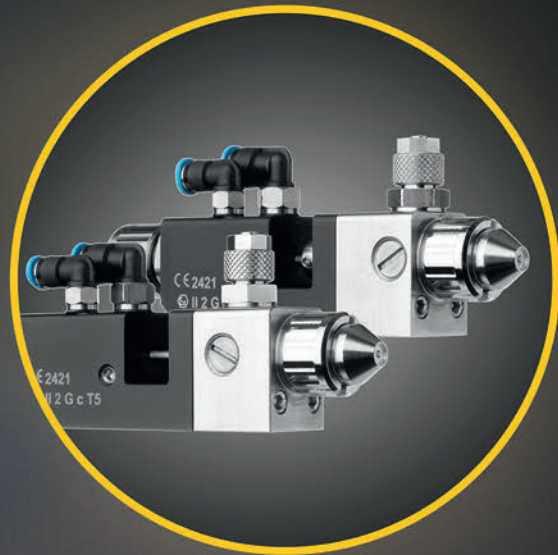


Airspray automatic gun

PILOT GA 9010 Marking

The PILOT GA 9010 Marking is a fully automatic spray gun for spot and line marking. It is suitable for alphanumeric labelling.

See page 142



Electronic mixing and dosing system

2K Smart

The mixing and dosing unit WAGNER 2K Smart, optionally with contactless flow measurement, can be used for any application where multi-color 2K or 3K paints are processed.

See page 110

High-speed rotary atomizers

TOPFINISH RobotBell 1 & TOPFINISH Bell 1S

With the new high-speed rotation atomiser, both small workpieces and large surfaces can be coated with maximum efficiency. They are ideal for electrostatic applications with water and solvent-based paints.

See page 204



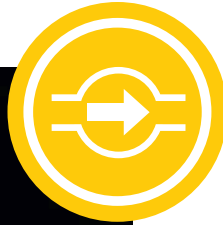
The Wagner logo consists of a black triangle pointing upwards, with the word "WAGNER" in a bold, black, sans-serif font positioned to its right. The entire logo is set against a bright yellow rectangular background.

WAGNER

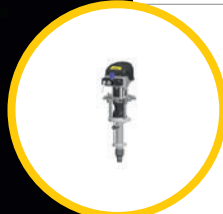
A close-up photograph of a Wagner Protec 10 pump and spray gun. The pump is black and silver, featuring a blue adjustment knob, a pressure gauge, and a black solenoid valve. A silver spray gun with a yellow trigger is attached to the pump. The background is dark, highlighting the mechanical details of the equipment.

**Strong performance for
outstanding results.**

Lacquers, stains, separating agents, primers, adhesives and chemicals, whether they have a high or low viscosity, are watery or have a high solid content – WAGNER offers the right pump for every material and every application. By developing pumps that feature constant performance, low icing air motors, reliability, service friendliness, minimal wear and low energy consumption, WAGNER has created a broad product spectrum that contains a solution for every requirement.



Feeding



Finishing piston pumps

10



Protective coating piston pumps

30



Feeding pumps

40



High pressure diaphragm pumps

48



Low pressure diaphragm pumps

54



Pressure tanks

72

Finishing piston pumps

With the IceBreaker finishing piston pumps, WAGNER covers the entire spectrum of industrial applications. Whether window manufacturer or automated multiple gun application in the furniture industry, low viscosity glaze or high-viscosity high-solid lacquers: The product range fulfills all possible requirements. The pumps are highly energy efficient and durable. The air motors work without icing and thanks to their very low pulsation, always produce optimal spraying results. The air motors work without icing and thanks to their very low pulsation, always produce optimal spraying results.

1. Reliable

The maintenance-free controller with extremely low pulsation ensures excellent reliability even in continuous operation.

2. User Friendliness

The integrated compact pressure regulator unit makes the setting of the pump pressure and the air flow of AirCoat applications an easy task.

3. Under Full Pressure

Regardless of with how much pressure the air motor operates, the full system pressure is always applied to the control. Thus the pump operates reliably even for low operating pressures without stopping.

4. Optimum Service

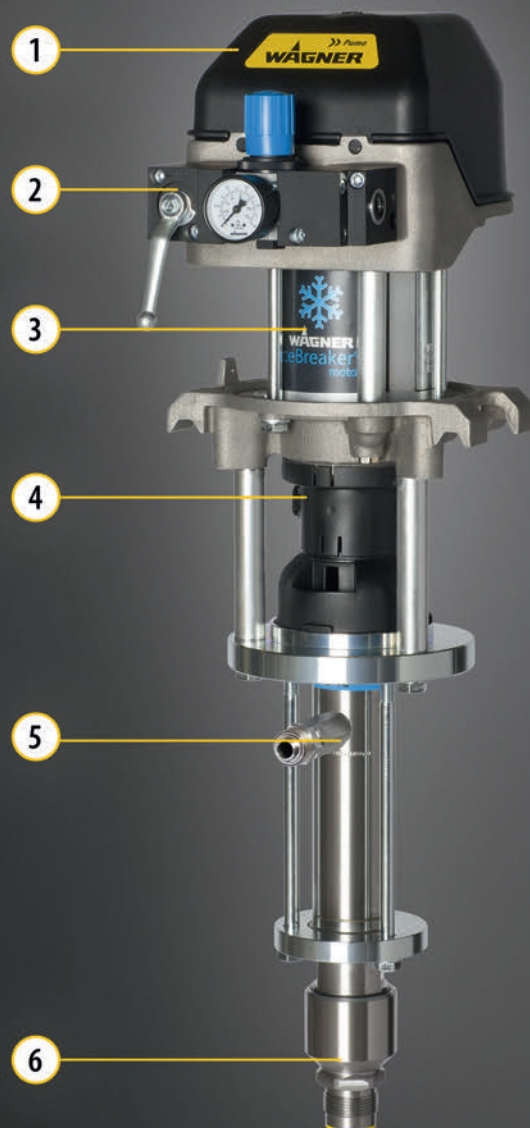
Easy to clean separating agent chamber. Quick and easy change of the self-adjusting packages without any special tools.

5. Equipped for Every Application

The fluid section is completely made of stainless steel and ensures a long service life with minimum wear even when used with abrasive, chemical, or corrosive materials.

6. Material-friendly

Large valve cross-sections ensure an optimal and material-friendly flow.



Overview WAGNER finishing piston pumps

Wagner offers a comprehensive finishing piston pump range. Please choose the perfect solution for your requirements from the following table. Further information can be found in the product pages.

	EvoMotion 20-30S	EvoMotion 40-15S	Wildcat 18-40	Wildcat 10-70	Puma 28-40	Puma 15-70	Puma 21-110	Puma 15-150	Leopard 35-70	Leopard 35-150	Leopard 18-300	Jaguar 38-300
Material properties												
Water-based products	●	●	●	●	●	●	●	●	●	●	●	●
Solvent-based products	●	●	●	●	●	●	●	●	●	●	●	●
Low viscosity (<40 sec. DIN No. 4)	●	●	●	●	●	●	●	●	●	●	●	●
Medium viscosity (40 ... 60 sec. DIN No. 4)	●	●	●	●	●	●	●	●	●	●	●	●
High viscosity (>60 sec. DIN No. 4)									●	●	●	●
UV sensitive products							●	●	●	●	●	●
Shear sensitive products			●	●	●	●	●	●	●	●	●	●
Humidity sensitive products			●	●	●	●	●	●	●	●	●	●
Basic atomization												
Airspray												
AirCoat 160 bar max	●	●	●	●	●	●	●	●	●	●	●	
AirCoat 250 bar max		●							●	●		●
Airless 270 bar max		●			●				●	●		●
Airless 400 bar max												
Airless 530 bar max												
Liquid feeding				●		●		●			●	
Max. number of guns												
1 gun, nozzle 0.017"	●	●	●	●	●	●	●	●	●	●	●	●
2 guns, nozzle 0.017"			●	●	●	●	●	●	●	●	●	●
3 guns, nozzle 0.017"				●	●	●	●	●	●	●	●	●
4 guns, nozzle 0.017"				●	●	●	●	●	●	●	●	●
1 gun, nozzle 0.021"				●	●	●	●	●	●	●	●	●
2 guns, nozzle 0.021"				●	●	●	●		●	●	●	●
3 guns, nozzle 0,021"						●	●		●	●	●	●
4 guns, nozzle 0.021"							●			●	●	●

● very suitable
● suitable to a limited extent

EvoMotion 40-15S piston pump

High-pressure piston pumps



High-pressure piston pump, stainless steel, for Airless and AirCoat applications up to 320 bar and 0.9 L/min. Ideal, for example, for professional single-item lacquer stations in production and in workshops.



Technical data	
Multiplication ratio	40 :1
Operating pressure	320 bar, 4641 PSI
Volumetric flow per double stroke	15 cm ³ /DS, 0,92 in ³ /DH
Volumetric flow per 60 double strokes	0.9 l/min
Max. stroke rate	60 DS/min
Material inlet	M-M 36x2
Material outlet	M-1/4" NPS
Air inlet connection	8 mm
Air inlet pressure	2,5 – 8,0 bar, 36 – 116 PSI
Sound level at 6 bar air pressure	74 dB(A)
Material temperature	5 - 80 °C, 41 - 176 °F
Ambient temperature	4 – 40 °C, 39 – 104 °F
Material pH	3.5 – 9 pH
Max. material pressure at pump inlet	20 bar, 290 PSI
Allowable inclination	±10 °
Weight	9,0 kg, 19.8 lb

Material wetted parts

- Stainless steel
- PTFE
- PA

Included Items

- Pump with air regulator and hose connection fitting
- Designed for installation on wall mount, frame or trolley
- Release agent bottle 250 cm³
- User manual
- CE declaration of conformity

Ordering information

- Using the spraypack configurator, each pump can be customized by adding a holder, suction system, material filter, hose or spray gun, depending on the requirements.
- A range of ready-to-use spraypacks is also available.

Product variants	Art. No.
Spray pack configuration Finishing VC	2333720
EvoMotion 40-15S PE/T	2329450
SP EM40-15 AG14AL	2335075
SP EM40-15 GM4700AC	2335175
SP EM40-15 AL	2335287

Service sets	
Seal kit M 80 T910.00	T910.00
Service-Set EM15ccm PE/T	T9039.00E

EvoMotion 40-15 compact

High-pressure piston pumps

High pressure piston pump, stainless steel, for Airless and AirCoat applications of up to 320 bar and 0.9 l/min. The directly mounted hopper enables optimum intake, even with more viscous products.



Technical data	
Multiplication ratio	40 :1
Operating pressure	320 bar, 4641 PSI
Volumetric flow per double stroke	15 cm ³ /DS, 0,92 in ³ /DH
Volumetric flow per 60 double strokes	0.9 l/min
Max. stroke rate	60 DS/min
Material inlet	M 36x2 – M 36x2
Material outlet	M – 1/4" NPS
Air inlet connection	8 mm
Air inlet pressure	2,5 – 8,0 bar, 36 – 116 PSI
Sound level at 6 bar air pressure	74 dB(A)
Material temperature	5 - 80 °C, 41 - 176 °F
Ambient temperature	5 – 50 °C, 41 – 122 °F
Material pH	3.5 – 9 pH
Max. material pressure at pump inlet	20 bar, 290 PSI
Allowable inclination	±10 °
Weight	12,5 kg, 27.6 lb

Material wetted parts

- Stainless steel
- PTFE
- PA

Included Items

- Pump with air regulator and hose connection fitting + AirCoat regulator
- Separating agent bottle 250 cm³
- Operating manual
- CE Declaration of Conformity

Ordering information

- Supplied with 5 l hopper, fully ready for use with AirCoat gun GM 4700AC as an option
- Circulation connection available as an accessory

Product variants	Art. No.
SP EM 40-15 Upside-Down GM 4700 AC	2350603
Pump EM 40-15S HE compact with valve	U6S40015HEB

Service sets	
gasket set P13/18-HE	T9039.00HE
Seal kit M 80 T910.00	T910.00

EvoMotion 20-30S piston pump

High-pressure piston pumps



High-pressure piston pump, stainless steel, for Airless and AirCoat applications up to 160 bar and 1.8 L/min. Ideal, for example, for professional lacquer stations in single-item production and for workshops.



Technical data	
Multiplication ratio	20 :1
Operating pressure	160 bar, 2321 PSI
Volumetric flow per double stroke	30 cm ³ /DS, 1,83 in ³ /DH
Volumetric flow per 60 double strokes	1.8 l/min
Max. stroke rate	60 DS/min
Material inlet	M-M36x2
Material outlet	M-1/4" NPS
Air inlet connection	8 mm
Air inlet pressure	2,5 – 8,0 bar, 36 – 116 PSI
Sound level at 6 bar air pressure	74 dB(A)
Material temperature	5 - 80 °C, 41 - 176 °F
Ambient temperature	4 – 40 °C, 39 – 104 °F
Material pH	3.5 – 9 pH
Max. material pressure at pump inlet	20 bar, 290 PSI
Allowable inclination	±10 °
Weight	11,0 kg, 24.3 lb

Material wetted parts

- Stainless steel
- PTFE
- PA

Included Items

- Pump with air regulator and hose connection fitting
- Designed for installation on wall mount, frame or trolley
- Release agent bottle 250 cm³
- User manual
- CE declaration of conformity

Ordering information

- Using the spraypack configurator, each pump can be customized by adding a holder, suction system, material filter, hose or spray gun, depending on the requirements.
- A range of ready-to-use spraypacks is also available.

Product variants	Art. No.
Spray pack configuration Finishing VC	2333720
EvoMotion 20-30 PE/T	2329452
SP EM20-30 GM4700AC	2335176
SP EM20-30 AC	2335086
SP EM20-30 GM4700AC-Hopper	2335289

Service sets	
Seal kit M 80 T910.00	T910.00
Service-Set EM30ccm PE/T	T940.00G

EvoMotion 20-30 compact

High-pressure piston pumps

High pressure piston pump, stainless steel, for Airless and AirCoat applications of up to 144 bar and 1.8 l/min. The directly mounted hopper enables optimum intake, even with more viscous products.



Technical data	
Multiplication ratio	20 :1
Operating pressure	160 bar, 2321 PSI
Volumetric flow per double stroke	30 cm ³ /DS, 1,83 in ³ /DH
Volumetric flow per 60 double strokes	1.8 l/min
Max. stroke rate	60 DS/min
Material inlet	F-M 36x2
Material outlet	M-1/4" NPS
Air inlet connection	8 mm
Air inlet pressure	2,5 – 8,0 bar, 36 – 116 PSI
Sound level at 6 bar air pressure	74 dB(A)
Material temperature	5 - 80 °C, 41 - 176 °F
Ambient temperature	5 – 50 °C, 41 – 122 °F
Material pH	3.5 – 9 pH
Max. material pressure at pump inlet	20 bar, 290 PSI
Allowable inclination	±10 °
Weight	12,5 kg, 27.6 lb

Material wetted parts

- Stainless steel
- PTFE
- PA

Included Items

- Pump with air regulator and hose connection fitting
- Separating agent bottle 250 cm³
- Operating manual
- CE Declaration of Conformity

Ordering information

- Supplied with 5 l hopper, fully ready for use with AirCoat gun GM 4700AC as an option
- Circulation connection available as an accessory

Product variants	Art. No.
Pump EM 20-30S HE compact with valve	U6S20030HEB
SP EM 20-30 Upside-Down GM 4700 AC	2365818

Service sets	
Seal kit M 80 T910.00	T910.00
gasket set P18/25-HE INOX	T940.00HE

Wildcat 18-40

High-pressure piston pumps



High pressure piston pump, stainless steel, for AirCoat applications to 140 bar and 2.4 L/min. Ideal, for example, for professional single-item lacquer stations in production and in the workshop.



Technical data

Multiplication ratio	18 :1
Operating pressure	144 bar, 2089 PSI
Volumetric flow per double stroke	40 cm ³ /DS, 2,44 in ³ /DH
Volumetric flow per 60 double strokes	2.4 l/min
Max. stroke rate	60 DS/min
Material inlet	M-M 36x2
Material outlet	M-M 24x1,5
Air inlet connection	F-G 1/2"
Air inlet pressure	2,5 – 8,0 bar, 36 – 116 PSI
Sound level at 6 bar air pressure	74 dB(A)
Material temperature	5 - 80 °C, 41 - 176 °F
Ambient temperature	5 – 50 °C, 41 – 122 °F
Material pH	3.5 – 9 pH
Max. material pressure at pump inlet	20 bar, 290 PSI
Allowable inclination	±10 °
Weight	15,0 kg, 33.1 lb

Feeding

Finishing piston pumps

Material wetted parts

- Tungsten carbide
- Stainless steel
- Hard chrome
- PTFE
- Packing material depending on pump Type

Included Items

- Pump, incl. air pressure regulator
- Separating agent bottle 250 cm³
- Operating manual
- CE Declaration of Conformity

Ordering information

- Using the spraypack configurator, each pump can be customized by adding a holder, suction system, material filter, hose or spray gun, depending on the requirements.
- A range of ready-to-use spraypacks is also available.

Product variants	Art. No.
Spray pack configuration Finishing VC	2333720
PistonP. Wildcat 18-40 PE/TG	2329456
PistonP. Wildcat 18-40 PE/T	2329458
SP WildCat18-40 AC	2335090
SP WildCat18-40 GM4100AC	2335092
SP WildCat18-40 GM4700AC	2335177

Service sets	Art. No.
Service kit airmotor 3"/75	366995
Service kit fluid section 40 ccm PE+TG	367990
Service kit fluid section 40 ccm PE+T	367994

Wildcat 10-70

High-pressure piston pumps

High pressure piston pump, stainless steel, for AirCoat applications up to 80 bar and 4 L/min. Ideal, for example, for small material supply stations and individual coating stations.



Technical data	
Multiplication ratio	10 :1
Operating pressure	80 bar, 1160 PSI
Volumetric flow per double stroke	70 cm ³ /DS, 4,27 in ³ /DH
Volumetric flow per 60 double strokes	4.2 l/min
Max. stroke rate	60 DS/min
Material inlet	M-M 36x2
Material outlet	M-M 24x1,5
Air inlet connection	F-G 1/2"
Air inlet pressure	2,5 – 8,0 bar, 36 – 116 PSI
Sound level at 6 bar air pressure	74 dB(A)
Material temperature	5 - 80 °C, 41 - 176 °F
Ambient temperature	5 – 50 °C, 41 – 122 °F
Material pH	3.5 – 9 pH
Max. material pressure at pump inlet	20 bar, 290 PSI
Allowable inclination	±10 °
Weight	17,0 kg, 37.5 lb

Material wetted parts

- Tungsten carbide
- Stainless steel
- Hard chrome
- PTFE
- Packing material depending on pump type

Included Items

- Pump, incl. air pressure regulator
- Separating agent bottle 250 cm³
- Operating manual
- CE Declaration of Conformity

Ordering information

- Using the spraypack configurator, each pump can be customized by adding a holder, suction system, material filter, hose or spray gun, depending on the requirements.
- A range of ready-to-use spraypacks is also available.

Product variants	Art. No.
Spray pack configuration Finishing VC	2333720
PistonP. Wildcat 10-70 PE/TG	2329460
PistonP. Wildcat 10-70 PE/T	2329462

Service sets	
Service kit airmotor 3"/75	366995
Service Set Fluidsec. 70/150 ccm PE+TG	368990
Service kit paint section70/150ccm PE+T	368994

Puma 28-40

High-pressure piston pumps



High-pressure piston pump, stainless steel, for Airless and AirCoat applications up to 220 bar and 2.4 L/min. Ideal, for example, for professional individual lacquer stations or as a hardener pump.



Technical data	
Multiplication ratio	28 :1
Operating pressure	224 bar, 3249 PSI
Volumetric flow per double stroke	40 cm ³ /DS, 2,44 in ³ /DH
Volumetric flow per 60 double strokes	2.4 l/min
Max. stroke rate	60 DS/min
Material inlet	M-M 36x2
Material outlet	M-M 24x1,5
Air inlet pressure	2,5 – 8,0 bar, 36 – 116 PSI
Sound level at 6 bar air pressure	74 dB(A)
Material temperature	5 – 80 °C, 41 – 176 °F
Ambient temperature	5 – 50 °C, 41 – 122 °F
Material pH	3.5 – 9 pH
Max. material pressure at pump inlet	20 bar, 290 PSI
Allowable inclination	±10 °
Weight	16,0 kg, 35.3 lb

Material wetted parts

- Tungsten carbide
- Stainless steel
- Hard chrome
- PTFE
- Packing material depending on pump type

Included Items

- Pump, incl. air pressure regulator
- Separating agent bottle 250 cm³
- Operating manual
- CE Declaration of Conformity

Ordering information

- Using the spraypack configurator, each pump can be customized by adding a holder, suction system, material filter, hose or spray gun, depending on the requirements.
- A range of ready-to-use spraypacks is also available.

Product variants	Art. No.
PistonP. Puma 28-40 PE/TG	2329467
PistonP. Puma 28-40 NPS	2329469
SP-VC Puma28-40 GM4700AC	2335179
SP Puma28-40 GM4700AC-Stand	2335290
SP Puma28-40 AC	2335291
Spray pack configuration Finishing VC	2333720

Service sets	
Service kit fluid section 40 ccm PE+TG	367990
Service kit fluid section 40 ccm PE+T	367994
Service kit airmotor 4"	367995

Puma 15-70

High-pressure piston pumps

High pressure piston pump, stainless steel, for AirCoat applications up to 120 bar and 4 L/min. Ideal, for example, for industrial coating in the wood and metals industries.



Technical data	
Multiplication ratio	15 :1
Operating pressure	120 bar, 1740 PSI
Volumetric flow per double stroke	70 cm ³ /DS, 4,27 in ³ /DH
Volumetric flow per 60 double strokes	4.2 l/min
Max. stroke rate	60 DS/min
Material inlet	M-M 36x2
Material outlet	M-M 24x1,5
Air inlet pressure	2,5 – 8,0 bar, 36 – 116 PSI
Sound level at 6 bar air pressure	74 dB(A)
Material temperature	5 - 80 °C, 41 - 176 °F
Ambient temperature	5 – 50 °C, 41 – 122 °F
Material pH	3.5 – 9 pH
Max. material pressure at pump inlet	20 bar, 290 PSI
Allowable inclination	±10 °
Weight	18,0 kg, 39.7 lb

Material wetted parts

- Tungsten carbide
- Stainless steel
- Hard chrome
- PTFE
- Packing material depending on pump type

Included Items

- Pump, incl. air pressure regulator
- Separating agent bottle 250 cm³
- Operating manual
- CE Declaration of Conformity

Ordering information

- Using the spraypack configurator, each pump can be customized by adding a holder, suction system, material filter, hose or spray gun, depending on the requirements.
- A range of ready-to-use spraypacks is also available.

Product variants	Art. No.
Spray pack configuration Finishing VC	2333720
PistonP. Puma 15-70 PE/TG	2329471
PistonP. Puma 15-70 PE/T	2329473

Service sets	Art. No.
Service kit airmotor 4"	367995
Service Set Fluidsec. 70/150 ccm PE+TG	368990
Service kit paint section70/150ccm PE+T	368994

Puma 21-110

High-pressure piston pumps



High pressure piston pump, stainless steel, for AirCoat applications up to 168 bar and 6.6 L/min. Ideal, for example, for multiple guns in a flatbed machine.



Technical data

Multiplication ratio	21 :1
Operating pressure	168 bar, 2437 PSI
Volumetric flow per double stroke	110 cm ³ /DS, 6,71 in ³ /DH
Volumetric flow per 60 double strokes	6.6 l/min
Max. stroke rate	60 DS/min
Material inlet	M-M 36x2
Material outlet	M-M 24x1,5
Air inlet pressure	2,5 – 8,0 bar, 36 – 116 PSI
Sound level at 6 bar air pressure	74 dB(A)
Material temperature	5 - 80 °C, 41 - 176 °F
Ambient temperature	5 – 50 °C, 41 – 122 °F
Material pH	3.5 – 9 pH
Max. material pressure at pump inlet	20 bar, 290 PSI
Allowable inclination	±10 °
Weight	28,0 kg, 61.7 lb

Feeding

Finishing piston pumps

Material wetted parts

- Tungsten carbide
- Stainless steel
- Hard chrome
- PTFE
- Packing material depending on pump type

Included Items

- Pump, incl. air pressure regulator
- Separating agent bottle 250 cm³
- Operating manual
- CE Declaration of Conformity

Ordering information

- Using the spraypack configurator, each pump can be customized by adding a holder, suction system, material filter, hose or spray gun, depending on the requirements.
- A range of ready-to-use spraypacks is also available.

Product variants	Art. No.
Spray pack configuration Finishing VC	2333720
PistenP. Puma 21-110 PE/TG	2329517
PistenP. Puma 21-110 PE/T	2330614

Service sets	
Service kit fluid section 110 ccm PE+TG	368997
Spare part set fluid section PP110 PE+T	2304930
Service kit fluid section PP110 PE+L	2319924
Service kit airmotor 4"	367995

Puma 15-150

High-pressure piston pumps

High-pressure piston pump, stainless steel for AirCoat applications up to 120 bar and 9 l/min. Ideal for e.g. industrial coatings in the wood and metal industries, use of multiple guns.



Technical data	
Multiplication ratio	15 :1
Operating pressure	120 bar, 1740 PSI
Volumetric flow per double stroke	150 cm ³ /DS, 9,15 in ³ /DH
Volumetric flow per 60 double strokes	9 l/min
Max. stroke rate	60 DS/min
Material inlet	M-M 36x2
Material outlet	M-M 24x1,5
Air inlet pressure	2,5 – 8,0 bar, 36 – 116 PSI
Sound level at 6 bar air pressure	74 dB(A)
Material temperature	5 - 80 °C, 41 - 176 °F
Ambient temperature	5 – 50 °C, 41 – 122 °F
Material pH	3.5 – 9 pH
Max. material pressure at pump inlet	20 bar, 290 PSI
Allowable inclination	±10 °
Weight	28,0 kg, 61.7 lb

Material wetted parts

- Tungsten carbide
- Stainless steel
- Hard chrome
- PTFE
- Packing material depending on pump type

Included Items

- Pump, incl. air pressure regulator
- Separating agent bottle 250 cm³
- Operating manual
- CE Declaration of Conformity

Ordering information

- Using the spraypack configurator, the pump can be individually configured with a holder, suction system, material filter, hose and spray gun, depending on the requirements.
- A range of ready-to-use spraypacks is also available.

Product variants	Art. No.
Spray pack configuration Finishing VC	2333720
PistonP. Puma 15-150 NPS	2329475
PistonP. Puma 15-150 PE/T	2329477

Service sets	
Service kit airmotor 4"	367995
Service Set Fluidsec. 70/150 ccm PE+TG	368990
Service kit paint section70/150ccm PE+T	368994

Leopard 35-70

High-pressure piston pumps

High-pressure piston pump, stainless steel for Airless and AirCoat applications up to 250 bar and 4 l/min. Ideal for e.g. industrial coatings in the wood and metal industries.



Feeding

Finishing piston pumps

Technical data	
Multiplication ratio	35 :1
Operating pressure	250 bar, 3626 PSI
Volumetric flow per double stroke	70 cm ³ /DS, 4,27 in ³ /DH
Volumetric flow per 60 double strokes	4.2 l/min
Max. stroke rate	60 DS/min
Material inlet	M-M 36x2
Material outlet	M-M 24x1,5
Air inlet pressure	2,5 – 7,1 bar, 36 – 103 PSI
Sound level at 6 bar air pressure	74 dB(A)
Material temperature	5 – 80 °C, 41 – 176 °F
Ambient temperature	5 – 50 °C, 41 – 122 °F
Material pH	3.5 – 9 pH
Max. material pressure at pump inlet	20 bar, 290 PSI
Allowable inclination	±10 °
Weight	26,0 kg, 57.3 lb

Material wetted parts

- Tungsten carbide
- Stainless steel
- Hard chrome
- PTFE
- Packing material depending on pump type

Included Items

- Pump, incl. air pressure regulator
- Separating agent bottle 250 cm³
- Operating manual
- CE Declaration of Conformity

Ordering information

- Using the spraypack configurator, each pump can be customized by adding a holder, suction system, material filter, hose or spray gun, depending on the requirements.
- A range of ready-to-use spraypacks is also available.

Product variants	Art. No.
Spray pack configuration Finishing VC	2333720
PistonP. Leopard 35-70 PE/TG	2329479
PistonP. Leopard 35-70 NPS	2329481
SP Leopard35-70 GM4700AC	2335181
SP Leopard35-70 AG14AL	2335182
SP Leopard 35-70 AL	2335293

Service sets	
Service Set Fluidsec. 70/150 ccm PE+TG	368990
Service kit paint section70/150ccm PE+T	368994
Service kit airmotor 6"	368995

Leopard 35-150

High-pressure piston pumps

High pressure piston pump, stainless steel, for Airless and AirCoat applications up to 250 bar and 9 L/min. Ideal, for example, for industrial coating in the wood and metals industries and the use of multiple guns.



Technical data	
Multiplication ratio	35 :1
Operating pressure	250 bar, 3626 PSI
Volumetric flow per double stroke	150 cm ³ /DS, 9,15 in ³ /DH
Volumetric flow per 60 double strokes	9 l/min
Max. stroke rate	60 DS/min
Material inlet	M-M 36x2
Material outlet	M-M 24x1,5
Air inlet pressure	2,5 – 7,7 bar, 36 – 112 PSI
Sound level at 6 bar air pressure	78 dB(A)
Material temperature	5 - 80 °C, 41 - 176 °F
Ambient temperature	5 – 50 °C, 41 – 122 °F
Material pH	3.5 – 9 pH
Max. material pressure at pump inlet	20 bar, 290 PSI
Allowable inclination	±10 °
Weight	36,0 kg, 79.4 lb

Material wetted parts

- Tungsten carbide
- Stainless steel
- Hard chrome
- PTFE
- Packing material depending on pump type

Included Items

- Pump, incl. air pressure regulator
- Separating agent bottle 250 cm³
- Operating manual
- CE Declaration of Conformity

Ordering information

- Using the spraypack configurator, the pump can be individually configured with a holder, suction system, material filter, hose and spray gun, depending on the requirements.
- A range of ready-to-use spraypacks is also available.

Product variants	Art. No.
Spray pack configuration Finishing VC	2333720
PistonP. Leopard 35-150 PE/TG	2329484
PistonP. Leopard 35-150 PE/T	2329486

Service sets	
Service Set Fluidsec. 70/150 ccm PE+TG	368990
Service kit paint section70/150ccm PE+T	368994
Service kit airmotor 6"	368995

Leopard 18-300

High-pressure piston pumps



High-pressure piston pump, stainless steel, for AirCoat applications up to 138 bar and 15 L/min. Ideal, for example, for industrial coating in the metals and plastics industries and the use of multiple guns in fully automated lacquer systems.



Technical data

Multiplication ratio	18 :1
Operating pressure	138 bar, 2002 PSI
Volumetric flow per double stroke	300 cm ³ /DS, 18,31 in ³ /DH
Volumenstrom per 50 DH	15 l/min
Max. stroke rate	50 DS/min
Material inlet	M-M 36x2
Material outlet	M-M 24x1,5
Air inlet connection	F-G 1/2"
Air inlet pressure	2,5 – 7,7 bar, 36 – 112 PSI
Sound level at 6 bar air pressure	78 dB(A)
Material temperature	5 - 80 °C, 41 - 176 °F
Ambient temperature	5 - 50 °C, 41 - 122 °F
Material pH	3.5 – 9 pH
Max. material pressure at pump inlet	20 bar, 290 PSI
Allowable inclination	±10 °
Weight	43,0 kg, 94.8 lb

Feeding

Finishing piston pumps

Material wetted parts

- Tungsten carbide
- Stainless steel
- Hard chrome
- PTFE
- Packing material depending on pump type

Included Items

- Pump, incl. air pressure regulator
- Separating agent bottle 250 cm³
- Operating manual
- CE Declaration of Conformity

Ordering information

- Using the spraypack configurator, each pump can be customized by adding a holder, suction system, material filter, hose or spray gun, depending on the requirements.
- A range of ready-to-use spraypacks is also available.

Product variants	Art. No.
Spray pack configuration Finishing VC	2333720
PistonP. Leopard 18-300 PE/TG	2329497
PistonP. Leopard 18-300 PE/T	2329499

Service sets	Art. No.
Service kit fluid section 300 ccm PE+TG	369990
Service kit fluid section 300 ccm PE/T	369964
Service kit airmotor 6"	368995

Jaguar 38-300

High-pressure piston pumps

High pressure piston pump, stainless steel, for Airless and AirCoat applications up to 270 bar and 15 L/min. Ideal, for example, for the use of multiple guns in automated lacquering systems with a large throughput.



Technical data	
Multiplication ratio	38 :1
Operating pressure	270 bar, 3916 PSI
Volumetric flow per double stroke	300 cm ³ /DS, 18,31 in ³ /DH
Volumenstrom per 50 DH	15 l/min
Max. stroke rate	50 DS/min
Material inlet	M-M 36x2
Material outlet	M-M 24x1,5
Air inlet connection	F-G 1"
Air inlet pressure	2,5 – 7,1 bar, 36 – 103 PSI
Sound level at 6 bar air pressure	81 dB(A)
Material temperature	5 - 80 °C, 41 - 176 °F
Ambient temperature	5 – 50 °C, 41 – 122 °F
Material pH	3.5 – 9 pH
Max. material pressure at pump inlet	20 bar, 290 PSI
Allowable inclination	±10 °
Weight	56,0 kg, 123.5 lb

Material wetted parts

- Tungsten carbide
- Stainless steel
- Hard chrome
- PTFE
- Packing material depending on pump type

Included Items

- Pump, incl. air pressure regulator
- Separating agent bottle 250 cm³
- Operating manual
- CE Declaration of Conformity
- M36 Suction connection adapter

Ordering information

- Using the spraypack configurator, each pump can be customized by adding a holder, suction system, material filter, hose or spray gun, depending on the requirements.
- A range of ready-to-use spraypacks is also available.

Product variants	Art. No.
Spray pack configuration Finishing VC	2333720
PistonP. Jaguar 38-300 PE/TG	2329509

Service sets	
Service kit airmotor 9"	369987
Service kit fluid section 300 ccm PE+TG	369990

Finishing piston pump accessories

Wagner offers a comprehensive accessories range for finishing piston pumps. Please select the components you require from this table. Further articles can be found in the WAGNER accessories catalog.

● Compatible with one another

EvoMotion 40-15S piston pump	EvoMotion 40-15 compact	EvoMotion 20-30S piston pump	EvoMotion 20-30 compact	Wildcat 18-40	Wildcat 10-70	Puma 28-40	Puma 15-70	Puma 21-110	Puma 15-150	Leopard 35-70	Leopard 35-150	Leopard 18-300	Jaguar 38-300
------------------------------	-------------------------	------------------------------	-------------------------	---------------	---------------	------------	------------	-------------	-------------	---------------	----------------	----------------	---------------

Mounting equipment														
Trolley 4" assy.	●	●	●	●	●	●	●	●	●	●				2325901
Wall holder 4" assy.	●	●	●	●	●	●	●	●	●					2332143
Stand 4" assy.	●	●	●	●	●		●							2332374
Trolley 6 assy.										●	●	●		2325916
Wall holder 6" assy.										●	●	●		2332145
Wall holder 9" assy.													●	369020
Trolley PC													●	2339705
Air supply														
Kit AirCoat air regulator EvoMotion	●	●	●	●										T6145.00A
Set AirCoat regulator IceBreaker					●	●	●	●	●	●	●	●	●	2328611
Suction system														
Suction hose DN16-SSt assy.	●		●		●	●	●	●	●	●	●			2324110
Suction pipe DN16-SSt assy.	●		●		●			●						2324158
Hopper set 5L for piston pumps	●	●	●		●	●	●			●				2332169
Hopper black				●										340265
Suction hose DN25-SSt assy.					●	●	●	●	●	●	●	●	●	2324116
Suction pipe assy. DN25					●	●	●	●	●	●	●	●	●	2323239
Pump outlet and material filter														
Ball valve-R1/4"-G1/4"-PN350-CS EM	●	●	●	●										2334472
Ball valve-R1/4"-G1/4"-PN530-SSt	●	●	●	●										2334488
Release combination PN270 IceBreaker					●	●	●	●	●	●	●			2329023
Inline filter DN6-PN270-G1/4"-SSt					●	●	●	●	●	●	●			2324558
Inline filter 90° assy. packed					●	●	●	●	●	●	●			2329026
HP-filter DN10-PN270-SSt IceBreaker					●	●	●	●	●	●	●	●	●	2329024
HP-filter DN12-PN530-SSt IceBreaker					●	●	●	●	●	●	●	●	●	2329025
Return line														
Return pipe DN6-G1/4"-100mm-PA	●	●	●	●	●	●	●	●	●	●	●	●	●	2331752
Return hose DN6-G1/4"-PA	●	●	●	●	●	●	●	●	●	●	●	●	●	2329046
Circulation hose DN6-G1/4"-1.8-PA	●	●	●	●	●	●	●	●	●	●	●	●	●	2331017
Circulation hose DN6-G1/4"-2.8-PA	●	●	●	●	●	●	●	●	●	●	●	●	●	2331014

Finishing piston pump accessories

Wagner offers a comprehensive accessories range for finishing piston pumps. Please select the components you require from this table. Further articles can be found in the WAGNER accessories catalog.

● Compatible with one another

EvoMotion 40-15S piston pump	EvoMotion 40-15 compact	EvoMotion 20-30S piston pump	EvoMotion 20-30 compact	Wildcat 18-40	Wildcat 10-70	Puma 28-40	Puma 15-70	Puma 21-110	Puma 15-150	Leopard 35-70	Leopard 35-150	Leopard 18-300	Jaguar 38-300
------------------------------	-------------------------	------------------------------	-------------------------	---------------	---------------	------------	------------	-------------	-------------	---------------	----------------	----------------	---------------

AirCoat Hose packages

	EvoMotion 40-15S piston pump	EvoMotion 40-15 compact	EvoMotion 20-30S piston pump	EvoMotion 20-30 compact	Wildcat 18-40	Wildcat 10-70	Puma 28-40	Puma 15-70	Puma 21-110	Puma 15-150	Leopard 35-70	Leopard 35-150	Leopard 18-300	Jaguar 38-300	
AC-hose-DN3-PN270-1/4"NPS-3,0m-PA-T	●	●	●	●	●	●	●	●	●	●	●				2322656
AC-Hose-DN3-PN270-1/4"NPS-7,5m-PA-T	●	●	●	●	●	●	●	●	●	●	●				2309705
AC-Hose-DN3-PN270-1/4"NPS-10,0m-PA-T	●	●	●	●	●	●	●	●	●	●	●				9984596
AC-Hose-DN4-PN270-1/4"NPS-7,5m-PA-T	●	●	●	●	●	●	●	●	●	●	●	●	●	●	2309706
AC-Hose-DN4-PN270-1/4"NPS-10,0m-PA-T	●	●	●	●	●	●	●	●	●	●	●	●	●	●	2312801
AC-Hose-DN4-PN270-1/4"NPS-15,0m-PA-T						●	●	●	●	●	●	●	●	●	2309634
AC-Hose-DN4-PN270-1/4"NPS-20,0m-PA-T						●	●	●	●	●	●	●	●	●	2309635

Airless material hose

	EvoMotion 40-15S piston pump	EvoMotion 40-15 compact	EvoMotion 20-30S piston pump	EvoMotion 20-30 compact	Wildcat 18-40	Wildcat 10-70	Puma 28-40	Puma 15-70	Puma 21-110	Puma 15-150	Leopard 35-70	Leopard 35-150	Leopard 18-300	Jaguar 38-300	
HP-Hose-DN3-PN270-1/4"NPS-7,5m-PA	●	●		●			●		●		●	●			9984583
HP-Hose-DN4-PN270-1/4"NPS-7,5m-PA	●	●		●			●		●		●				9984573
HP-Hose-DN4-PN270-1/4"NPS-10,0m-PA	●	●		●			●		●		●	●			2302374
HP-hose-DN3-PN270-1/4"NPSM-3,0m-PA	●	●		●			●		●		●				2323142
HP-Hose-DN6-PN270-1/4"NPS-10,0m-PA										●	●	●	●	●	9984418
HD-Schlauch-DN10-PN250-3/8"NPSM-15m-PA										●		●	●	●	2336583

Spraypacks finishing piston pumps

WAGNER offers a selection of predefined spraypacks. Please choose the spraypack most suitable for your requirements from the following table. You can also create your own individual spraypack, to do this either visit our web shop or contact your WAGNER sales partner.

● consists of

Feeding

Finishing piston pumps

SP EM 40-15 kompakt, U6S4001SHEA	SP EM 40-15 Upside-Down GM 4700 AC, 2350603	SP EM40-15 AG14AL, 2335075	SP EM40-15 GM4700AC, 2335175	SP EM40-15 AL, 2335287	SP EM20-30 GM4700AC, 2335176	SP EM20-30 AC, 2335086	SP EM20-30 GM4700AC-Hopper, 2335289	SP EM 20-30 kompakt, U6S20030HEA	SP EM 20-30 Upside-Down GM 4700 AC, 2365818
----------------------------------	---	----------------------------	------------------------------	------------------------	------------------------------	------------------------	-------------------------------------	----------------------------------	---

Mounting equipment											
Stand 4" assy.	●	●	●	●	●	●	●				2332374
4-wheel-trolley							●	●	●		T6196.00
Air supply											
Kit AirCoat air regulator EvoMotion	●	●		●		●	●	●	●	●	T6145.00A
Suction system											
Hopper black	●								●	●	340265
Suction pipe DN16-SSt assy.			●				●				2324158
Suction hose DN16-SSt assy.				●	●	●					2324110
Hopper set 5L for piston pumps								●			2332169
Pump outlet and material filter											
Ball valve-R1/4-G1/4-PN350-CS EM			●				●	●	●	●	2334472
Ball valve-R1/4"-G1/4-PN530-SSt				●	●	●					2334488
Return line											
Return pipe DN6-G1/4"-100mm-PA			●	●	●	●	●	●	●	●	2331752
Gun											
GM 4700AC 25MPa NPSM1/4"		●		●		●		●	●	●	2313585
Gun AG-14 f-thread 11/16" NPS1/4"			●								257017
Nozzles - flat jet											
nozzle ACF3000 13/40		●									379413
Standard tip 411			●								90411
Nozzle ACF3000 11/40				●		●		●	●	●	379411
Air caps - flat jet											
Air cap HV plus (blue / GM 4x00AC)		●									2313497
Air cap LV plus (red / GM 4x00AC)				●		●		●	●	●	2313494
AirCoat Hose packages											
AC-Hose-DN4-PN270-1/4"NPS-7,5m-PA-T		●		●		●		●	●	●	2309706
Airless material hose											
HP-Hose-DN4-PN270-1/4"NPS-7,5m-PA			●								9984573

Spraypacks finishing piston pumps

WAGNER offers a selection of predefined spraypacks. Please choose the spraypack most suitable for your requirements from the following table. You can also create your own individual spraypack, to do this either visit our web shop or contact your WAGNER sales partner.

● consists of

SP WildCat18-40 GM4100AC, 2335092	SP WildCat18-40 GM4700AC, 2335177	SP WildCat18-40 AC, 2335090	SP-VC Puma28-40 GM4700AC, 2335179	SP Puma28-40 GM4700AC-Stand, 2335290	SP Puma28-40 AC, 2335291	SP Leopard35-70 GM4700AC, 2335181	SP Leopard35-70 AG14AL, 2335182	SP Leopard 35-70 AL, 2335293
-----------------------------------	-----------------------------------	-----------------------------	-----------------------------------	--------------------------------------	--------------------------	-----------------------------------	---------------------------------	------------------------------

Mounting equipment										
Stand 4" assy.	●		●		●					2332374
Trolley 4" assy.		●		●		●				2325901
Trolley 6 assy.							●	●	●	2325916
Air supply										
Set AirCoat regulator IceBreaker	●	●	●	●	●	●	●			2328611
Suction system										
Suction hose DN16-SSt assy.	●		●		●					2324110
Suction hose DN25-SSt assy.		●		●		●	●	●	●	2324116
Pump outlet and material filter										
Release combination PN270 IceBreaker	●	●			●					2329023
Inline filter DN6-PN270-G1/4"-SSt		●								2324558
HP-filter DN10-PN270-SSt IceBreaker				●		●	●	●	●	2329024
Gun										
GM 4100AC 25MPa NPSM1/4"	●									394012
GM 4700AC 25MPa NPSM1/4"		●		●	●		●			2313585
Gun AG-14 for WagnerTip, NPS1/4"								●		257015
Nozzles - flat jet										
Nozzle ACF3000 11/40	●	●		●	●		●			379411
Nozzle WagnerTip 411								●		1088411
Air caps - flat jet										
Air cap LV plus (red / GM 4x00AC)	●	●		●	●		●			2313494
AirCoat Hose packages										
AC-Hose-DN4-PN270-1/4"NPS-7,5m-PA-T	●	●		●	●		●			2309706
Airless material hose										
HP-Hose-DN6-PN270-1/4"NPS-10,0m-PA								●		9984418

Protective coating piston pumps

With our large WAGNER IceBreaker piston pumps you are perfectly equipped for coatings with heavy corrosion protection. Whether in the production hall or offshore, these pumps fulfill all specific requirements such as robustness, reliability, a long service life and most importantly, an optimal spray pattern.

1. Reliable

The maintenance-free controller with extremely low pulsation ensures excellent reliability even in continuous operation.

2. User Friendliness

The integrated compact pressure regulator unit makes the setting of the pump pressure and the air flow of AirCoat applications an easy task.

3. Under Full Pressure

Regardless of the air motor pressure, the controller is always fed by full pressure. Thus the pump operates reliably, even with very low working pressure, without getting stuck.

4. Optimum Service

Fast and easy flushing and cleaning. Servicing without special tools. If necessary, it is possible to replace the complete fluid section in a few steps.

5. Equipped for Every Application

The fluid section is completely made of stainless steel and ensures a long service life with minimum wear even when used with abrasive, chemical, or corrosive materials.

6. High-performance vacuum

Large valve cross-sections and large pump volumes ensure safe suction, even for high-viscosity and abrasive materials.



Overview WAGNER Protective coating piston pumps

Wagner offers a comprehensive protective coating piston pump range. Please choose the perfect solution for your requirements from the following table. Further information can be found directly on the product pages.

	Leopard 48-110	Jaguar 75-150	Jaguar 55-200	PROTEC 60-240	Tiger 72-300
Material properties					
Water-based products	●	●	●	●	●
Solvent-based products	●	●	●	●	●
Low viscosity (<40 sec. DIN No. 4)	●	●	●	●	●
Medium viscosity (40 ... 60 sec. DIN No. 4)	●	●	●	●	●
High viscosity (>60 sec. DIN No. 4)	●	●	●	●	●
UV sensitive products	●	●	●	●	●
Shear sensitive products	●	●	●	●	●
Humidity sensitive products	●	●	●	●	●
Basic atomization					
Airspray					
AirCoat 160 bar max					
AirCoat 250 bar max					
Airless 270 bar max					
Airless 400 bar max	●		●	●	
Airless 530 bar max		●			●
Liquid feeding					
Max. number of guns					
1 gun, nozzle 0.017"	●	●	●	●	●
2 guns, nozzle 0.017"	●	●	●	●	●
3 guns, nozzle 0.017"		●	●	●	●
4 guns, nozzle 0.017"			●	●	●
1 gun, nozzle 0.021"	●	●	●	●	●
2 guns, nozzle 0.021"	●	●	●	●	●
3 guns, nozzle 0,021"		●	●	●	●
4 guns, nozzle 0.021"					●

- very suitable
- suitable to a limited extent

Leopard 48-110 piston pump

High-pressure piston pumps



High pressure piston pump, stainless steel, for Airless applications up to 370 bar and 6.6 L/min. Ideal, for example, for industrial coating in the metals industries and for smaller protective coating applications, long hose lines.



Technical data	
Multiplication ratio	48 :1
Operating pressure	370 bar, 5366 PSI
Volumetric flow per double stroke	110 cm ³ /DS, 6,71 in ³ /DH
Volumetric flow per 60 double strokes	6.6 l/min
Max. stroke rate	60 DS/min
Material inlet	M-M 36x2
Material outlet	M-M 24x1,5
Air inlet pressure	2,5 – 8,0 bar, 36 – 116 PSI
Sound level at 6 bar air pressure	74 dB(A)
Material temperature	5 – 80 °C, 41 – 176 °F
Ambient temperature	5 – 50 °C, 41 – 122 °F
Material pH	3.5 – 9 pH
Max. material pressure at pump inlet	20 bar, 290 PSI
Allowable inclination	±10 °
Weight	36,0 kg, 79.4 lb

Feeding

Protective coating piston pumps

Material wetted parts

- Tungsten carbide
- Stainless steel
- Hard chrome
- PTFE
- Packing material depending on pump type

Included Items

- Pump, incl. air pressure regulator
- Separating agent bottle 250 cm³
- Operating manual
- CE Declaration of Conformity

Ordering information

- In addition to the basis pump, a version with trolley and material filter, as well as a ready-to-spray spraypack with G 15 guns and material hose are available.

Product variants	Art. No.
PistonP. Leopard 48-110 PE/TG	2329490
SP Leopard 48-110 Trolley	2339863
SP Leopard 48-110 GM 1-530 trolley	2352764

Service sets	Art. No.
Service kit fluid section 110 ccm PE+TG	368997
Spare part set fluid section PP110 PE+T	2304930
Service kit fluid section PP110 PE+L	2319924
Service kit airmotor 6"	368995

Jaguar 75-150

High-pressure piston pumps

High pressure piston pump, stainless steel, for Airless applications up to 530 bar and 9 L/min. Extremely robust and ideal for heavy corrosion protection.



Technical data	
Multiplication ratio	75 :1
Operating pressure	530 bar, 7687 PSI
Volumetric flow per double stroke	150 cm ³ /DS, 9,15 in ³ /DH
Volumetric flow per 60 double strokes	9 l/min
Max. stroke rate	60 DS/min
Material inlet	F-G 1 1/2"
Material outlet	M-M 24x1,5
Air inlet pressure	2,5 – 7,1 bar, 36 – 103 PSI
Sound level at 6 bar air pressure	81 dB(A)
Material temperature	5 - 80 °C, 41 - 176 °F
Ambient temperature	5 – 50 °C, 41 – 122 °F
Material pH	3.5 – 9 pH
Max. material pressure at pump inlet	20 bar, 290 PSI
Allowable inclination	±10 °
Weight	53,0 kg, 116.9 lb

Material wetted parts

- Tungsten carbide
- Stainless steel
- Hard chrome
- PTFE
- Packing material depending on pump type

Included Items

- Pump, incl. air pressure regulator
- Separating agent bottle 250 cm³
- Operating manual
- CE Declaration of Conformity

Ordering information

- In addition to the basis pump, spraypacks with trolley and high-pressure filter/ release are available as well as a ready-to-spray spraypack with suction hose, material hose and gun, including separate air filter.

Product variants	Art. No.
PistonP. Jaguar 75-150-PC PE/TG	2339845
SP Jaguar 75-150 Trolley	2339867
SP Jaguar 75-150 Trolley-w/o HP-filter	2347528
SP Jaguar 75-150 GM-1 Trolley	2352765
SP Jaguar 75-150 GM 1-530 Troll-w/o HP-f	2352857

Service sets	Art. No.
Service Set Fluidsec. 70/150 ccm PE+TG	368990
Service set fluid seccion 70/150 PE+L	2342071
Service kit airmotor 9"	369987

Jaguar 55-200

High-pressure piston pumps



High pressure piston pump, stainless steel, for Airless applications up to 440 bar and 12 L/min. Extremely robust and ideal for heavy corrosion protection.



Technical data	
Multiplication ratio	55 :1
Operating pressure	440 bar, 6382 PSI
Volumetric flow per double stroke	200 cm ³ /DS, 12,20 in ³ /DH
Volumetric flow per 60 double strokes	12 l/min
Max. stroke rate	60 DS/min
Material inlet	F-G 1 1/2"
Material outlet	M-M 24x1,5
Air inlet pressure	2,5 – 8,0 bar, 36 – 116 PSI
Sound level at 6 bar air pressure	81 dB(A)
Material temperature	5 – 80 °C, 41 – 176 °F
Ambient temperature	5 – 50 °C, 41 – 122 °F
Material pH	3.5 – 9 pH
Max. material pressure at pump inlet	20 bar, 290 PSI
Allowable inclination	±10 °
Weight	53,0 kg, 116.9 lb

Feeding

Protective coating piston pumps

Material wetted parts

- Tungsten carbide
- Stainless steel
- Hard chrome
- PTFE
- Packing material depending on pump type

Included Items

- Pump, incl. air pressure regulator
- Separating agent bottle 250 cm³
- Operating manual
- CE Declaration of Conformity

Ordering information

- In addition to the basis pump, spraypacks with trolley and high-pressure filter/ release are available as well as a ready-to-spray spraypack with suction hose, material hose and gun, including separate air filter.

Product variants	Art. No.
PistonP. Jaguar 55-200-PC PE/TG	2339846
SP Jaguar 55-200 on trolley	2339871
SP Jaguar 55-200 GM 1-530 trolley	2352766

Service sets	Art. No.
Service Set Fluidsec. 200 PE+TG	2341476
Service Set Fluidsec. 200 PE+L	2342072
Service kit airmotor 9"	369987

PROTEC 60-240

High-pressure piston pumps

High pressure piston pump, stainless steel, for Airless applications up to 480 bar and 14.4 l/min. Extremely robust and ideal for heavy corrosion protection.



Technical data	
Multiplication ratio	60 :1
Operating pressure	480 bar, 6962 PSI
Volumetric flow per double stroke	240 cm ³ /DS, 14,65 in ³ /DH
Volumetric flow per 60 double strokes	14.4 l/min
Max. stroke rate	60 DS/min
Material inlet	F-G 1 1/2"
Material outlet	M-M 24x1,5
Air inlet pressure	2,5 – 8,0 bar, 36 – 116 PSI
Sound level at 6 bar air pressure	81 dB(A)
Material temperature	5 - 80 °C, 41 - 176 °F
Ambient temperature	5 – 50 °C, 41 – 122 °F
Material pH	3.5 – 9 pH
Max. material pressure at pump inlet	20 bar, 290 PSI
Allowable inclination	±10 °
Weight	58,0 kg, 127.9 lb

Material wetted parts

- Tungsten carbide
- Stainless steel
- Hard chrome
- PTFE
- Packing material depending on pump type

Included Items

- Pump, incl. air pressure regulator
- Separating agent bottle 250 cm³
- Operating manual
- CE Declaration of Conformity

Ordering information

- In addition to the basis pump, spraypacks with trolley and high pressure filter/ release are available as well as
- a ready-to-spray spraypack with suction hose, product hose and gun, including separate air filter.

Product variants	Art. No.
PistonP. PROTEC 60-240 PE/TG	2351205
SP PROTEC 60-240 on trolley	2352274
SP PROTEC 60-240 GM 1-530 trolley	2352275

Service sets	Art. No.
Service kit airmotor 10"	2353088
Service Set Fluidsec. 240 PE+TG	2352899
Service Set Fluidsec. 240 PE+T	2353055

Tiger 72-300

High-pressure piston pumps



High pressure piston pump, stainless steel, for Airless applications up to 530 bar and 12 L/min with critical material. Ideal for thick coat corrosion protection with large material application, multiple gun use.



Technical data

Multiplication ratio	72 :1
Operating pressure	530 bar, 7687 PSI
Volumetric flow per double stroke	300 cm ³ /DS, 18,31 in ³ /DH
Volumetric flow per 40 DH	12 l/min
Max. stroke rate	40 DS/min
Material inlet	F-G 1 1/2"
Material outlet	M-M 24x1,5
Air inlet pressure	2,5 – 7,4 bar, 36 – 107 PSI
Sound level at 6 bar air pressure	80 dB(A)
Material temperature	5 – 80 °C, 41 – 176 °F
Ambient temperature	5 – 50 °C, 41 – 122 °F
Material pH	3.5 – 9 pH
Max. material pressure at pump inlet	20 bar, 290 PSI
Allowable inclination	±10 °
Weight	80,0 kg, 176.4 lb

Feeding

Protective coating piston pumps

Material wetted parts

- Tungsten carbide
- Stainless steel
- Hard chrome
- PTFE
- Packing material depending on pump type

Included Items

- Pump, incl. air pressure regulator
- Separating agent bottle 250 cm³
- Operating manual
- CE Declaration of Conformity

Ordering information

- In addition to the basis pump, spraypacks with trolley and high-pressure filter/ release are available as well as a ready-to-spray spraypack with suction hose, material hose and gun, including separate air filter.

Product variants	Art. No.
PistonP. Tiger 72-300-PC PE/L	2339847
SP Tiger 72-300 Trolley	2339873
SP Tiger 72-300 GM 1-530 Trolley	2352767

Service sets	Art. No.
Service kit airmotor 12	370987
Service kit fluid section 300 ccm PE+TG	369990
Service kit fluid section 300 ccm PE+L	370989

Protective coating piston pump accessories

Wagner offers a comprehensive accessories range for protective coating piston pumps. Please select the components you require from this table. Further articles can be found in the WAGNER accessories catalog.

● Compatible with one another

	Leopard 48-110 p	Jaguar 75-150	Jaguar 55-200	PROTEC 60-240	Tiger 72-300	
Mounting equipment						
Wall holder 6" assy.	●					2332145
Trolley 6 assy.	●					2325916
Trolley PC	●	●	●	●	●	2339705
Wall holder 9" assy.		●	●	●	●	369020
Air supply						
Air filter set PC		●	●	●	●	2339851
Suction system						
Suction pipe assy. DN25	●					2323239
Suction hose DN25-SSt assy.	●					2324116
SSt-suction pipe-G1½"-270-cpl.	●	●	●	●	●	370151
SSt-suction pipe-G1½"-475-cpl.		●	●	●	●	369151
suction system DN 38-PC cpl.		●	●	●	●	2325815
Fitting-DF-MM-R1½"-M36-PIN15-SSt*		●	●	●	●	2329563
Pump outlet and material filter						
HP-filter DN12-PN530-SSt IceBreaker	●	●	●	●	●	2329025
HD-Filter DN12-PN530-CS kpl.	●	●	●	●	●	2339900
Release combination PC	●	●	●	●	●	2347275
Return line						
Return pipe DN6-G1/4"-100mm-PA	●	●	●	●	●	2331752
Return hose DN6-G1/4"-PA	●	●	●	●	●	2329046
Circulation hose DN6-G1/4"-1.8-PA	●	●	●	●	●	2331017
Circulation hose DN6-G1/4"-2.8-PA	●	●	●	●	●	2331014
Airless material hose						
HP-Hose-DN10-PN530-3/8"NPS-15,0m-PA	●	●	●	●	●	9987118
HP-Hose-DN6-PN530-¼"NPS-10,0m-PA	●	●	●	●	●	9984421
Fitting-DF-MM-1/4NPSM-3/8NPSM-530bar-SSt	●	●	●	●	●	367561
HP-Hose-DN6-PN530-¼"NPS-1,5m-PA	●	●	●	●	●	9987117
Heater sets						
Heater set PC	●	●	●	●	●	2339728

*Double-fitting MM R11/2" - M36 for mounting of the suction hose DN25 on the PROTEC piston pumps.

Spraypacks Protective Coating piston pumps

WAGNER offers a selection of predefined spraypacks. Please choose the spraypack most suitable for your requirements from the following table. You can also create your own individual spraypack, to do this either visit our web shop or contact your WAGNER sales partner.

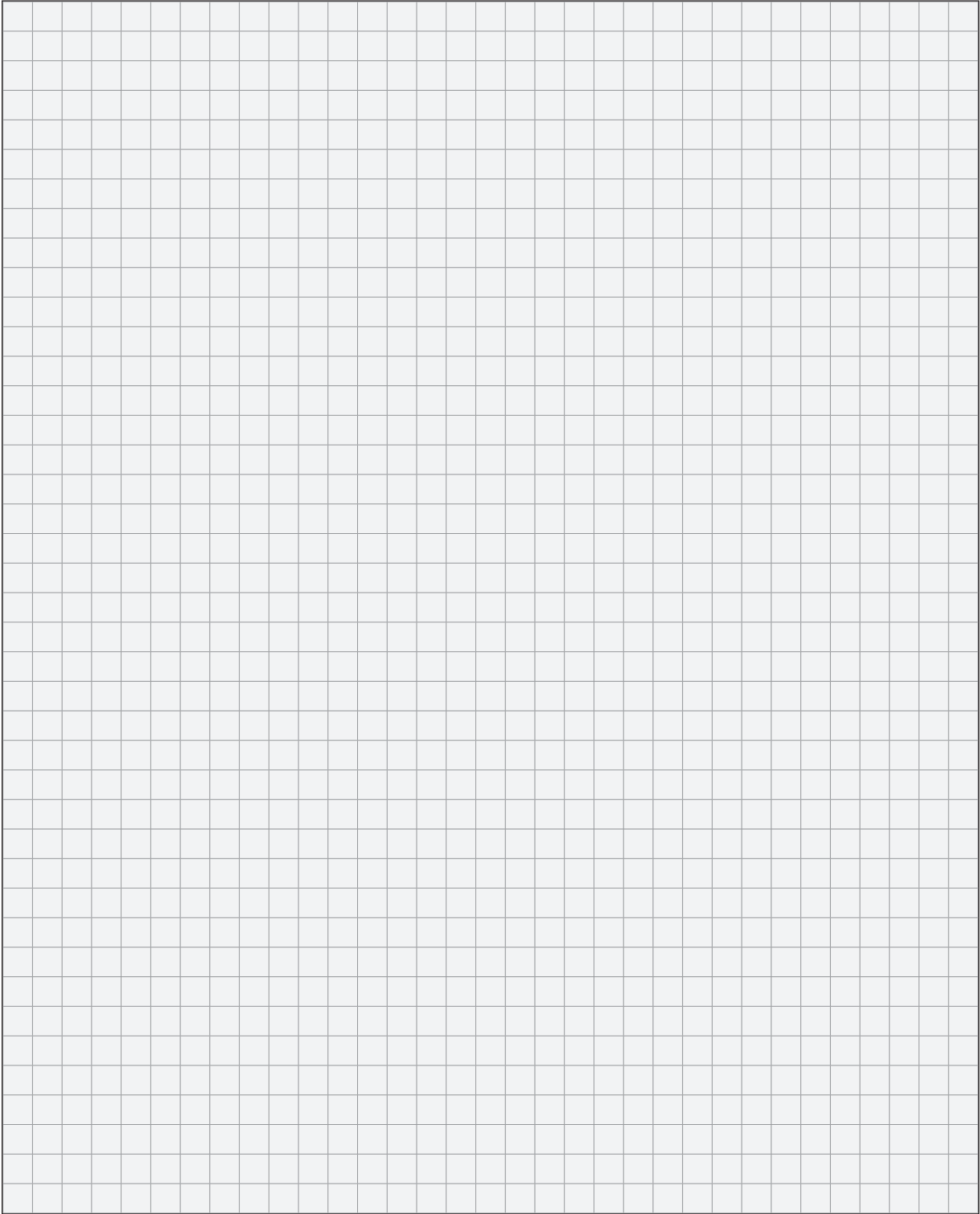
● consists of

Feeding

Protective coating piston pumps

SP Leopard 48-110 GM 1-530 trolley, 2352764	SP Leopard 48-110 AL-gun trolley, 2339866	SP Jaguar 75-150 Trolley, 2339867	SP Jaguar 75-150 GM 1-530 Troll-w/o HP-f, 2352857	SP Jaguar 75-150 GM-1 Trolley, 2352765	SP Jaguar 55-200 on trolley, 2339871	SP Jaguar 55-200 GM 1-530 trolley, 2352766	SP PROTEC 60-240 on trolley, 2352274	SP PROTEC 60-240 GM 1-530 trolley, 2352275	SP Tiger 72-300 Trolley, 2339873	SP Tiger 72-300 GM 1-530 Trolley, 2352767
---	---	-----------------------------------	---	--	--------------------------------------	--	--------------------------------------	--	----------------------------------	---

Mounting equipment												
Trolley PC	●	●	●	●	●	●	●	●	●	●	●	2339705
Air supply												
Air filter set PC				●	●		●		●		●	2339851
Suction system												
Suction hose DN25-SSst assy.	●	●										2324116
Suction system DN 38-PC cpl.				●	●		●		●		●	2325815
Fitting-EF-FM-G1 1/2-G1 1/2-PN25-TG				●	●		●		●		●	2329019
Fitting-DF-MM-G1½" - Rd55x1/6"-PN25-CS				●	●		●		●		●	2336489
Pump outlet and material filter												
HD-Filter DN12-PN530-CS kpl.	●	●	●		●	●	●	●	●	●	●	2339900
Release combination PC				●								2347275
Return line												
Return pipe DN6-G1/4"-100mm-PA	●	●	●	●	●	●	●	●	●	●	●	2331752
Gun												
GM 1-530	●			●	●		●		●		●	2349287
Nozzles - flat jet												
PROTEC TIP reversible tip 517	●	●										556517
PROTEC TIP reversible tip 521				●			●		●		●	556521
Airless material hose												
HP-Hose-DN6-PN530-¼"NPS-10,0m-PA	●	●										9984421
HP-Hose-DN10-PN530-3/8"NPS-15,0m-PA				●	●		●		●		●	9987118
HP-Hose-DN6-PN530-¼"NPS-1,5m-PA				●	●		●		●		●	9987117
Fitting-DF-MM-1/4NPSM-3/8NPSM-530bar-SSst				●	●		●		●		●	367561



Low-pressure piston pumps for product feeding

The WAGNER IceBreaker low pressure piston pumps are the ideal solution for reliable and low-maintenance paint supply systems of all sizes. The strong and energy-efficient air motors always have sufficient reserves even at large material flow rates and work entirely without icing – especially in continuous operation.

1. High Reliability

The maintenance-free controller with extremely low pulsation ensures excellent reliability even in continuous operation.

2. User Friendliness

The integrated compact pressure regulator unit makes the setting of the pump pressure and the air flow (of AirCoat applications) an easy task.

3. Well-arranged

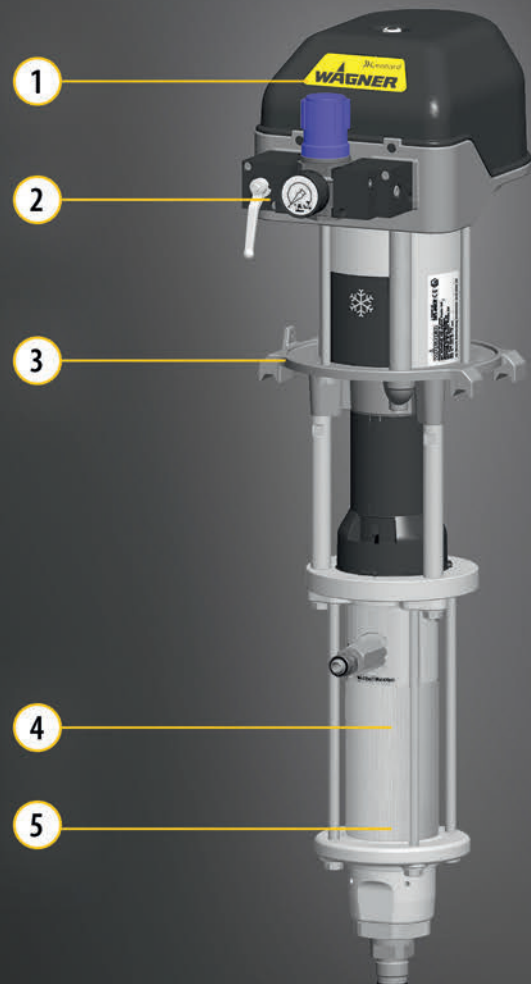
Using a standardized mounting interface, the pump may be fixed easily and safely to wall mounting, trolley or frame.

4. Universal Application

The fluid section is completely made of stainless steel and ensures a long service life with minimum wear even when used with abrasive, chemical, or corrosive materials.

5. Optimum Service

The self-adjusting packages may be adjusted without any special tools.



Overview WAGNER low-pressure piston pumps

Wagner offers a comprehensive low-pressure piston pump range. Please choose the perfect solution for your requirements from the following table. Further information can be found in the product pages.

	EvoMotion 5-60S	EvoMotion 5-125	Puma 3-600	Puma 8-300	Leopard 8-600
Material properties					
Water-based products	●		●	●	●
Solvent-based products	●	●	●	●	●
Low viscosity (<40 sec. DIN No. 4)	●	●	●	●	●
Medium viscosity (40 ... 60 sec. DIN No. 4)	●	●		●	●
High viscosity (>60 sec. DIN No. 4)	●			●	●
UV sensitive products			●	●	●
Shear sensitive products			●	●	●
Humidity sensitive products			●	●	●
Basic atomization					
Airspray	●			●	
AirCoat 160 bar max					
AirCoat 250 bar max					
Airless 270 bar max					
Airless 400 bar max					
Airless 530 bar max					
Liquid feeding	●	●	●	●	●

- very suitable
- suitable to a limited extent

EvoMotion 5-60S piston pump

Low-pressure piston pump



Low-pressure feed pump for Airspray applications with high-viscosity material or long hose lines. Up to 40 bar and 3.6 L/min.



Technical data	
Multiplication ratio	5 :1
Operating pressure	40 bar, 580 PSI
Volumetric flow per double stroke	60 cm ³ /DS, 3,66 in ³ /DH
Volumetric flow per 60 double strokes	3.6 l/min
Max. stroke rate	60 DS/min
Material inlet	M-M36x2
Material outlet	F-G 3/8"
Air inlet connection	8 mm
Air inlet pressure	2,5 – 8,0 bar, 36 – 116 PSI
Sound level at 6 bar air pressure	63 dB(A)
Material temperature	5 - 80 °C, 41 - 176 °F
Ambient temperature	5 – 50 °C, 41 – 122 °F
Material pH	3.5 – 9 pH
Max. material pressure at pump inlet	20 bar, 290 PSI
Allowable inclination	±10 °
Weight	13,0 kg, 28.7 lb

Material wetted parts

- Stainless steel
- PTFE
- PA

Included Items

- EvoMotion 5-60S piston pump
- Release agent 250 ccm
- CE declaration of conformity
- User manual

Ordering information

- The air regulator, suction system, material filter and mounting accessories must be selected from the accessories program in addition to the pump.

Product variants	Art. No.
PistonP. EvoMotion 5-60 PE/T	2329535

Service sets	
Service set material pump 60 EM	T9097.00

EvoMotion 5-125

Low-pressure piston pump

BE 5-125 piston pump on drum suction system, without air pressure regulator and without filter antipulsation tank



Technical data	
Multiplication ratio	5 :1
Operating pressure	40 bar, 580 PSI
Volumetric flow per double stroke	125 cm ³ /DS, 7,63 in ³ /DH
Volumetric flow per 60 double strokes	7.5 l/min
Max. stroke rate	60 DS/min
Material inlet	Schöpfkolben
Material outlet	F-G 1/2"
Air inlet connection	8 mm
Air inlet pressure	2,5 – 8,0 bar, 36 – 116 PSI
Sound level at 6 bar air pressure	69 dB(A)
Material temperature	5 - 80 °C, 41 - 176 °F
Ambient temperature	5 – 50 °C, 41 – 122 °F
Material pH	3.5 – 9 pH
Max. material pressure at pump inlet	20 bar, 290 PSI
Allowable inclination	±10 °
Weight	25,0 kg, 55.1 lb

Material wetted parts

- Carbon steel
- Stainless steel
- TF-PE

Included Items

- Pump without air regulator
- Separating agent 250 cm³
- CE Declaration of Conformity
- Operating manual

Ordering information

- The air regulator, suction system, material filter and mounting accessories must be selected from the accessories program in addition to the pump.

Product variants	Art. No.
EvoMotion 5-125 PE/T	U1B05125D

Service sets	
Reversing valve IS01	P498.00
Seal kit M 80 T910.00	T910.00
Service-Set EvoMotion fluid section	T958.00AE

Puma 8-300

Low-pressure piston pump



Low-pressure piston pump, stainless steel for feed and circulating systems up to 15 L/min



Technical data	
Multiplication ratio	8 : 1
Operating pressure	64 bar, 928 PSI
Volumetric flow per double stroke	300 cm ³ /DS, 18,31 in ³ /DH
Volumenstrom per 50 DH	15 l/min
Max. stroke rate	50 DS/min
Material inlet	M-M 36x2
Material outlet	M-M 24x1,5
Air inlet pressure	2,5 – 8,0 bar, 36 – 116 PSI
Sound level at 6 bar air pressure	74 dB(A)
Material temperature	5 – 80 °C, 41 – 176 °F
Ambient temperature	5 – 50 °C, 41 – 122 °F
Material pH	3.5 – 9 pH
Max. material pressure at pump inlet	20 bar, 290 PSI
Allowable inclination	±10 °
Weight	32,0 kg, 70.6 lb

Feeding

Feeding pumps

Material wetted parts

- Tungsten carbide
- Stainless steel
- Hard chrome
- PTFE
- Packing material depending on pump type

Included Items

- Puma 8-300
- Release agent 250 cm³
- CE declaration of conformity
- User manual

Ordering information

- The air regulator, suction system, material filter and mounting accessories must be selected from the accessories program in addition to the pump.

Product variants	Art. No.
PistonP. Puma 8-300	2329527
PistonP. Puma 8-300 PE/T	2329529

Service sets	Art. No.
Service kit airmotor 4"	367995
Service kit fluid section 300 ccm PE+TG	369990
Service kit fluid section 300 ccm PE+L	370989

Puma 3-600

Low-pressure piston pump

Low-pressure piston pump, stainless steel for larger feed and circulating systems up to 30 L/min.



Technical data	
Multiplication ratio	3 : 1
Operating pressure	24 bar, 348 PSI
Volumetric flow per double stroke	600 cm ³ /DS, 36,61 in ³ /DH
Volumenstrom per 50 DH	30 l/min
Max. stroke rate	50 DS/min
Material inlet	M-G 1 1/2"
Material outlet	M-M 24x1,5
Air inlet connection	F-G 1/2"
Air inlet pressure	2,5 – 8,0 bar, 36 – 116 PSI
Sound level at 6 bar air pressure	74 dB(A)
Material temperature	5 - 80 °C, 41 - 176 °F
Ambient temperature	5 – 50 °C, 41 – 122 °F
Material pH	3.5 – 9 pH
Max. material pressure at pump inlet	20 bar, 290 PSI
Allowable inclination	±10 °
Weight	35,0 kg, 77.2 lb

Material wetted parts

- Tungsten carbide
- Stainless steel
- Hard chrome
- PTFE
- Packing material depending on pump type

Included Items

- Puma 3-600
- Release agent 250 cm³
- CE declaration of conformity
- User manual

Ordering information

- The air regulator, suction system, material filter and mounting accessories must be selected from the accessories program in addition to the pump.

Product variants	Art. No.
PistonP. Puma 3-600 USA	2329531

Service sets	Art. No.
Service kit airmotor 4"	367995
Service kit fluid section 600 ccm PE/TG	369989

Leopard 8-600

Low-pressure piston pump

Low-pressure piston pump, stainless steel for larger feed and circulating systems up to 30 L/min.



Feeding

Feeding pumps

Technical data	
Multiplication ratio	8 : 1
Operating pressure	64 bar, 928 PSI
Volumetric flow per double stroke	600 cm ³ /DS, 36,61 in ³ /DH
Volumenstrom per 50 DH	30 l/min
Max. stroke rate	50 DS/min
Material inlet	M-G 1/2"
Material outlet	M-M 24x1,5
Air inlet connection	F-G 1/2"
Air inlet pressure	2,5 – 8,0 bar, 36 – 116 PSI
Sound level at 6 bar air pressure	74 dB(A)
Material temperature	5 - 80 °C, 41 - 176 °F
Ambient temperature	5 – 50 °C, 41 – 122 °F
Material pH	3.5 – 9 pH
Max. material pressure at pump inlet	20 bar, 290 PSI
Allowable inclination	±10 °
Weight	43,0 kg, 94.8 lb

Material wetted parts

- Tungsten carbide
- Stainless steel
- Hard chrome
- PTFE
- Packing material depending on pump type

Included Items

- Leopard 8-600
- Release agent 250 cm³
- CE declaration of conformity
- User manual

Ordering information

- The air regulator, suction system, material filter and mounting accessories must be selected from the accessories program in addition to the pump.

Product variants	Art. No.
PistonP. Leopard 8-600 PE/TG	2329533

Service sets	Art. No.
Service kit airmotor 6"	368995
Service kit fluid section 600 ccm PE/TG	369989

Low-pressure piston pump accessories

WAGNER offers a comprehensive accessories range for low-pressure piston pumps. Please select the components you require from this table. Further articles can be found in the WAGNER accessories catalog.

● Compatible with one another

	Puma 8-300	Puma 3-600	Leopard 8-600	EvoMotion 5-605	EvoMotion 5-125
--	------------	------------	---------------	-----------------	-----------------

Mounting equipment					
Wall holder 4" assy.	●	●		●	2332143
Trolley 4" assy.	●	●		●	2325901
Wall holder 6" assy.			●		2332145
Stand 4" assy.				●	2332374
Air supply					
Kit Air regulator				●	T6140.00
Suction system					
Suction pipe assy. DN25	●	●	●	●	2323239
Suction hose DN25-SSt assy.	●	●	●	●	2324116
Suction pipe DN16-SSt assy.				●	2324158
Suction hose DN16-SSt assy.				●	2324110
Hopper set 5L for piston pumps				●	2332169
Pump outlet and material filter					
HP-filter DN12-PN530-SSt IceBreaker	●	●	●		2329025
HP-filter DN10-PN270-SSt IceBreaker	●	●	●		2329024
Ball valve-R1/4"-G1/4-PN530-SSt				●	2334488
Ball valve-R1/4"-G1/4-PN350-CS EM				●	2334472
Return line					
Return pipe DN6-G1/4"-100mm-PA	●	●	●	●	2331752
Return hose DN6-G1/4"-PA	●	●	●	●	2329046
Circulation hose DN6-G1/4"-1.8-PA	●	●	●	●	2331017
Circulation hose DN6-G1/4"-2.8-PA	●	●	●	●	2331014

Finishing high-pressure diaphragm pumps

Feeding

The Cobra is the first high-pressure pump without packing. No friction in the fluid section and minimum shear, making it suitable for sensitive and reactive paints such as UV, acrylics, isocyanate. The pump works virtually without pulsations and allows an absolute uniform paint flow for a perfect spray jet and highest surface quality. The reduced internal volume allows for a significantly reduced solvent consumption during flushing. Thus the Cobra is the ideal pump for frequent paint changes.

1. Reliability

High reliability and reduced maintenance costs thanks to long-life diaphragm and minimal wear.

2. Proven WAGNER IceBreaker air motor

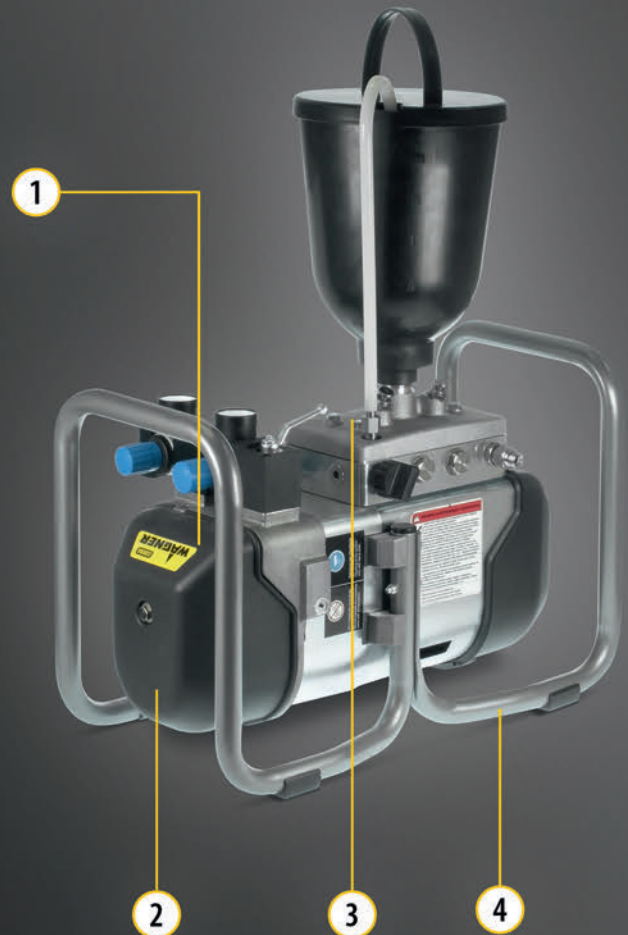
- Minimal freezing thanks to an intelligent internal geometry
- Pneumatic control without pneumatic oil
- Solid control housing with integrated silencer

3. Cost-effectiveness

Drastic reduction of the solvent consumption during flushing thanks to a minimized fluid section.

4. Flexibility

The pump may be used horizontally and vertically.



High pressure diaphragm pumps

Cobra 40-10

High-pressure diaphragm pump

High pressure, double diaphragm pump, Consistal. For AirCoat and Airless applications up to 2.5 l/min and 250 bar. Ideal for everything from the individual lacquer station to complex multi-paint systems.



Technical data	
Multiplication ratio	40 :1
Max. material pressure at pump inlet	20 bar, 290 PSI
Material inlet	M-M 3/6x2
Material outlet	M-G 3/8"
Material temperature	10 - 80 °C, 50.0 - 176.0 °F
Air inlet pressure	2,5 - 6,0 bar, 36 - 87 PSI
Air inlet connection	F-G 1/2"
Operating pressure	250 bar, 3626 PSI
Max. stroke rate	200 DS/min
Volumetric flow per double stroke	10 cm ³ /DS, 0,61 in ³ /DH
Ambient temperature	10 - 60 °C, 50 - 140 °F
Weight	19,0 kg, 41.9 lb
Max. sound level	74 dB(A)
Material pH	3,5 - 9,0 pH

Material wetted parts

- Tungsten carbide
- Stainless steel
- Consistal
- PA

Included Items

- Cobra 40-10
- Sign
- Ground cable assy.
- Double open-end wrench
- CE declaration of conformity
- User manual

Ordering information

- Spraypack consisting of pump with frame, top tank, air regulator, hose set, and AirCoat gun
- The desired spraypack can be created using the basic pump and a selection from our comprehensive accessories range.

Product variants	Art. No.
DiaphragmP. Cobra 40-10	2329519
DiaphragmP. Cobra 40-10 frame	2329521
SP cobra 40-10 GM4700AC/base frame	2342248
Spraypack cobra 40-10 GM4100/base frame	2342245
SP Cobra 40-10 trolley cup	2352331
SP Cobra 40-10 GM4700 trolley cup	2352333

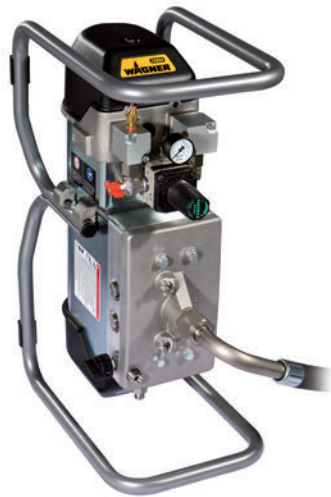
Service sets	Art. No.
Service set paint stage Cobra 40-10	2312288
Kit inlet valve asm. Cobra 40-10	322914
Service-Kit outlet valve	322915
Service kit airmotor Cobra 40-10	2341627
Set diaphragm asm. with inlet	322913

Cobra 40-25

High-pressure diaphragm pump



High-pressure piston diaphragm pump. Universally applicable for aggressive, abrasive, and shear-sensitive materials. Extremely low flushing agent consumption. For all applications up to 250 bar and 5 L/min, multiple gun use.



Technical data	
Multiplication ratio	40 :1
Max. material pressure at pump inlet	20 bar, 290 PSI
Material inlet	M-M 3/6x2
Material outlet	M-G 3/8"
Material temperature	10 - 80 °C, 50.0 - 176.0 °F
Air inlet pressure	2,5 - 6,3 bar, 36 - 91 PSI
Air inlet connection	F-G 1/2"
Operating pressure	250 bar, 3626 PSI
Max. stroke rate	200 DS/min
Volumetric flow per double stroke	25 cm ³ /DS, 1,53 in ³ /DH
Ambient temperature	10 - 60 °C, 50 - 140 °F
Weight	32,0 kg, 70.6 lb
Max. sound level	76 dB(A)
Material pH	3,5 - 9,0 pH
Min. air inlet Ø	19 mm, 0.7 in.

Material wetted parts

- Tungsten carbide
- Stainless steel
- Consistal
- PA

Included Items

- Cobra 40-25
- Sign
- Ground cable assy.
- Double open-end wrench
- CE declaration of conformity
- User manual

Ordering information

- The desired spraypack can be created using the basic pump and a selection from our comprehensive accessories range.

Product variants	Art. No.
DiaphragmP. Cobra 40-25	2329523
DiaphragmP.Cobra 40-25 frame	2329525

Service sets	
Service kit airmotor Cobra 40-25	2341628
Service set paint stage Cobra 40-25	2312289
Kit inlet valve assy. Cobra 40-25	2308753
Service-Kit outlet valve	2308760
Set diaphragm assy. Cobra 40-25 + inlet	2308754

High pressure diaphragm pump accessories

Wagner offers a comprehensive accessories range for high-pressure diaphragm pumps. Please select the components you require from this table. Further articles can be found in the WAGNER accessories catalog.

● Compatible with one another

	Cobra 40-10	Cobra 40-25	
Mounting equipment			
Stand Cobra	●		322052
Wall holder 4" assy.	●	●	2332143
Trolley Cobra assy.	●	●	2341375
Base frame Cobra 40-25		●	2308732
Air supply			
Set AirCoat regulator IceBreaker	●	●	2328611
Suction system			
Suction hose DN16-SSt assy.	●	●	2324110
Suction hose DN25-SSt assy.	●	●	2324116
20 liter container	●	●	2341278
2L-cup Cobra assy.	●		2344741
Hopper-set 5L-Cobra	●	●	2344505
Pump outlet and material filter			
Inline filter DN6-PN270-G1/4"-SSt	●		2324558
AirCoat Hose packages			
AC-Hose-DN4-PN270-1/4"NPS-7,5m-PA-T	●	●	2309706
AC-Hose-DN4-PN270-1/4"NPS-20,0m-PA-T	●	●	2309635
AC-Hose-DN4-PN270-1/4"NPS-15,0m-PA-T	●	●	2309634
AC-Hose-DN4-PN270-1/4"NPS-10,0m-PA-T	●	●	2312801
AC-Hose-DN3-PN270-1/4"NPS-10,0m-PA-T		●	9984596
AC-Hose-DN3-PN270-1/4"NPS-7,5m-PA-T		●	2309705
Airless material hose			
HP-Hose-DN4-PN270-1/4"NPS-7,5m-PA	●	●	9984573
HP-Hose-DN4-PN270-1/4"NPSM-10m-PA	●	●	9984573-10
HP-Hose-DN4-PN270-1/4"NPS-15,0m-PA	●	●	9984573-15
HP-Hose-DN4-PN270-1/4"NPS-20,0m-PA	●	●	9984573-20
HP-Hose-DN6-PN270-1/4"NPS-10,0m-PA	●	●	9984418
HP-Hose-DN3-PN270-1/4"NPS-7,5m-PA		●	9984583

Spraypacks high-pressure diaphragm pumps

WAGNER offers a selection of predefined spraypacks. Please choose the spraypack most suitable for your requirements from the following table. You can also create your own individual spraypack, to do this either visit our web shop or contact your WAGNER sales partner.

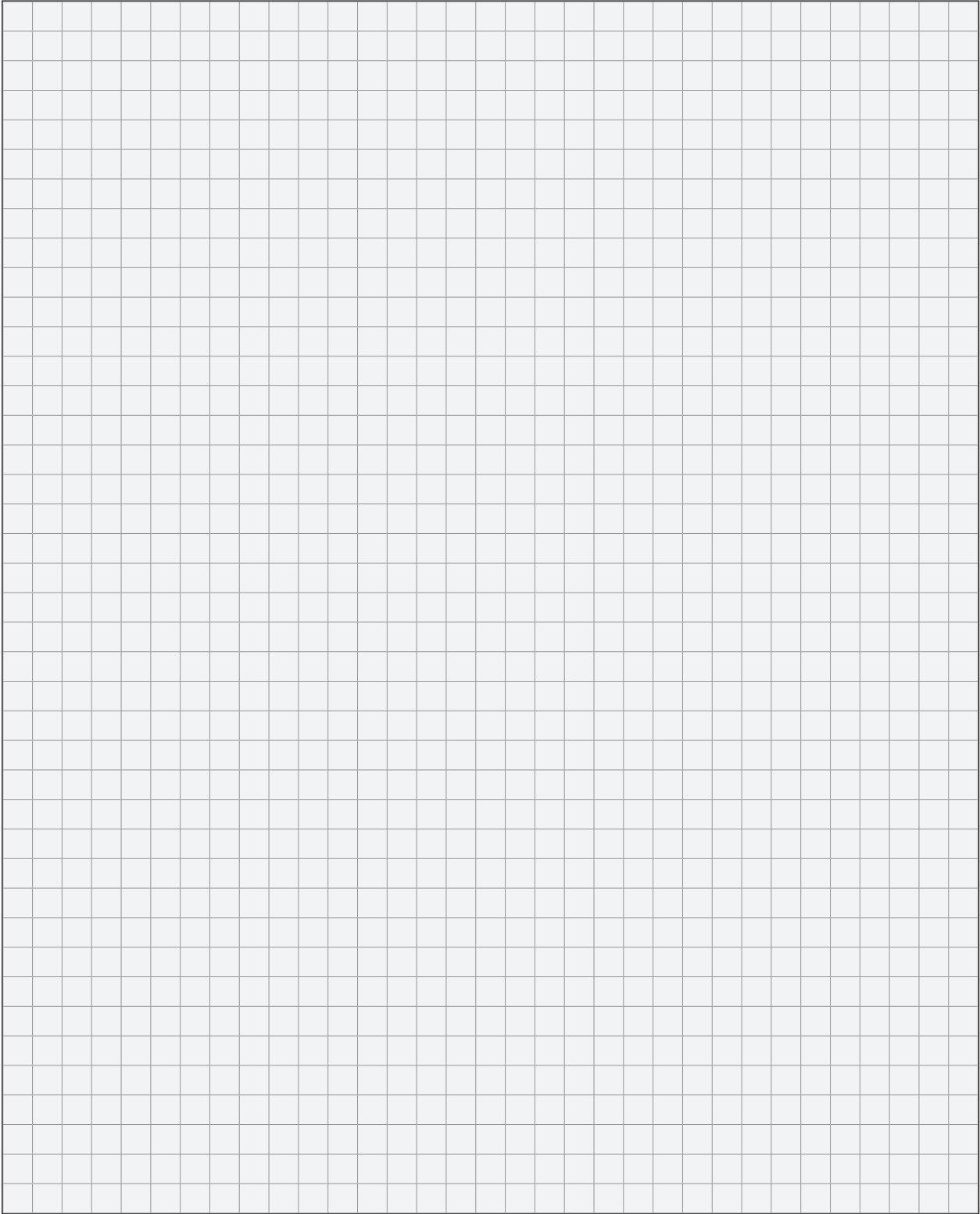
● consists of

Feeding

High pressure diaphragm pumps

DiaphragmP.Cobra 40-10 frame, 2329521	SP cobra 40-10 GM4700AC/base frame, 2342248	Spraypack cobra 40-10 GM4100/base frame, 2342245	DiaphragmP.Cobra 40-25 frame, 2329525	SP Cobra 40-10 trolley cup, 2352331	SP Cobra 40-10 GM4700 trolley cup, 2352333
---------------------------------------	---	--	---------------------------------------	-------------------------------------	--

Mounting equipment						
Stand Cobra	●	●	●			322052
Base frame Cobra 40-25				●		2308732
Trolley Cobra assy.					●	2341375
Air supply						
Set AirCoat regulator IceBreaker		●	●		●	2328611
Suction system						
Hopper-set 5L-Cobra		●	●		●	2344505
Gun						
GM 4700AC 25MPa NPSM1/4"		●			●	2313585
GM 4100AC 25MPa NPSM1/4"			●			394012
Nozzles - flat jet						
Nozzle ACF3000 11/40		●	●		●	379411
Air caps - flat jet						
Air cap LV plus (red / GM 4x00AC)		●	●		●	2313494
AirCoat Hose packages						
AC-Hose-DN4-PN270-1/4"NPS-7,5m-PA-T		●	●		●	2309706
Fitting-RF-FM-G3/8-1/4NPSM-530bar-SSt		●	●		●	2332621



Finishing low pressure diaphragm pumps

The WAGNER TOPFINISH DD10 is the first air-operated double diaphragm pump which guarantees high-quality surfaces without the use of a material pressure regulator. In addition, savings up to 70% in rinsing agent and waste reduces the process costs significantly. It is, amongst other applications, ideally suitable for the coating of furniture or plastic components of transportation vehicles.

1. Easy to use & time-saving

Two precisely adjustable rotary regulators with pressure gauge for the pump pressure and atomisation air. The regulator unit can be installed either sideways or lengthways.

2. Rapid service

You only need four standard tools to meet all of the pump's service requirements – quick and easy.

3. Homogeneous spray pattern

The revolutionary pump concept guarantees absolutely pulsation-free working, thus ensuring best surfaces.

4. No additional costs

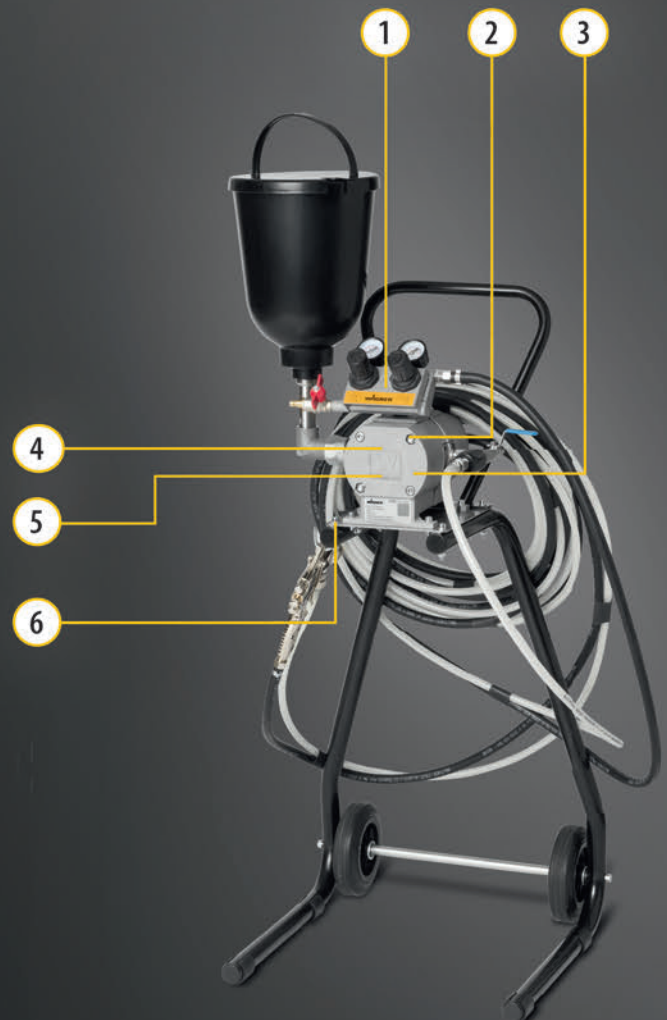
All wetted parts are made from stainless steel. This means all materials can be processed with one pump.

5. High savings in solvent & material waste

The optimised material flow with the small interior volume guarantees high savings when there is a change of paint or for cleaning.

6. Reliable operation

The pump can be installed in any conceivable position without restricting its function.



Overview of low-pressure diaphragm pump finishings

The first choice for supreme coating quality. The Zip 52 Finishing is reliable, powerful, and ideally suitable for use with automatic and manual spray guns. For use in electrostatic systems, HVLP or fully conventional air atomization applications that apply coatings to wood, metal, synthetic material, glass or leather. The Zip Finishing Spraypacks contain either the patented WAGNER Fine Flow Controller (FFC), which combines a precision material pressure regulator, an anti-pulsation unit and a material filter in a single device or a large volume antipulsation filter as a cost-effective entry level version.

	TOPFINISH DD10	Zip 52 Finishing	Zip Eco Perfect Flow
Material inlet/outlet			
1/2" BSP		●	●
3/8" BSP	●		
3/4" BSP			
BSP 1"			
Max. flow			
8.1 l/min			
10 L/min	●		
28 l/min			●
52 l/min		●	
80 l/min			
182 l/min			
Maximum material inlet pressure			
8 bar, 116 PSI	●	●	●
27 bar, 392 PSI			
Metal version			
Aluminum			
Nickel-coated aluminium			
Stainless steel			
Conductive plastic version			
POM		●	
PVDF			
Non-conductive plastic version			
Polypropylene			
PPS			

- very suitable
- suitable to a limited extent

TOPFINISH DD10

Low-pressure diaphragm pump

TOPFINISH DD10 is a 1:1 double diaphragm pump to feed manual and automatic airspray guns with material. The TOPFINISH DD10 can feed up to four guns directly or via a 2K unit.



Technical data	
Multiplication ratio	1 : 1
Operating pressure	8 bar, 116 PSI
Volumetric flow per double stroke	40 cm ³ /DS, 2,44 in ³ /DH
Volumetric flow with free drainage	10 l/min, 2.6Gpm
Material inlet	F-G 1/2"
Material outlet	F-G 3/8"
Air inlet pressure	1,0 – 8,0 bar, 15 – 116 PSI
Material temperature	4 - 60 °C, 39.2 - 140.0 °F
Weight	4,1 kg, 9.0 lb



Processable materials

- Water & solvent-based coatings
- Abrasive materials
- Metallic paints

Material wetted parts

- Stainless steel 1.4301

Product variants	Art. No.
DD10 pump	2368651
DD10 pump with regulator	2368652
DD10 Spraypack Wall Mounting	2370034
DD10 Spraypack Trolley	2370035
DD10 Spraypack Drum Cover	2370039
DD10 Spraypack Stand High	2370041
DD10 Spraypack Stand high w. Hopper	2370049

Zip 52 Finishing

Low-pressure diaphragm pump

Double diaphragm pump for AirSpray applications. Including material pressure regulator with integrated filter and suction hose/frame. Material pressure up to 8 bar. Suitable for one or several guns.



Technical data	
Operating pressure	8 bar, 116 PSI
Volumetric flow per double stroke	108 cm ³ /DS, 6,59 in ³ /DH
Volumetric flow with free drainage	52 l/min, 13.7Gpm
Max. suction lift	4.9 m, 16.1 ft
Particle size	2 mm, 0.08 in.
Air inlet pressure	1,0 – 8,0 bar, 15 – 116 PSI
Material temperature	4 - 90 °C, 39.2 - 194.0 °F

Processable materials

- Water & solvent-based coatings
- Abrasive materials
- Metallic paints
- Release agents
- Adhesive

Included Items

- Pump
- Mounting plate
- Suction hose
- Material pressure regulator FFC
- Air regulator for material atomizing air and material pressure regulator
- CE Declaration of Conformity
- Operating manual

Ordering information

- Pump includes material pressure regulator, and suction hose, no frame
- Optional with material hose and spray gun SP5.

Product variants	Art. No.
DDP Zip52 Alu finish Basic	U760.00
DDP Zip52 Inox finish basic	U765.00
ZIP52 Acetal Cond. Finishing	U772.00
DDP Zip52 Alu finish SP5 Spraypack	U760.00S/5

Zip Eco Perfect Flow

Low-pressure diaphragm pump



Double diaphragm pump for AirSpray applications. Cost effective entry-level model without material pressure regulator. Nevertheless, offers low-pulsation thanks to large material filter. For pressures up to 8 bar and one gun.



Technical data	
Operating pressure	8 bar, 116 PSI
Volumetric flow per double stroke	65 cm ³ /DS, 3,97 in ³ /DH
Volumetric flow with free drainage	28 l/min, 7.4Gpm
Particle size	2 mm, 0.08 in.
Air inlet pressure	1,0 – 8,0 bar, 15 – 116 PSI
Material temperature	4 - 90 °C, 39.2 - 194.0 °F
Weight	7,9 kg, 17.4 lb

Feeding

Low pressure diaphragm pumps

Material wetted parts

- Aluminum
- PE
- Stainless steel

Included Items

- Pump Zip 52 Perfect Flow
- Regulator for material pressure
- Controller for atomizer air
- Flexible suction hose
- Frame

Ordering information

- Pump includes frame and suction hose.
- Optional with material hose and spray gun SP5.

Product variants	Art. No.
DDP Zip52 ECO PF AL SP	U731.00
DDP Zip52 PF SP5 Spraypack	U731.PACK/SP5

Finishing low pressure diaphragm pump accessories

Wagner offers a comprehensive accessories range for finishing low pressure diaphragm pumps. Please select the components you require from this table. Further articles can be found in the WAGNER accessories catalog.

● Compatible with one another

TOPFINISH DD10	Zip 52 Finishing	Zip Eco Perfect Flow
----------------	------------------	----------------------

Mounting equipment				
Trolley DD10	●			2368424
DD10 stand small	●			2368231
stand high DD10	●			2368206
DD10 wall mounting	●			2368422
Wheel / Handle kit for T760.00S		●	●	T760.00R
Wall bracket EM31-40/Zip52 finish		●	●	T760.00M
Trolley Zip/Evotion		●	●	T760.00SR
Stand Zip/Evotion		●	●	T760.00S
Suction system				
Hopper 5L Set ZIP	●			2328487
Set Hopper 2l	●			2368788
DD10 Suction Hose	●			2369022
DD10 module lid	●			2368238
Material pressure regulators				
DD10 Pressure reducer FFC	●			2368735
Pump outlet and material filter				
DD10 filter with 90° elbow	●			2368427
Filter inserts				
FFC FILTER CARTRIDGE 60M		●		T500.00
Filter 100 mesh white		●	●	T500.00A
Filter 150 mesh		●	●	T500.00B
Return line				
DD10 circulation assy	●			2368428
DD10 filter with circulation	●			2368434
Airspray hose packages				
Twin hose 6x8 mm; 7.5m; SSt connect.		●	●	S419.00GPI
Double Hose LP D6x8 mt7,5 1/4"		●	●	S419.00GI
Other accessories				
DD10 2- guns distributor	●			2368439
DD10 4 guns distributor	●			2369013

Spraypacks for low pressure diaphragm pumps

WAGNER offers a selection of predefined spraypacks. Please choose the spraypack most suitable for your requirements from the following table. You can also create your own individual spraypack, to do this either visit our web shop or contact your WAGNER sales partner.

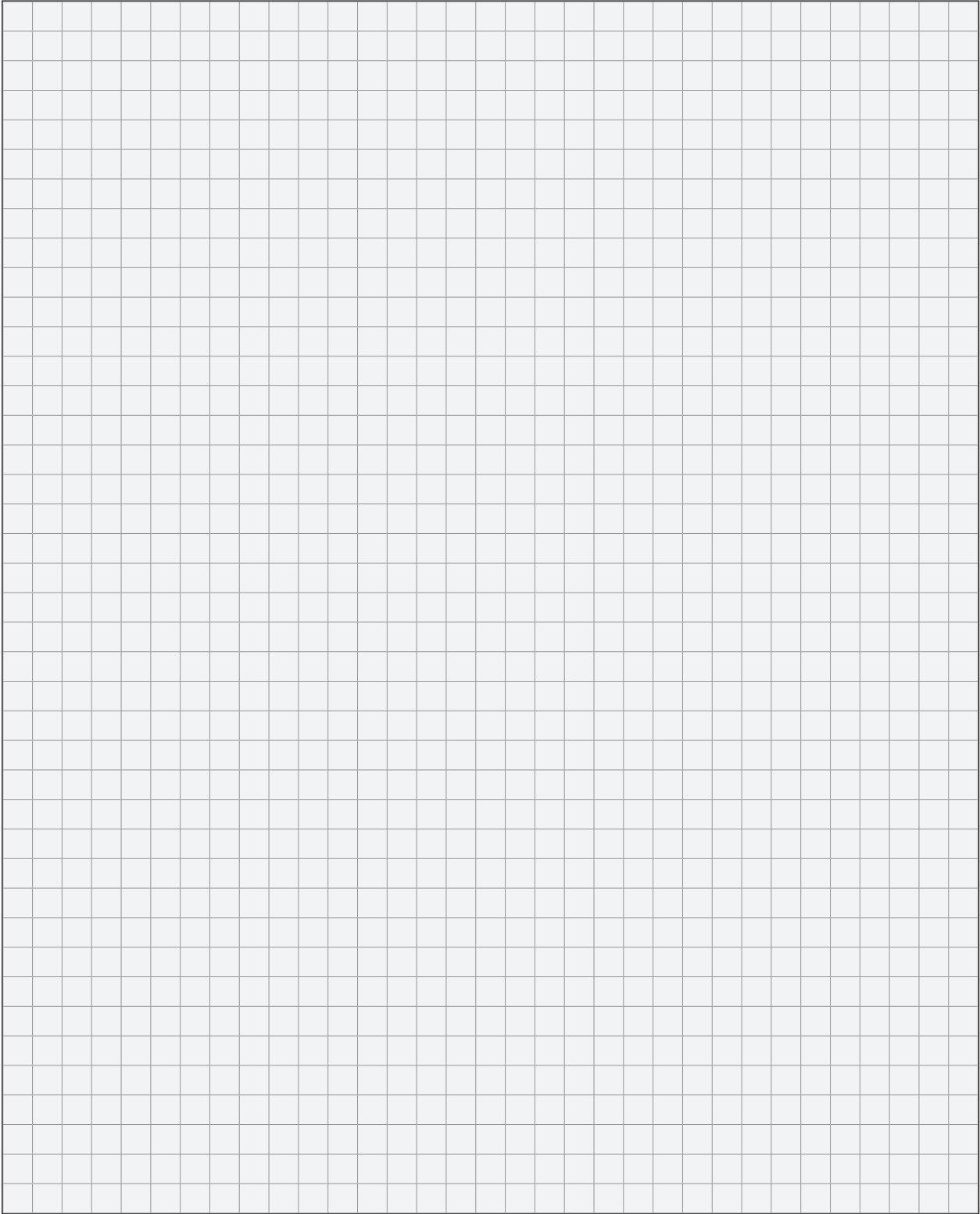
● consists of

Feeding

Low pressure diaphragm pumps

DD10 Spraypack Wall Mounting, 2370034	DD10 Spraypack Trolley, 2370035	DD10 Spraypack Drum Cover, 2370039	DD10 Spraypack Stand high w. Hopper, 2370049
---------------------------------------	---------------------------------	------------------------------------	--

Mounting equipment					
DD10 wall mounting	●			2368422	
Trolley DD10		●		2368424	
stand high DD10			●	2368206	
Suction system					
DD10 Suction Hose	●	●		2369022	
DD10 module lid			●	2368238	
Hopper 5L Set ZIP			●	2328487	
Return line					
DD10 filter with circulation	●	●	●	●	2368434
Pump					
DD10 pump with regulator	●	●	●	●	2368652



Low-pressure diaphragm pumps for product feeding

The ZIP and UNICA pneumatic double diaphragm pumps were designed specifically for reduced air consumption coupled with better performance and maximum reliability. The exclusive design and the broad application spectrum enable its use for corrosive, abrasive and highly viscous liquid media. ZIP pumps cover a broad application spectrum, including the feeding of paint supply systems; the feeding and circulation of printing ink, solvents, paints, chemicals and oils; the disposal of liquid waste; the supply of low-viscosity adhesives; and filling/emptying of tanks, drums and containers.

1. Reliability

The special long-life diaphragm ensures a high degree of reliability and minimum downtime. High chemical compatibility tanks to PTFE O-rings.

2. Minimal pressure

Thanks to minimized internal friction, the pump starts up reliably even with very low air pressure.

3. Versatility

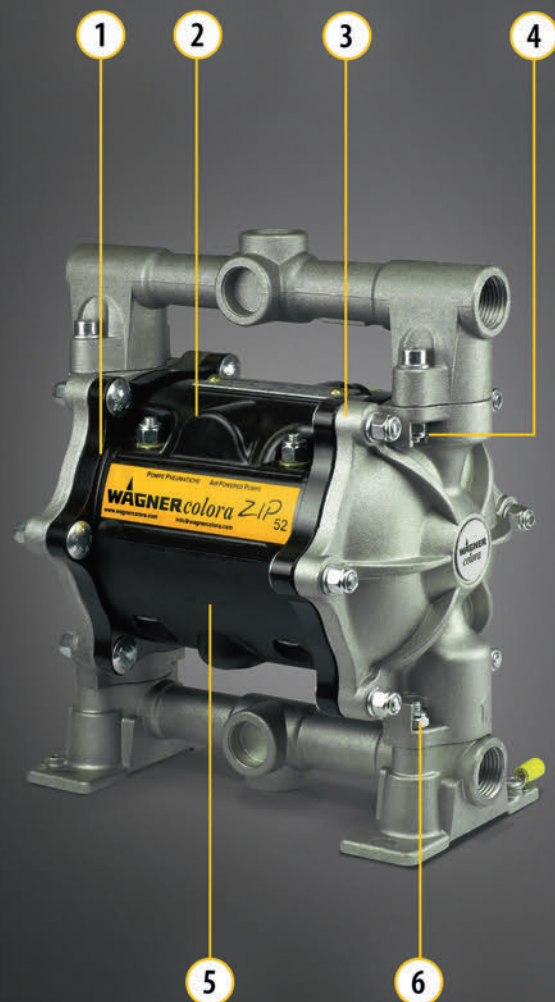
Different pump sizes and a comprehensive product range ensure a wide range of possible application.

4. High efficiency

The optimized design with less dead space enables rapid paint changes and cleaning, and a reduction in the amount of solvent required.

5. High performance

The air motor ensures highest performance without icing and simultaneously reduced air consumption. No additional lubrication is required.



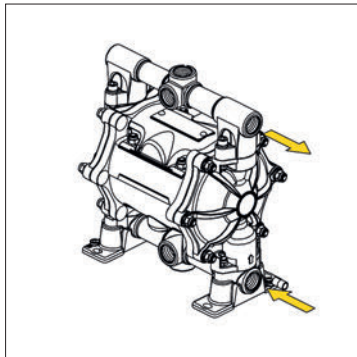
Overview of low pressure diaphragm pumps

WAGNER offers a comprehensive accessories range for low-pressure diaphragm pumps. Please choose the perfect solution for your requirements from the following table. Further information can be found in the product pages.

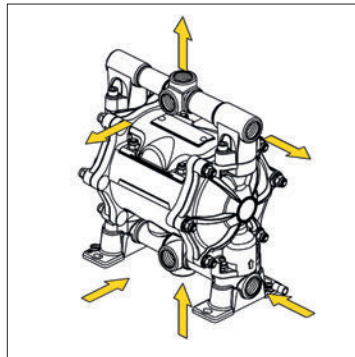
	Unica 4-270	Unica 4-270	Zip 52 PP, non-conductive	Zip 52 Perfect Flow plastic	Zip 80 aluminium	Zip 80	PMS500	Zip 182
Material inlet/outlet								
1/2" BSP			●	●				
3/8" BSP								
3/4" BSP	●	●			●	●		
BSP 1"							●	●
Max. flow								
8.1 l/min	●	●						
10 L/min								
28 l/min				●				
52 l/min			●					
80 l/min					●	●	●	
182 l/min								●
Maximum material inlet pressure								
8 bar, 116 PSI			●	●	●	●	●	●
27 bar, 392 PSI	●	●						
Metal version								
Aluminum								
Nickel-coated aluminium								
Stainless steel								
Conductive plastic version								
POM			●	●	●	●		
PVDF			●		●	●		
Non-conductive plastic version								
Polypropylene			●	●	●	●		
PPS				●				

- very suitable
- suitable to a limited extent

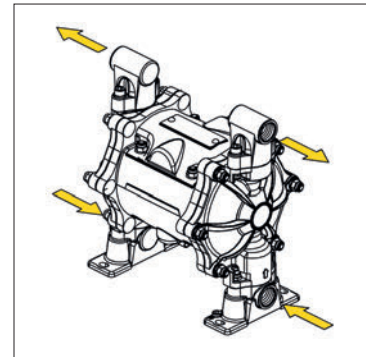
Description	Art. No.	Pump body material	Diaphragm material	Valve seat material	Ball material
DDP Zip52 Alu	U550.ATSS7	Alu	PTFE	Stainless steel	Stainless steel
DDP Zip52 Alu	U550.ATSS8	Alu	PTFE	Stainless steel	Stainless steel
DDP ZIP52 STSS7	U550.STSS7	SSt	PTFE	Stainless steel	Stainless steel
DDP Zip52 PTSS7	U552.PTSS7	Polypropylene	PTFE	Stainless steel	SSt
DDP ZIP52 GHSS1	U552.GHSS1	Acetal (POM)	PTFE	Stainless steel	Stainless steel
DDP ZIP52 GHSS7	U552.GHSS7	Acetal (POM)	PTFE	Stainless steel	Stainless steel
DDP Zip52 PF ATSS7	U551.ATSS7	Alu	PTFE	Stainless steel	Stainless steel
DDP Zip52 PF PHSD7	U553.PHSD7	PP	PE	Stainless steel	Acetal
DDP Zip52 PF PTSS7	U553.PTSS7	PP	PTFE	Stainless steel	SSt
DDP ZIP52 Perfect Flow GTSS1	U553.GTSS1	Acetal (POM)	PTFE	Stainless steel	Stainless steel
DDP Zip80 ATSS7	U555.ATSS7	Alu	PTFE	Stainless steel	SSt
DDP ZIP182 ATSS1	U560.ATSS1	Al	PTFE	SSt	Stainless steel



Connection 1 (last no. of description/part.no.)



Connection 7 (last no. of description/part.no.)



Connection 8 (last no. of description/part.no.)

Unica 4-270

Low-pressure diaphragm pump

Double diaphragm pump 4.5:1 for product transport and circulating systems. For pressures up to 27 bar and 8 L/min.



Technical data	
Multiplication ratio	4.5 :1
Operating pressure	27 bar, 392 PSI
Volumetric flow per double stroke	270 cm ³ /DS, 16,48 in ³ /DH
Volumetric flow with free drainage	8.1 l/min, 2.1Gpm
Material inlet	F-G 3/4"
Material outlet	F-G 3/4"
Max. suction lift	4 m, 13.1 ft
Air inlet connection	F-G 1/2"
Air inlet pressure	3,0 – 8,0 bar, 44 – 116 PSI
Sound level at 40 cycles and 6 bar air inlet pressure	78 dB(A)
Weight	45,0 kg, 99.2 lb

Material wetted parts

- Stainless steel
- PTFE

Included Items

- Pump with air pressure regulator
- CE Declaration of Conformity
- Operating manual

Ordering information

- HRD variant with reinforced diaphragm.

Product variants	Art. No.
Unica MP 4-270	U581.00

Zip 52

Low-pressure diaphragm pump

Double diaphragm pump for material transport and circulating systems.
Up to 8 bar and 52 L/min.



Technical data

Multiplication ratio	1 :1
Operating pressure	8 bar, 116 PSI
Volumetric flow per double stroke	108 cm ³ /DS, 6,59 in ³ /DH
Volumetric flow with free drainage	52 l/min, 13.7Gpm
Material inlet	F-G 1/2"
Material outlet	F-G1/2"
Max. suction lift	4.9 m, 16.1 ft
Particle size	2 mm, 0.08 in.
Air inlet pressure	1,0 – 8,0 bar, 15 – 116 PSI
Sound level at 40 cycles and 6 bar air inlet pressure	76 dB(A)
Material temperature	4 - 90 °C, 39.2 - 194.0 °F

Feeding

Low pressure diaphragm pumps

Material wetted parts

- Depending on the version:
- P = Polypropylene
- T = PTFE
- H = UHMW-PE Polyethylene
- S = Stainless steel
- A = Aluminum
- G = POM (Polyoxymethylene)

Included Items

- Without supply air pressure regulator
- CE Declaration of Conformity
- Operating manual

Ordering information

- Please order air supply, suction system, and other accessories separately.

Product variants	Art. No.
DDP Zip52 PTSS7	U552.PTSS7
DDP ZIP52 GHSS1	U552.GHSS1
DDP ZIP52 GHSS7	U552.GHSS7
DDP Zip52 Alu	U550.ATRD7
DDP Zip52 Alu	U550.ATSS7
DDP Zip52 Alu	U550.ATSS8
DDP ZIP52 STSS7	U550.STSS7

Zip 52 Perfect Flow

Low-pressure diaphragm pump

Double diaphragm pump for material transport and circulating systems. Up to 8 bar and 28 L/min.



Technical data	
Multiplication ratio	1 : 1
Operating pressure	8 bar, 116 PSI
Volumetric flow per double stroke	65 cm ³ /DS, 3,97 in ³ /DH
Volumetric flow with free drainage	28 l/min, 7.4Gpm
Material inlet	F-G 1/2"
Material outlet	F-G 1/2"
Max. suction lift	4.9 m, 16.1 ft
Particle size	2 mm, 0.08 in.
Air inlet pressure	1,0 – 8,0 bar, 15 – 116 PSI
Sound level at 40 cycles and 6 bar air inlet pressure	76 dB(A)
Material temperature	4 - 90 °C, 39.2 - 194.0 °F

Material wetted parts

- Depending on the version:
- P = Polypropylene
- T = PTFE
- H = UHMW-PE Polyethylene
- S = Stainless steel
- A = Aluminum
- G = Polyoxymethylene (POM)

Included Items

- Without supply air pressure regulator
- CE Declaration of Conformity
- Operating manual

Ordering information

- Please order air supply, suction system, and other accessories separately.

Product variants	Art. No.
DDP Zip52 PF PTSS7	U553.PTSS7
DDP Zip52 PF PHSD7	U553.PHSD7
DDP ZIP52 Perfect Flow GTSS1	U553.GTSS1
DDP Zip52 PF ATSS7	U551.ATSS7

Zip 80

Low-pressure diaphragm pump

Double diaphragm pump for material transport and circulating systems. Up to 8 bar and 80 L/min.



Feeding

Low pressure diaphragm pumps



Technical data

Multiplication ratio	1 :1
Operating pressure	8 bar, 116 PSI
Volumetric flow per double stroke	225 cm ³ /DS, 13,73 in ³ /DH
Volumetric flow with free drainage	80 l/min, 21.1Gpm
Material inlet	F-G 3/4"
Material outlet	F-G3/4"
Max. suction lift	4.9 m, 16.1 ft
Particle size	3 mm, 0.12 in.
Air inlet pressure	1,0 – 8,0 bar, 15 – 116 PSI
Sound level at 40 cycles and 6 bar air inlet pressure	79 dB(A)
Material temperature	4 - 90 °C, 39.2 - 194.0 °F

Material wetted parts

- A = Aluminum
- P = PTFE
- S= Stainless steel

Included Items

- Without supply air pressure regulator
- CE Declaration of Conformity
- Operating manual

Ordering information

- Please order air supply, suction system, and other accessories separately.

Product variants	Art. No.
DDP Zip80 ATSS7	U555.ATSS7

PM500

Low-pressure diaphragm pump

Double diaphragm pump for material transport/conveying and circulating systems. Ideal for lacquer supply. Up to 8 bar product pressure.



Technical data	
Multiplication ratio	1 : 1
Operating pressure	8 bar, 116 PSI
Volumetric flow per double stroke	500 cm ³ /DS, 30,51 in ³ /DH
Volumetric flow with free drainage	80 l/min, 21.1Gpm
Material inlet	F-G 1"
Material outlet	F-G 1"
Max. suction lift	6 m, 19.7 ft
Particle size	6 mm, 0.24 in.
Air inlet pressure	1,0 – 10,0 bar, 15 – 145 PSI
Sound level at 40 cycles and 6 bar air inlet pressure	81 dB(A)
Material temperature	4 - 90 °C, 39.2 - 194.0 °F
Weight	13,8 kg, 30.4 lb

Material wetted parts

- PTFE
- Stainless steel

Included Items

- Pump with air pressure regulator
- CE Declaration of Conformity
- Operating manual

Ordering information

- Please order air supply, suction system, and other accessories separately.

Product variants	Art. No.
DDP PM500 varnish	U509.A0
Pump PM 500 varnish	U509.A0A

Zip 182

Low-pressure diaphragm pump

Double diaphragm pump for material transport and circulating systems. Up to 8 bar and 182 L/min.



Feeding

Low pressure diaphragm pumps

Technical data	
Multiplication ratio	1 :1
Operating pressure	8 bar, 116 PSI
Volumetric flow per double stroke	300 cm ³ /DS, 18,31 in ³ /DH
Volumetric flow with free drainage	182 l/min, 48.1Gpm
Material inlet	F-G 1"
Material outlet	F-G1"
Max. suction lift	6.3 m, 20.7 ft
Particle size	3.5 mm, 0.14 in.
Air inlet pressure	1,0 – 8,0 bar, 15 – 116 PSI
Sound level at 40 cycles and 6 bar air inlet pressure	78 dB(A)
Material temperature	4 - 90 °C, 39.2 - 194.0 °F
Weight	12,5 kg, 27.6 lb

Material wetted parts

- Aluminum
- PTFE
- Stainless steel

Included Items

- Zip 182 without air pressure regulator
- CE Declaration of Conformity
- Operating manual

Ordering information

- Please order air supply, suction system, and other accessories separately.

Product variants	Art. No.
DDP ZIP182 ATSS1	U560.ATSS1

Service sets	
Reversing valve set	P4018.00
Fluid service set - PTFE diaphragms - SS	T9087.00
Product o-ring set	T9088.00

Low pressure diaphragm pump accessories

Wagner offers a comprehensive accessories range for low-pressure diaphragm pumps. Please select the components you require from this table. Further articles can be found in the WAGNER accessories catalog.

● Compatible with one another

Unica 4-270	Zip 52 Perfect Flow plastic	Zip 80 aluminum	PM500	Zip 182
-------------	-----------------------------	-----------------	-------	---------

Mounting equipment					
Stand Unica 4-270	●				T6148.00
Wall bracket EM31-40/Zip52 finish		●			T760.00M
Wall bracket Zip52/80 bare pump			●	●	T600.573
Air supply					
Air pressure regulator for DD 4:1	●				T6152.00
Air pressure regulator		●	●	●	P123.00
Gauge 010 Black Actuator 1/8X52		●	●	●	P903.00
Kit control valve flexo		●	●	●	T600.523
Suction system					
Flex suction hose DN25-G3/4"-S-SSt	●				T4021.00I
Material pressure regulators					
MPR 40/0,5-8bar pneum. SSt	●	●	●	●	T0170.00BI
MPR 25/0,5-5bar man. Alu		●	●	●	T0170.00A
MPR 25/0,5-8bar pneum. Alu		●	●	●	T0170.00B
MPR 25/0,5-5bar man. SSt		●	●	●	T0170.00AI
Service sets					
Springset for valve	●				T6169.00

Material pressure tanks

The use of product pressure tanks is suggested when coating large surface areas and performing continuous spraying work. The greatest advantage of pressure tanks is that the material flow is absolutely free of pulsation, which leads to excellent spraying results. Furthermore, there is no more time-consuming refilling of gravity feed and pressure cups for all conventional air atomizing guns and material supply with material pressure containers. Pressure tanks are ideal for use with abrasive materials (they have virtually no wear parts). They are also very suitable for shear-sensitive materials.

1. Homogeneous surfaces - high color shade accuracy

The product pressure tanks can be equipped with manual, air powered or electric agitators.

2. Safety and functionality

Compact-size compressed fitting complete with safety valve. Product pressure tanks are ideal for the safe storing and conveying of liquid materials.

3 Suitable for all air-atomizing spray technologies

Conventional, medium-pressure, HVLP as well as HVLP plus.

4. Suitable for all and any coating media

All pressure tanks of the LDG series as well as all small pressure tanks of the MDG series are made of stainless steel. Bigger pressure tanks (as of MDG 12) are made of galvanized steel, but they can be supplied as stainless steel versions too. Insert buckets made of stainless steel, manufactured according to pressure tank size, are available on request. Alternatively, stainless steel insert buckets, available for any container size, may be used. Commercial 30-liter cans can be placed directly into the MDG 45 pressure tank.



LDG 5

Pressure tank

Thin-walled containers of type LDG 5 are made entirely of stainless steel. The flat cover is attached by 4 foldable star handle locks.



Technical data	
Operating pressure	6 bar, 87 PSI
Total capacity	4.9 l, 1,29 gal(US)
Capacity	3.5 l, 0,92 gal(US)
Operating temperature	50 °C, 122.0 °F

Included Items

- Pressure tank
- Cover with ascending pipe
- Material outlet ball valve
- Compressed air inlet fitting
- Pressure gauge
- Safety valve
- Plastic inliner

Ordering information

- Select the equipment you want for your pressure vessel:
- ORW = without mixer
- HRW = with manual agitator
- DRW = with compressed air agitator
- ERW = with electric agitator

Product variants	Art. No.
LDG-5 6bar ORW 1oA VA	V4405160013
LDG 5 stainless steel with manual agitator	V4405160113
LDG-5 6bar DRW 1oA VA	V4405160213

LDG 10

Pressure tank



Thin-walled containers of type LDG 10 are made entirely of stainless steel. The flat cover is attached by 4 foldable star handle locks.



Technical data	
Operating pressure	6 bar, 87 PSI
Total capacity	10 l, 2,64 gal(US)
Capacity	9 l, 2,38 gal(US)
Operating temperature	50 °C, 122.0 °F

Feeding

Pressure tanks

Included Items

- Pressure tank
- Cover with ascending pipe
- Material outlet ball valve
- Compressed air inlet fitting
- Pressure gauge
- Safety valve
- Plastic inliner

Ordering information

- Select the equipment you want for your pressure vessel:
- ORW = without mixer
- HRW = with manual agitator
- DRW = with compressed air agitator
- ERW = with electric agitator

Product variants	Art. No.
LDG-10 6bar ORW 1oA VA	V4410160013
LDG-10 6bar HRW 1oA VA	V4410160113
LDG-10 6bar DRW 1oA VA	V4410160213
LDG-10 6bar ERW 1oA VA	V4410160313

LDG 20

Pressure tank

Thin-walled containers of type LDG 20 are made entirely of stainless steel. The flat cover is attached by 4 foldable star handle locks.



Technical data	
Operating pressure	6 bar, 87 PSI
Total capacity	18 l, 4,76 gal(US)
Capacity	15 l, 3,96 gal(US)
Operating temperature	50 °C, 122.0 °F

Included Items

- Pressure tank
- Cover with ascending pipe
- Material outlet ball valve
- Compressed air inlet fitting
- Pressure gauge
- Safety valve

Ordering information

- Select the equipment you want for your pressure vessel:
- ORW = without mixer
- HRW = with manual agitator
- DRW = with compressed air agitator
- ERW = with electric agitator

Product variants	Art. No.
LDG-20 6bar ORW 1oA VA	V4420160013
LDG-20 6bar HRW 1oA VA	V4420160113
LDG-20 6bar DRW 1oA VA	V4420160213
LDG-20 6bar ERW 1oA VA	V4420160313

MDG 2

Pressure tank



WALTER material pressure tank, type MDG 2, with fully assembled compressed air inlet fitting, reversible, incl. component-tested safety valve. Cover also equipped with a 1/4" fluid conduit and a 1/4" material outlet ball valve.

Technical data	
Operating pressure	3 bar, 44 PSI
Total capacity	2.45 l, 0,65 gal(US)
Capacity	1.8 l, 0,48 gal(US)
Operating temperature	50 °C, 122.0 °F



Feeding

Pressure tanks

Included Items

- Pressure tank
- Compressed air inlet fitting, assy.
- Safety valve
- Cover with ascending pipe
- Material outlet ball valve
- Documentation

Ordering information

- Select the equipment you want for your pressure vessel:
- ORW = without mixer
- HRW = with manual agitator
- DRW = with compressed air agitator
- ERW = with electric agitator

Product variants	Art. No.
MDG-2 3bar ORW 1oA VA	V4402130013

MDG 12

Pressure tank

WALTHER material pressure tank, type MDG 12, with fully assembled air inlet fitting, reversible, incl. component-tested safety valve. Cover also equipped with standard filling closure \varnothing 55 mm, suction tube and an upper material outlet ball valve.



Technical data	
Operating pressure	6 bar, 87 PSI
Total capacity	14 l, 3,70 gal(US)
Capacity	11.8 l, 3,12 gal(US)
Operating temperature	50 °C, 122.0 °F

Included Items

- Pressure tank
- Compressed air inlet fitting, assy.
- Safety valve
- Cover with standard filler cap
- Ascending pipe
- Material outlet ball valve
- Conformity certificate GM2000W
- Documentation

Ordering information

- Select the equipment you want for your pressure vessel:
- ORW = without mixer
- HRW = with manual agitator
- DRW = with compressed air agitator
- ERW = with electric agitator

Product variants	Art. No.
MDG-12 6bar ORW 10A galvanized	V4422160012
MDG-12 6bar HRW 10A galvanized	V4422160112
MDG-12 6bar DRW 10A galvanized	V4422160212
MDG-12 6bar ERW 10A galvanized	V4422160312

MDG 22

Pressure tank



WALTER material pressure tank, type MDG 22, with fully assembled air inlet fitting, reversible, incl. component-tested safety valve. Cover also equipped with standard filling closure \varnothing 55 mm, suction tube and an upper material outlet ball valve.

Technical data	
Operating pressure	6 bar, 87 PSI
Total capacity	22.3 l, 5,89 gal(US)
Capacity	19.5 l, 5,15 gal(US)
Operating temperature	50 °C, 122.0 °F

Feeding

Pressure tanks



Included Items

- Pressure tank
- Pressure gauge
- Safety valve
- Cover with filling device
- Suction tube
- Material outlet ball valve
- Declaration of conformity
- Documentation

Ordering information

- Select the equipment you want for your pressure vessel:
- ORW = without mixer
- HRW = with manual agitator
- DRW = with compressed air agitator
- ERW = with electric agitator

Product variants	Art. No.
	V4432160012
MDG 22 zinc-plated with manual agitator	V4432160112
	V4432160212
MDG 22 zinc-plated with electric agitator	V4432160312

MDG 45

Pressure tank

WALTHER material pressure tank, type MDG 45, with fully assembled air inlet fitting, reversible, incl. component-tested safety valve. Cover also equipped with standard filling closure ø 55 mm, suction tube and an upper material outlet ball valve.



Technical data	
Operating pressure	6 bar, 87 PSI
Total capacity	48 l, 12,68 gal(US)
Capacity	42.8 l, 11,31 gal(US)
Operating temperature	50 °C, 122.0 °F

Feeding

Pressure tanks

Included Items

- Pressure tank
- Compressed air inlet fitting, assy.
- Safety valve
- Cover with standard filler cap
- Ascending pipe
- Material outlet ball valve
- Conformity certificate GM2000W
- Documentation

Ordering information

- Select the equipment you want for your pressure vessel:
- ORW = without mixer
- HRW = with manual agitator
- DRW = with compressed air agitator
- ERW = with electric agitator

Product variants	Art. No.
MDG-45 4bar ORW 10A galvanized	V4424140012
MDG 45 zinc-plated with manual agitator	V4424140112
MDG-45 4bar DRW 10A galvanized	V4424140212
MDG 45 zinc-plated with electric agitator	V4424140312
MDG-45 6bar ORW 10A galvanized	V4424160012
MDG-45 6bar HRW 10A galvanized	V4424160112
MDG-45 6bar DRW 10A galvanized	V4424160212
MDG-45 6bar ERW 10A galvanized	V4424160312

MDG 60

Pressure tank



WALTER material pressure tank, type MDG 60, with fully assembled air inlet fitting, reversible, incl. component-tested safety valve. Cover also equipped with standard filling closure \varnothing 55 mm, suction tube and an upper material outlet ball valve.

Technical data	
Operating pressure	6 bar, 87 PSI
Total capacity	63.6 l, 16,80 gal(US)
Capacity	58.6 l, 15,48 gal(US)
Operating temperature	50 °C, 122.0 °F

Feeding

Pressure tanks



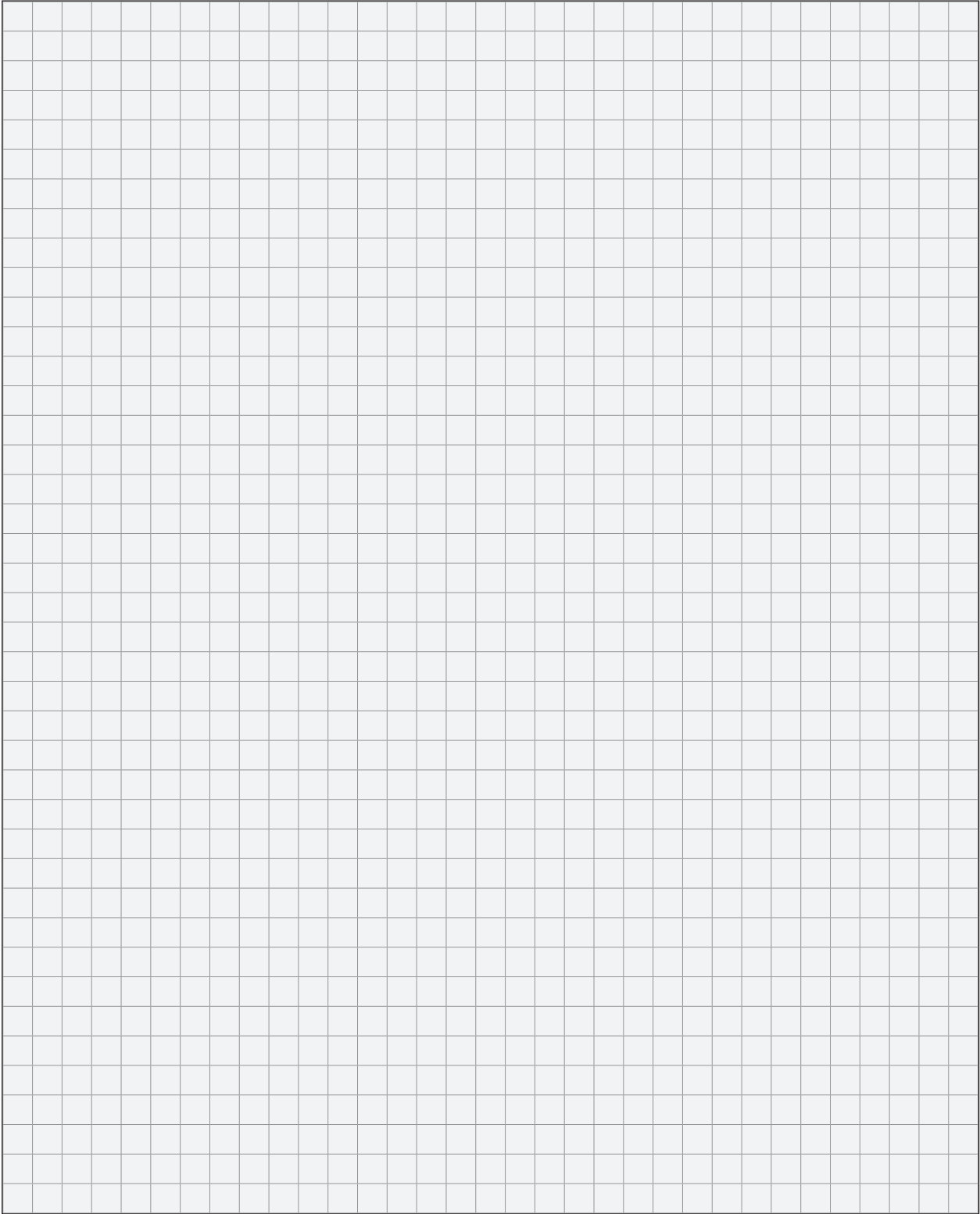
Included Items

- Pressure tank
- Compressed air inlet fitting, assy.
- Safety valve
- Cover with standard filler cap
- Ascending pipe
- Material outlet ball valve
- Conformity certificate GM2000W
- Documentation

Ordering information

- Select the equipment you want for your pressure vessel:
- ORW = without mixer
- HRW = with manual agitator
- DRW = with compressed air agitator
- ERW = with electric agitator

Product variants	Art. No.
MDG 60 zinc-plated without agitator	V4425130012
MDG 60 zinc-plated with manual agitator	V4425130112
MDG 60 zinc-plated with pneumatic agitator	V4425130212
MDG 60 zinc-plated with electric agitator	V4425130312
MDG-60 6bar ORW 1oA galvanized	V4425160012
MDG 60 zinc-plated with manual agitator	V4425160112
MDG 60 zinc-plated with pneumatic agitator	V4425160212
MDG 60 zinc-plated with electric agitator	V4425160312



Highest precision for efficient operation.



With its mixing and dosing units, WAGNER offers a powerful family of products that fulfills the various requirements of numerous industrial applications perfectly. Whether mechanical or electronic, low or high pressure, automatic or manual coating - with the various WAGNER systems 2K to 4K materials can be processed to fulfill customer specific requirements.

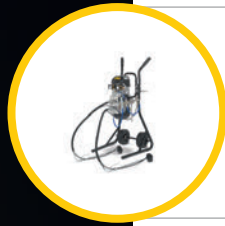


Mixing



TwinControl

84



Cobra 2K

100



ProTec 2K

102



Electronic mixing & dosing system

110



2K COMFORT

112

2-K TwinControl

A complete 2K mixing system family offering a unique operating concept and high mobility. For coating applications with one or two paints the TwinControl system provides high efficiency, a compact design, and simple operation, it fulfills diverse application requirements with ease, for example the processing of abrasive materials with high viscosity and corrosion protection or for sensitive finishing topcoats. The non-contact measuring system is based on magnetic stroke sensors and ensures a very high and reliable mixing accuracy, independent of material properties such as shearing sensitivity, abrasiveness, or viscosity. Using the version configuration the system can be customized according to the customer requirements.

1. User friendliness

All operating parameters come with quick, easy, and language-neutral controls:

Start, Stop and Flush are all that is needed for complete operation.

2. Maximum performance

The powerful IceBreaker® piston pump ensures maximum reliability and performance.

3. Maximum reliability

The patented magnetic stroke sensor ensures maximum accuracy and reliability even for high-viscosity materials and sensitive topcoats.

4. Easy cleaning

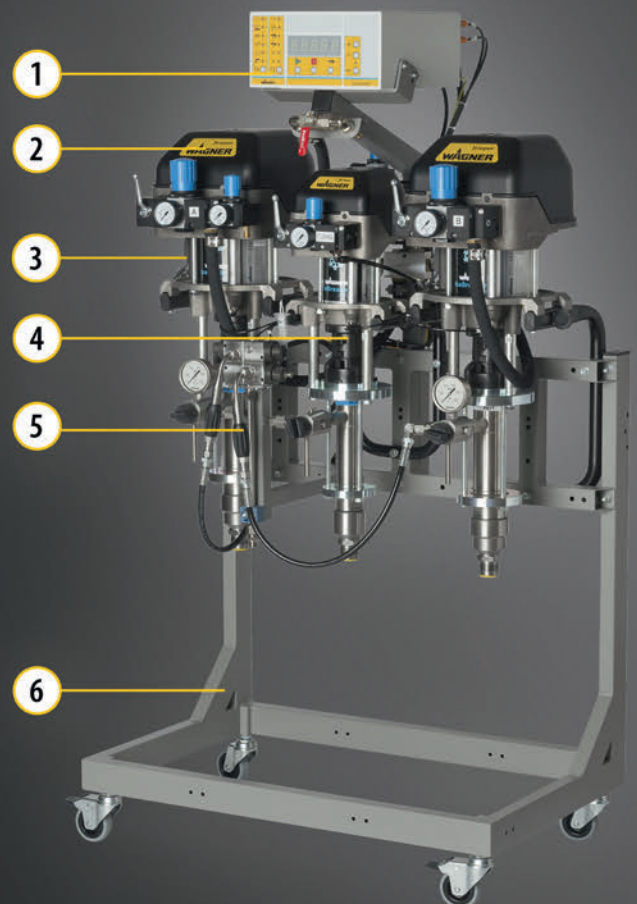
The fully automated flushing process ensures easy, quick and absolutely reliable flushing at the push of a button. At the next startup the system displays exactly and fully automatically when it is ready for coating.

5. Precision and mixing accuracy

The specially designed mixing block with integrated dosing valves ensures precise dosing and excellent homogenization of the components. Moreover, the flushing efficiency is simply unique.

6. Optimal flexibility

In addition to the choice between frame or trolley, our comprehensive accessories range offers a great selection of additional heaters, gun flush boxes or external mixers.



TwinControl 5-60

Electronic mixing and dosing system

Electronic 2K mixing system for Airspray applications. Including flushing pump and fully automatic air-solvent flushing. Second color can be retro-fitted with extension set.



Processable materials

- 2K water-based primer
- 2K solvent-based primer
- 2K PUR primer
- 2K PUR paints
- 2K epoxy primer
- 2K epoxy paints
- 2K high solid primer
- 2K high solid paints

Material wetted parts

- Tungsten carbide
- Stainless steel
- Hard chrome
- Packing PE-T / PE-TG



Technical data

Input voltage (not Atex)	115 – 230 V
Input frequency (not Atex)	50 – 60 Hz
Air inlet pressure	5,0 – 8,0 bar, 73 – 116 PSI
Air inlet connection	F–G 1/2"
Mixing ratio	0,1:1 – 20:1
Mixing accuracy	± 2%
Material pressure	40 bar, 580 PSI
Volume flow at a 1:1 mixing ratio (max.)	3.6 l/min
Volume flow at a 4:1 mixing ratio (max.)	2.3 l/min
Volume flow at a 10:1 mixing ratio (max.)	2 l/min
Volume flow at a 20:1 mixing ratio (max.)	1.9 l/min
Material inlet	M–M 36x2
Material outlet	M–G 3/8"
Max. material pressure at pump inlet	5 bar, 73 PSI
Material temperature	5 - 60 °C, 41.0 - 140.0 °F
Ambient temperature	5 – 40 °C, 41 – 104 °F
Material pH	3,5 – 9,0 pH

Ordering information

- Please order suction hoses separately.
- Freely configurable system with the TwinControl finishing configurator.
- A wide range of choices, for example a gun flush box, external mixer, or remote control.

Product variants	Art. No.
TwinControl 5-60 ABS Ex GR	2339519
TwinControl 5-60 ABS GR	2340464
TwinControl 5-60 ABS Ex W	2340465
TwinControl 5-60 ABS W	2340466
TwinControl 5-60 ABS Ex GR M	2339016
TwinControl 5-60 ABS Ex AIS GR P	2367760
TwinControl Configurator Finishing VC	2337701

TwinControl 10-70

Electronic mixing and dosing system

Electronic 2K mixing system for Airspray applications. Including flushing pump and fully automatic air-solvent flushing. Second color can be retro-fitted with extension set.



Technical data	
Input voltage (not ATEX)	115 – 230 V
Input frequency (not ATEX)	50 – 60 Hz
Air inlet pressure	5,0 – 8,0 bar, 73 – 116 PSI
Air inlet connection	F–G 1/2"
Mixing ratio	0,1:1 – 20:1
Mixing accuracy	± 2%
Material pressure	40 bar, 580 PSI
Volume flow at a 1:1 mixing ratio (max.)	3.6 l/min
Volume flow at a 4:1 mixing ratio (max.)	2.3 l/min
Volume flow at a 10:1 mixing ratio (max.)	2 l/min
Volume flow at a 20:1 mixing ratio (max.)	1.9 l/min
Material inlet	M–M 36x2
Material outlet	M–G 3/8"
Max. material pressure at pump inlet	5 bar, 73 PSI
Material temperature	5 - 60 °C, 41.0 - 140.0 °F
Ambient temperature	5 – 40 °C, 41 – 104 °F
Material pH	3,5 – 9,0 pH

Processable materials

- 2K water-based primer
- 2K solvent-based primer
- 2K PUR primer
- 2K PUR paints
- 2K epoxy primer
- 2K epoxy paints
- 2K high solid primer
- 2K high solid paints

Material wetted parts

- Tungsten carbide
- Stainless steel
- Hard chrome
- Packing PE-T / PE-TG

Ordering information

- Please order suction hoses separately.
- Freely configurable system with the TwinControl finishing configurator.
- A wide range of choices, for example a gun flush box, external mixer, or remote control.

Product variants	Art. No.
TwinControl 10-70 ABS Ex GR M	2339020
TwinControl 10-70 ABS GR	2340467
TwinControl 10-70 ABS Ex GR acid	2367424
TwinControl 10-70 ABS GR acid	2367427
TwinControl Configurator Finishing VC	2337701

Mixing
TwinControl

TwinControl 28-40

Electronic mixing and dosing system

Electronic 2K mixing system for AirCoat applications up to 270 bar. Including flushing pump and fully automatic flushing process. Second color can be retrofitted with extension set.



Technical data	
Input voltage (not Atex)	115 – 230 V
Input frequency (not Atex)	50 – 60 Hz
Air inlet pressure	5,0 – 8,0 bar, 73 – 116 PSI
Air inlet connection	F–G 1/2"
Mixing ratio	0,1:1 – 20:1
Mixing accuracy	± 2%
Material pressure	224 bar, 3249 PSI
Volume flow at a 1:1 mixing ratio (max.)	2.4 l/min
Volume flow at a 4:1 mixing ratio (max.)	1.5 l/min
Volume flow at a 10:1 mixing ratio (max.)	1.3 l/min
Volume flow at a 20:1 mixing ratio (max.)	1.2 l/min
Material inlet	M–M 36x2
Material outlet	M–G 3/8"
Max. material pressure at pump inlet	5 bar, 73 PSI
Material temperature	5 - 60 °C, 41.0 - 140.0 °F
Ambient temperature	5 – 40 °C, 41 – 104 °F
Material pH	3,5 – 9,0 pH

Processable materials

- 2K water-based primer
- 2K solvent-based primer
- 2K PUR primer
- 2K PUR paints

Material wetted parts

- Tungsten carbide
- Stainless steel
- Hard chrome
- Packing PE-T / PE-TG

Ordering information

- Please order suction hoses separately.
- Freely configurable system with the TwinControl finishing configurator.
- A wide range of choices, for example a gun flush box, external mixer, or remote control.

Product variants	Art. No.
TwinControl 28-40 ABS Ex GR	2340468
TwinControl 28-40 ABS GR	2338992
TwinControl 28-40 ABS Ex W	2340469
TwinControl 28-40 ABS W	2340470
TwinControl Configurator Finishing VC	2367761
TwinControl Configurator Finishing VC	2337701

TwinControl 35-70

Electronic mixing and dosing system

Electronic 2K mixing system for AirCoat applications up to 270 bar. Including flushing pump and fully automatic flushing process. Second color can be retrofitted with extension set.



Technical data

Input voltage (not ATEX)	115 – 230 V
Input frequency (not ATEX)	50 – 60 Hz
Air inlet pressure	5,0 – 8,0 bar, 73 – 116 PSI
Air inlet connection	F–G 1/2"
Mixing ratio	0,1:1 – 20:1
Mixing accuracy	± 2%
Material pressure	250 bar, 3626 PSI
Volume flow at a 1:1 mixing ratio (max.)	4.2 l/min
Volume flow at a 4:1 mixing ratio (max.)	2.6 l/min
Volume flow at a 10:1 mixing ratio (max.)	2.4 l/min
Volume flow at a 20:1 mixing ratio (max.)	2.2 l/min
Material inlet	M–M 36x2
Material outlet	M–G 3/8"
Max. material pressure at pump inlet	5 bar, 73 PSI
Material temperature	5 - 60 °C, 41.0 - 140.0 °F
Ambient temperature	5 – 40 °C, 41 – 104 °F
Material pH	3,5 – 9,0 pH

Processable materials

- 2K water-based primer
- 2K solvent-based primer
- 2K PUR primer
- 2K PUR paints
- 2K epoxy primer
- 2K epoxy paints
- 2K high solid primer
- 2K high solid paints

Material wetted parts

- Tungsten carbide
- Stainless steel
- Hard chrome
- Packing PE-T / PE-TG

Ordering information

- Please order suction hoses separately.
- Freely configurable system with the TwinControl finishing configurator.
- A wide range of choices, for example a gun flush box, external mixer, or remote control.

Product variants	Art. No.
TwinControl 35-70 ABS Ex GR	2338758
TwinControl 35-70 ABS GR	2339008
TwinControl 35-70 ABS W	2340473
TwinControl 35-70 ABS Ex W	2340471
TwinControl Configurator Finishing VC	2367764
TwinControl 35-70 ABS Ex GR acid	2367426
TwinControl 35-70 ABS GR acid	2367431
TwinControl Configurator Finishing VC	2337701

TwinControl 35-150/35-70

Electronic mixing and dosing system

Electronic 2K mixing system for AirCoat applications up to 270 bar. Including flushing pump and fully automatic flushing process. Second color can be retrofitted with extension set.



Technical data	
Input voltage (not Atex)	115 – 230 V
Input frequency (not Atex)	50 – 60 Hz
Air inlet pressure	5,0 – 8,0 bar, 73 – 116 PSI
Air inlet connection	F–G 1/2"
Mixing ratio	0,1:1 – 20:1
Mixing accuracy	± 2%
Material pressure	250 bar, 3626 PSI
Volume flow at a 4:1 mixing ratio (max.)	5.6 l/min
Volume flow at a 10:1 mixing ratio (max.)	4.9 l/min
Volume flow at a 20:1 mixing ratio (max.)	4.7 l/min
Material inlet	M–M 36x2
Material outlet	M–G 3/8"
Max. material pressure at pump inlet	5 bar, 73 PSI
Material temperature	5 - 60 °C, 41.0 - 140.0 °F
Ambient temperature	5 – 40 °C, 41 – 104 °F
Material pH	3,5 – 9,0 pH

Processable materials

- 2K water-based primer
- 2K solvent-based primer
- 2K PUR primer
- 2K PUR paints
- 2K epoxy primer
- 2K epoxy paints
- 2K high solid primer
- 2K high solid paints

Material wetted parts

- Tungsten carbide
- Stainless steel
- Hard chrome
- Packing PE-T / PE-TG

Ordering information

- Please order suction hoses separately.
- Freely configurable system with the TwinControl finishing configurator.
- A wide range of choices, for example a gun flush box, external mixer, or remote control.

Product variants	Art. No.
TwinControl 35-150/70 ABS Ex GR	2340474
TwinControl 35-150/70 ABS GR	2340475
TwinControl 35-150/70 ABS Ex Wag	2340476
TwinControl 35-150/70 ABS Wag	2340488
TwinControl 35-150/70 ABS Ex GR A+B E	2339004
TwinControl Configurator Finishing VC	2337701

TwinControl 48-110

Electronic mixing and dosing system

Electronic 2K mixing system for AirCoat and Airless applications up to 370 bar. Including flushing pump and fully automatic flushing. Also suited to higher viscosity Protective Coating products. Optional with second paint.



Technical data

Input voltage (not ATEX)	115 – 230 V
Input frequency (not ATEX)	50 – 60 Hz
Air inlet pressure	5,0 – 8,0 bar, 73 – 116 PSI
Air inlet connection	F-G 1/2"
Mixing ratio	0,1:1 – 20:1
Mixing accuracy	± 2%
Material pressure	370 bar, 5366 PSI
Volume flow at a 1:1 mixing ratio (max.)	6.6 l/min
Volume flow at a 4:1 mixing ratio (max.)	4.2 l/min
Volume flow at a 10:1 mixing ratio (max.)	3.8 l/min
Volume flow at a 20:1 mixing ratio (max.)	3.5 l/min
Material inlet	M-M 36x2
Material outlet	M-G 3/8"
Max. material pressure at pump inlet	5 bar, 73 PSI
Material temperature	5 - 60 °C, 41.0 - 140.0 °F
Ambient temperature	5 – 40 °C, 41 – 104 °F
Material pH	3,5 – 9,0 pH

Processable materials

- 2K water-based primer
- 2K solvent-based primer
- 2K PUR primer
- 2K PUR paints
- 2K epoxy primer
- 2K epoxy paints
- 2K high solid primer
- 2K high solid paints

Material wetted parts

- Tungsten carbide
- Stainless steel
- Hard chrome
- Packing PE-T / PE-TG

Ordering information

- Please order suction hoses separately.
- Freely configurable system with the TwinControl finishing configurator.
- A wide range of choices, for example a gun flush box, external mixer, or remote control.

Product variants	Art. No.
TwinControl 48-110 AB Ex Wag	2340477
TwinControl 48-110 AB Ex GR	2340478
TwinControl 48-110 ABS Ex GR	2339021
TwinControl 48-110 ABS GR	2339028
TwinControl 48-110 ABS Ex Wag	2340479
TwinControl Configurator Finishing VC	2337701

TwinControl 75-150

Electronic mixing and dosing system

Electronic 1-paint 2K mixing systems for heavy corrosion protection. Airless applications up to 530 bar with single or multiple gun use, including flushing pump.



Technical data	
Input voltage (not Atex)	115 – 230 V
Input frequency (not Atex)	50 – 60 Hz
Air inlet pressure	5,0 – 8,0 bar, 73 – 116 PSI
Air inlet connection	F–G 1"
Mixing ratio	0,1:1 – 10:1
Mixing accuracy	± 2%
Material pressure	530 bar, 7687 PSI
Volume flow at a 1:1 mixing ratio (max.)	9 l/min
Volume flow at a 4:1 mixing ratio (max.)	5.6 l/min
Volume flow at a 10:1 mixing ratio (max.)	4.9 l/min
Material inlet	F–G 1 1/2"
Material outlet	M–G 1/2"
Max. material pressure at pump inlet	5 bar, 73 PSI
Material temperature	5 - 60 °C, 41.0 - 140.0 °F
Ambient temperature	5 – 40 °C, 41 – 104 °F
Material pH	3,5 – 9,0 pH

Processable materials

- 2K water-based primer
- 2K solvent-based primer
- 2K PUR primer
- 2K PUR paints
- 2K epoxy primer
- 2K epoxy paints
- 2K high solid primer
- 2K high solid paints

Material wetted parts

- Tungsten carbide
- Stainless steel
- Hard chrome
- Packing PE-T / PE-TG

Ordering information

- Please order suction hoses separately.
- Freely configurable system with the protective coating configurator.
- Great selection choice, e.g. heater, soft circulation, gun flush box, external mixer, remote control.
- Versions on trolley or frame with rollers.

Product variants	Art. No.
TwinControl 75-150 ABS Ex GR	2340480
TwinControl 75-150 ABS GR	2340482
TwinControl 75-150 ABS Ex Wag	2340484
TwinControl 75-150 ABS Ex GR A+B PSV	2340486
TwinControl Configurator PC VC	2338179

TwinControl 55-200

Electronic mixing and dosing system

Electronic 1-paint 2K mixing systems for heavy corrosion protection. Airless applications up to 530 bar with single or multiple gun use, including flushing pump.



Technical data	
Input voltage (not ATEX)	115 – 230 V
Input frequency (not ATEX)	50 – 60 Hz
Air inlet pressure	5,0 – 8,0 bar, 73 – 116 PSI
Air inlet connection	F-G 1"
Mixing ratio	0,1:1 – 10:1
Mixing accuracy	± 2%
Material pressure	440 bar, 6382 PSI
Volume flow at a 1:1 mixing ratio (max.)	12 l/min
Volume flow at a 4:1 mixing ratio (max.)	7.5 l/min
Volume flow at a 10:1 mixing ratio (max.)	6.6 l/min
Material inlet	F-G 1 1/2"
Material outlet	M-G 1/2"
Max. material pressure at pump inlet	5 bar, 73 PSI
Material temperature	5 - 60 °C, 41.0 - 140.0 °F
Ambient temperature	5 – 40 °C, 41 – 104 °F
Material pH	3,5 – 9,0 pH

Mixing
TwinControl

Processable materials

- 2K water-based primer
- 2K solvent-based primer
- 2K PUR primer
- 2K PUR paints
- 2K epoxy primer
- 2K epoxy paints
- 2K high solid primer
- 2K high solid paints

Material wetted parts

- Tungsten carbide
- Stainless steel
- Hard chrome
- Packing PE-T / PE-TG

Ordering information

- Please order suction hoses separately.
- Freely configurable system with the protective coating configurator.
- Great selection choice, e.g. heater, soft circulation, gun flush box, external mixer, remote control.
- Versions on trolley or frame with rollers.

Product variants	Art. No.
TwinControl 55-200/48-110 ABS Ex GR	2345351
TwinControl 55-200 ABS Ex Trolley	2345352
TwinControl 55-200 ABS Ex GR	2345850
TwinControl Configurator PC VC	2338179

TwinControl 72-300/75-150

Electronic mixing and dosing system

Electronic 1-paint 2K mixing systems for heavy corrosion protection.
Airless applications up to 530 bar, also for critical high-viscosity material.
Single or multiple gun use, including flushing pump.



Technical data	
Input voltage (not Atex)	115 – 230 V
Input frequency (not Atex)	50 – 60 Hz
Air inlet pressure	5,0 – 8,0 bar, 73 – 116 PSI
Air inlet connection	F–G 1"
Mixing ratio	0,1:1 – 10:1
Mixing accuracy	± 2%
Material pressure	530 bar, 7687 PSI
Volume flow at a 4:1 mixing ratio (max.)	11.2 l/min
Volume flow at a 10:1 mixing ratio (max.)	9.9 l/min
Material inlet	F–G 1 1/2"
Material outlet	M–G 1/2"
Max. material pressure at pump inlet	5 bar, 73 PSI
Material temperature	5 - 60 °C, 41.0 - 140.0 °F
Ambient temperature	5 – 40 °C, 41 – 104 °F
Material pH	3,5 – 9,0 pH

Processable materials

- 2K water-based primer
- 2K solvent-based primer
- 2K PUR primer
- 2K PUR paints
- 2K epoxy primer
- 2K epoxy paints
- 2K high solid primer
- 2K high solid paints

Material wetted parts

- Tungsten carbide
- Stainless steel
- Hard chrome
- Packing PE-T / PE-TG

Ordering information

- Please order suction hoses separately.
- Freely configurable system with the protective coating configurator.
- Great selection choice, e.g. heater, soft circulation, gun flush box, external mixer, remote control.
- Versions on trolley or frame with rollers.

Product variants	Art. No.
TwinControl 72-300/150 ABS Ex GR	2340379
TwinControl 72-300/150 ABS Ex Wag	2340483
TwinControl Configurator PC VC	2338179

TwinControl 72-300

Electronic mixing and dosing system

Electronic 1-paint 2K mixing systems for heavy corrosion protection. Airless applications up to 530 bar, also for critical high-viscosity material. Single or multiple gun use, including flushing pump.



Technical data	
Input voltage (not ATEX)	115 – 230 V
Input frequency (not ATEX)	50 – 60 Hz
Air inlet pressure	5,0 – 8,0 bar, 73 – 116 PSI
Air inlet connection	F-G 1"
Mixing ratio	0,1:1 – 10:1
Mixing accuracy	± 2%
Material pressure	530 bar, 7687 PSI
Volume flow at a 1:1 mixing ratio (max.)	18 l/min
Volume flow at a 4:1 mixing ratio (max.)	11.2 l/min
Volume flow at a 10:1 mixing ratio (max.)	9.9 l/min
Material inlet	F-G 1 1/2"
Material outlet	M-G 1/2"
Max. material pressure at pump inlet	5 bar, 73 PSI
Material temperature	5 - 60 °C, 41.0 - 140.0 °F
Ambient temperature	5 – 40 °C, 41 – 104 °F
Material pH	3,5 – 9,0 pH

Mixing
TwinControl

Processable materials

- 2K water-based primer
- 2K solvent-based primer
- 2K PUR primer
- 2K PUR paints
- 2K epoxy primer
- 2K epoxy paints
- 2K high solid primer
- 2K high solid paints

Material wetted parts

- Tungsten carbide
- Stainless steel
- Hard chrome
- Packing PE-T / PE-TG

Ordering information

- Please order suction hoses separately.
- Freely configurable system with the protective coating configurator.
- Great selection choice, e.g. heater, soft circulation, gun flush box, external mixer, remote control.
- Versions on trolley or frame with rollers.

Product variants	Art. No.
TwinControl 72-300 ABS Ex GR	2340374
TwinControl 72-300 ABS Ex Trolley	2340377
TwinControl 72-300 ABS Ex Trol A+B PS	2340382

TwinControl accessories

Wagner offers a comprehensive accessories range for 2K TwinControl. Please select the components you require from this table. Further articles can be found in the WAGNER accessories catalog.

● Compatible with one another

	TwinControl 5-60	TwinControl 10-70	TwinControl 28-40	TwinControl 35-70	TwinControl 35-150/35-70	TwinControl 48-110	TwinControl 75-150	TwinControl 55-200	TwinControl 72-300/75-150	TwinControl 72-300	
Suction system											
Suction hose DN16-SSt assy.	●	●	●	●		●					2324110
Suction hose DN25-SSt assy.	●	●	●	●	●	●	●	●	●		2324116
suction system DN 38-PC cpl.							●	●	●	●	2325815
Fitting-EF-FM-G1 1/2-G1 1/2-PN25-TG							●	●	●	●	2329019
Fitting-DF-MM-G1½" - Rd55x1/6"-PN25-CS							●	●	●	●	2336489
Suction hose DN38-SSt assy.									●	●	2329592
Material pressure regulators											
Flushing set 8bar	●	●									2315985
Material pressure regulator set 8bar mec	●	●									2315994
Material pressure regulator set 8bar pne	●	●									2315965
Extension for second paint											
Extension-set 2A-SM1-LP (TC)	●	●									2340707
Extension-set 2A-SM1 (TC)			●	●							2341205
Extension-set 2A-SM2 (TC)					●	●					2341006
External mixer											
External mixer NW4	●	●									2338298
External mixer autom. NW4	●	●									2339621
External mixer NW2.6			●	●	●						2338297
External mixer autom. NW 2.6 / NW6KS			●	●	●						2339620
External mixer NW 8						●	●	●	●	●	2338300
Circulation mixer NW8 external						●	●	●	●	●	2338301
Heater sets											
Heater-set A,B TC bis 35-150	●	●	●	●	●						2338290
Heater-Set A,B TC 48-110 bis 75-150						●	●		●		2338294
Heater-Set A,B TC Trolley 75-150							●		●		2338293
Heater-Set B Trolley 38-300, 72-300										●	2340907
Heater-Set B TC 38-300, 72-300										●	2340906
Other accessories											
Gun distributor NW2.6 TC PN 270 bar	●	●	●	●	●						2338302
Gun distributor NW4TC PN 100 bar	●	●									2338303
Remote control assy. TwinControl ESTA	●	●	●	●	●						2313533
External signalhorn kit	●	●	●	●	●	●	●	●	●	●	2312343
Control-hose pack EPG Sprint	●	●	●	●	●	●	●	●	●	●	2320609
Remote Control assy. TwinControl	●	●	●	●	●	●	●	●	●	●	2308874
Cable Remote control	●	●	●	●	●	●	●	●	●	●	2308879
Data Track Twindata ethernet	●	●	●	●	●	●	●	●	●	●	2317812
Data Track Twindata RS-232	●	●	●	●	●	●	●	●	●	●	2317811
Data Track Twindata USB	●	●	●	●	●	●	●	●	●	●	2309015

Art. No.	2339519	2340464	2340465	2340466	2339016	2367760	2339020	2340467	2367424	2367427	2340468	2338992	2340469	2340470	2367761
	TwinControl 5-60 ABS Ex GR	TwinControl 5-60 ABS GR	TwinControl 5-60 Ex W	TwinControl 5-60 W	TwinControl 5-60 Ex GR M	TwinControl 5-60 Ex AIS GR P	TwinControl 10-70 ABS Ex GR M	TwinControl 10-70 ABS GR	TwinControl 10-70 Ex GR M acid	TwinControl 10-70 GR M acid	TwinControl 28-40 ABS Ex GR	TwinControl 28-40 ABS GR	TwinControl 28-40 ABS Ex W	TwinControl 28-40 ABS W	TwinControl 28-40 ABS Ex AIS GR

Pump A															
EvoMotion 5-60	●	●	●	●	●	●									
WildCat 10-70							●	●	●	●					
Puma 28-40											●	●	●	●	●
Leopard 35-70															
Leopard 35-150															

Pump B															
EvoMotion 5-60	●	●	●	●	●	●									
WildCat 10-70							●	●	●	●					
Puma 28-40											●	●	●	●	●
Leopard 35-70															
Leopard 35-150															

Pump flushing agent															
EvoMotion 5-60	●	●	●	●	●	●	●	●	●	●					
Puma 28-40											●	●	●	●	●

Controller															
not Atex, 100...230V DC and air supply		●		●				●		●	●	●	●	●	●
Atex, only air supply	●		●		●	●	●		●		●		●		●

Mounting/Assembly															
Frame with rollers	●	●			●	●	●	●	●	●	●	●			●
Trolley															
Wall mount			●	●									●	●	

Circulation soft															
A-page															
B page															

Mixer															
internal mixer	●	●	●	●	●	●	●	●	●	●	●	●	●	●	●
prepared for external mixer															

GFB															
prepared for the assembly of a GFB															

Product pressure regulator															
with mechanical adjustment					●		●								
with pneumatic control															

Heater															
A-page															
B page															

AirCoat Regulator															
AirCoat regulator without filter					●										
AirCoat regulator with filter	●	●	●	●							●	●	●	●	

Art. No.	2338758	2339008	2340473	2340471	2367764	2367426	2367431	2340474	2340475	2340476	2340488	2339004
	TwinControl 35-70 ABS Ex GR	TwinControl 35-70 ABS GR	TwinControl 35-70 ABS W	TwinControl 35-70 ABS Ex W	TwinControl 35-70 ABS Ex AIS GR	TwinControl 35-70 ABS Ex GR acid	TwinControl 35-70 ABS GR acid	TwinControl 35-150/70 ABS Ex GR	TwinControl 35-150/70 ABS GR	TwinControl 35-150/70ABS Ex Wag	TwinControl 35-150/70 ABS Wag	TwinControl 35-150/70 ABS Ex GR A+B E

Pump A												
EvoMotion 5-60												
WildCat 10-70												
Puma 28-40												
Leopard 35-70	●	●	●	●	●	●	●					
Leopard 35-150								●	●	●	●	●

Pump B												
EvoMotion 5-60												
WildCat 10-70												
Puma 28-40												
Leopard 35-70	●	●	●	●	●	●	●	●	●	●	●	●
Leopard 35-150												

Pump flushing agent												
EvoMotion 5-60												
Puma 28-40	●	●	●	●	●	●	●	●	●	●	●	●

Controller												
not Atex, 100...230V DC and air supply		●	●				●		●		●	
Atex, only air supply	●			●	●	●		●		●		●

Mounting/Assembly												
Frame with rollers	●	●			●	●	●	●	●			●
Trolley										●	●	
Wall mount			●	●								

Circulation soft												
A-page												●
B page												●

Mixer												
internal mixer	●	●	●	●	●	●	●	●	●	●	●	
prepared for external mixer												●

GFB												
prepared for the assembly of a GFB												●

Product pressure regulator												
with mechanical adjustment												
with pneumatic control												

Heater												
A-page												●
B page												●

AirCoat Regulator												
AirCoat regulator without filter												
AirCoat regulator with filter	●	●	●	●	●	●	●	●	●	●	●	●

Art. No.	2340477	2340478	2339021	2339028	2340479	2340480	2340482	2340484	2340486	2345351	2345352	2345850	2340379	2340483	2340374	2340377	2340382
	TwinControl 48-110 AB Ex Wag	TwinControl 48-110 AB Ex GR	TwinControl 48-110 ABS Ex GR	TwinControl 48-110 ABS GR	TwinControl 48-110 ABS Ex Wag	TwinControl 75-150 ABS Ex GR	TwinControl 75-150 ABS GR	TwinControl 75-150 ABS Ex Wag	TwinControl 75-150 ABS Ex GR A+B PSV	TwinControl 55-200/48-110 ABS Ex GR	TwinControl 55-200 ABS Ex Wagen	TwinControl 55-200 ABS Ex GR	TwinControl 72-300/150 ABS Ex GR	TwinControl 72-300/150 ABS Ex Wag	TwinControl 72-300 ABS Ex GR	TwinControl 72-300 ABS Ex Wagen	TwinControl 72-300 ABS Ex Wag A+B PS

Pump A																	
Leopard 48-110	●	●	●	●	●												
Jaguar 75-150						●	●	●	●								
Jaguar 55-200										●	●	●					
Jaguar 38-300																	
Tiger 72-300													●	●	●	●	●

Pump B																	
Leopard 48-110	●	●	●	●	●					●							
Jaguar 75-150						●	●	●	●				●	●			
Jaguar 55-200											●	●					
Jaguar 38-300																	
Tiger 72-300															●	●	●

Pump flushing agent																	
Puma 28-40			●	●	●												
Leopard 35-70						●	●	●	●	●	●	●	●	●	●	●	●

Controller																	
not Atex, 100...230V DC and air supply				●			●										
Atex, only air supply	●	●	●		●	●		●	●	●	●	●	●	●	●	●	●

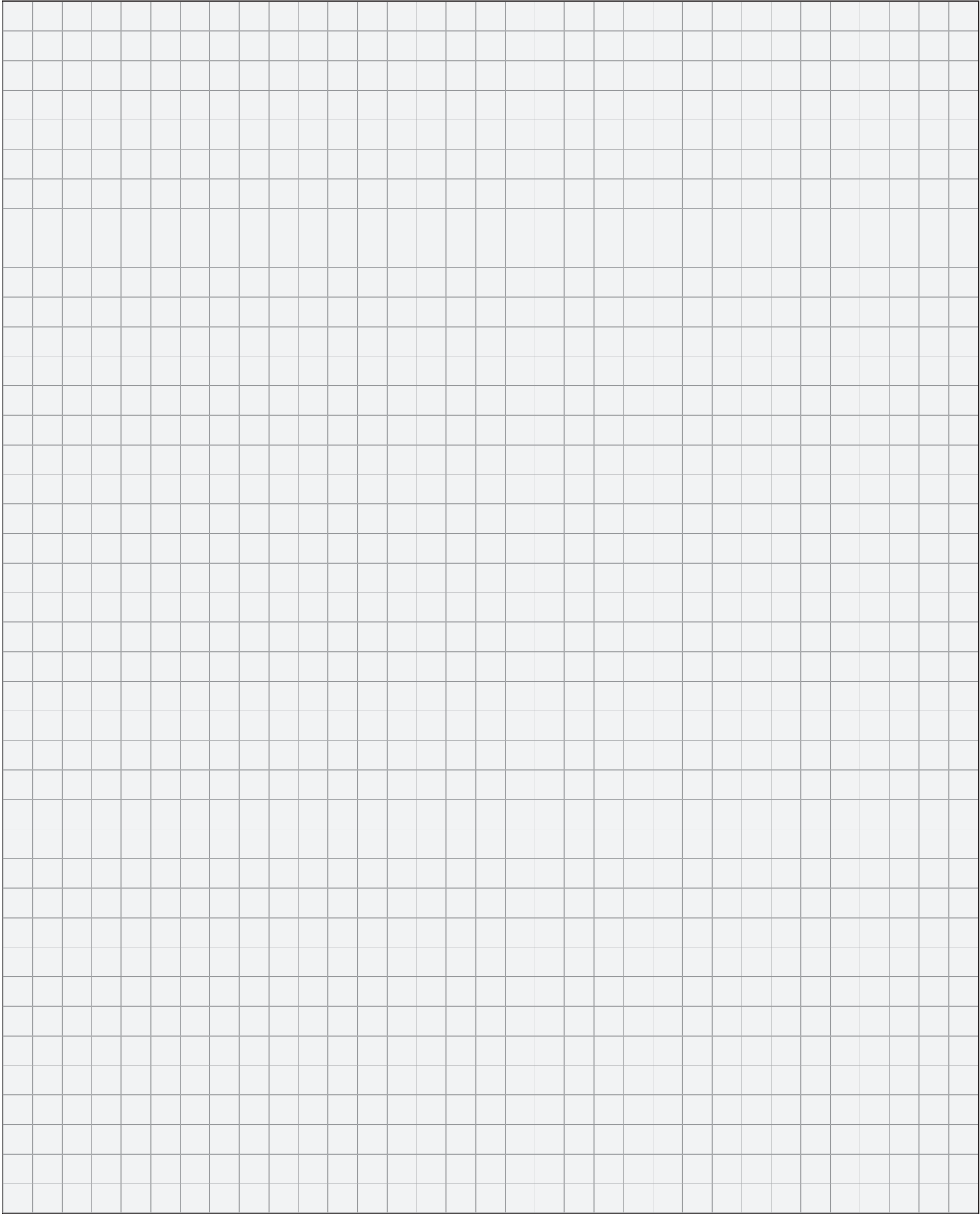
Mounting/Assembly																	
Frame with rollers		●	●	●		●	●		●	●		●		●			
Trolley					●			●			●	●		●		●	●
Wall mount	●																

Circulation soft																	
A-page										●							●
B page										●							●

Mixer																	
internal mixer											●	●	●				
prepared for external mixer																	

GFB																	
prepared for the assembly of a GFB										●							●

Heater																	
A-page										●							●
B page										●							●



Cobra 2K

The Cobra 2K is an innovative extremely compact 1:1 high-pressure mixing system for processing polyester-based lacquers. Thanks to alternating mixing and homogenization of pre-mixed resin with hardener and resin with accelerator mixtures and excellent and uniform surface quality can be achieved that normally is only possible with 3K systems and high investments.

1. Reliability

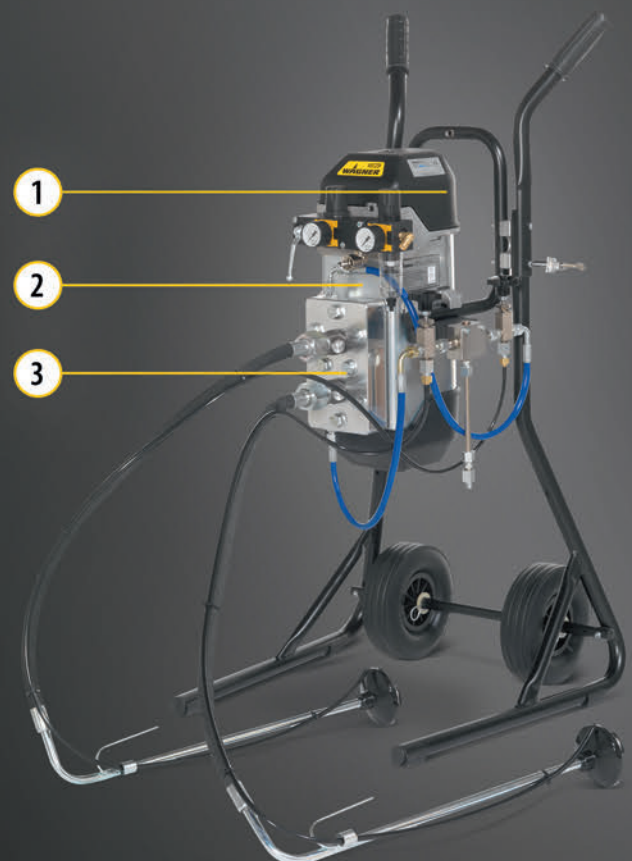
Extremely durable diaphragms ensure highest reliability and minimal maintenance.

2. Efficiency

Drastic reduction of the solvent and product consumption compared to pre-mixed materials. The small and edge free inside offers a high material saving potential.

3. Perfect solution for polyester lacquers

1:1 mixing ratio and very good homogenization of the pre-mixed resin hardener and accelerator components.



Cobra 2-component

Mixing and dosing system

1:1 mixing pump for polyester applications, AirCoat up to 250 bar and 2 L/min.



Technical data

Air inlet pressure	2,5 – 6,0 bar, 36 – 87 PSI
Air inlet connection	G 1/2"
Mixing accuracy	± 10%
Hose connection, paint section	G 1/4"
Material temperature	10 - 80 °C, 50.0 - 176.0 °F
Ambient temperature	10 – 60 °C, 50 – 140 °F
Weight	36,0 kg, 79.4 lb
Material pH	3,5 – 9,0 pH

Processable materials

- Polyester

Material wetted parts

- Tungsten carbide
- Stainless steel
- Consistal
- Stainless steel 1.4104

Ordering information

- Suction hoses and additional accessories round out the accessories range.

Product variants	Art. No.
Cobra 2K on trolley	U850.00CA
Cobra 2K on base frame	U850.00SA

Mechanical 2K mixing systems PROTEC

These days most products with heavy corrosion protection consist of 2 components. To eliminate the need for inconvenient and laborious product mixing on site and also to significantly improve the mix quality and therefore the quality of the coating, WAGNER is offering a brand new family of mixing systems, designed with simple function and operation in mind. The components are mixed continuously with the aid of 2 fluid sections, which are driven in parallel by one air motor. The mixing ratio is fixed and is defined by the size of the two fluid sections. The system can be changed to different mixing ratios at any time. What is particularly appealing is that only the amount of product being processed is mixed and that operation is almost as simple as with a conventional 1K spraypack

1. Powerful

Air motor with sufficient reserves, even for product with a high solid content.

2. Flushing

Flushing pump (optional) for easy cleaning of mixing block, product hose, and guns. Allows users to manage shorter pot lives!

3. Easy to operate

Work as you would with a 1K spraypack. Mixing block with automatic overpressure valve and circulation. Can also be used as external mixer.

4. Continuously mixed

Robust fluid sections can be selected for A and B components in mixing ratios of 1:1, 2:1, 3:1, and 4:1.

5. Product always available

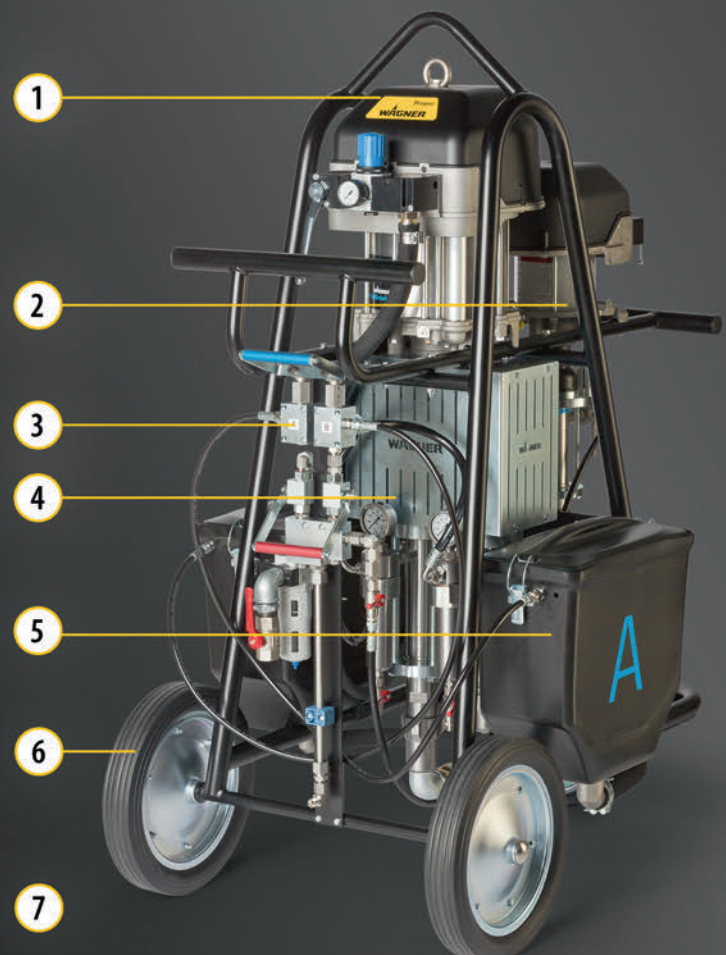
Stable and spacious 27 l product container with large suction cross-section and easy to clean.

6. Freedom of motion

Robust trolley with large wheels, crane hook, and space for additional add-ons and accessories.

7. Heating

Product heater (optional) for easier working with particularly high-viscosity product.



PROTEC 2K 75-150/38

Mechanical mixing system

Mechanical 2K system for processing heavy corrosion protection paints and primers. Mixing ratio of 4:1, up to 500 bar and 5.7 l/min. With flushing pump and heater sets as options.



Technical data	
Fixed mixing ratio	4:1
Pump ratio	75:1
Operating pressure	500 bar
Volumetric flow per double stroke	188 cm ³ /DS
Volumenstrom per 30 DH	5.6
Max. stroke rate	30 DS/min
container product inlet	2 x 27 Liter
Material outlet	M-G3/8"
Air inlet pressure	1.5 – 6.5 bar
Sound level at 6 bar air pressure	80 dB(A)
Material temperature	5 - 80 °C
Ambient temperature	5 – 60 °C
Material pH	3.5 – 9
Max. material pressure at pump inlet	20 bar
Weight	190000 g
ATEX classification	II 2G IIB c T3 X

Material wetted parts

- Tungsten carbide
- Stainless steel
- PTFE
- Zinc-plated steel
- PE

Included Items

- Basic unit with container
- Mixing block
- Static mixer
- Operating manual
- depending on spraypack: Flushing pump and Airless spray gun

Ordering information

- Basic unit without flushing pump
- Ready-for-use spraypacks with gun and/or flushing pump
- Heater sets available as accessories contain all the parts needed for attachment for one component
- Flushing pump set with all the parts needed for commissioning

Product variants	Art. No.
PROTEC 2K75-150/38	2350376
PROTEC 2K75-150/38 flushp.	2352858
PROTEC 2K75-150/38 GM1	2352859
PROTEC 2K75-150/38 GM1 flushp.	2352862

PROTEC 2K 70-150/50

Mechanical mixing system

Mechanical 2K system for processing heavy corrosion protection paints and primers. Mixing ratio of 3:1, up to 465 bar and 6.0 l/min. With flushing pump and heater sets as options.



Technical data	
Fixed mixing ratio	3:1
Pump ratio	70:1
Operating pressure	465 bar
Volumetric flow per double stroke	200 cm ³ /DS
Volumenstrom per 30 DH	6
Max. stroke rate	30 DS/min
container product inlet	2 x 27 Liter
Material outlet	M-G3/8"
Air inlet pressure	1.5 – 6.5 bar
Sound level at 6 bar air pressure	80 dB(A)
Material temperature	5 – 80 °C
Ambient temperature	5 – 60 °C
Material pH	3.5 – 9
Max. material pressure at pump inlet	20 bar
Weight	190000 g
ATEX classification	II 2G IIB c T3 X



Mixing

ProTec 2K

Material wetted parts

- Tungsten carbide
- Stainless steel
- PTFE
- Zinc-plated steel
- PE

Included Items

- Basic unit with container
- Mixing block
- Static mixer
- Operating manual
- depending on spraypack: Flushing pump and Airless spray gun

Ordering information

- Basic unit without flushing pump
- Ready-for-use spraypacks with gun and/or flushing pump
- Heater sets available as accessories contain all the parts needed for attachment for one component
- Flushing pump set with all the parts needed for commissioning

Product variants	Art. No.
PROTEC 2K70-150/50	2350375
PROTEC 2K70-150/50 flushp.	2352863
PROTEC 2K70-150/50 GM1	2352864
PROTEC 2K70-150/50 GM1 flushp.	2352865

PROTEC 2K6 4-150/75

Mechanical mixing system

Mechanical 2K system for processing heavy corrosion protection paints and primers. Mixing ratio of 2:1, up to 415 bar and 6.8 l/min. With flushing pump and heater sets as options.



Technical data	
Fixed mixing ratio	2:1
Pump ratio	64:1
Operating pressure	415 bar
Volumetric flow per double stroke	225 cm ³ /DS
Volumenstrom per 30 DH	6.8
Max. stroke rate	30 DS/min
container product inlet	2 x 27 Liter
Material outlet	M-G3/8"
Air inlet pressure	1.5 – 6.5 bar
Sound level at 6 bar air pressure	80 dB(A)
Material temperature	5 - 80 °C
Ambient temperature	5 – 60 °C
Material pH	3.5 – 9
Max. material pressure at pump inlet	20 bar
Weight	190000 g
ATEX classification	II 2G IIB c T3 X

Material wetted parts

- Tungsten carbide
- Stainless steel
- PTFE
- Zinc-plated steel
- PE

Included Items

- Basic unit with container
- Mixing block
- Static mixer
- Operating manual
- depending on spraypack: Flushing pump and Airless spray gun

Ordering information

- Basic unit without flushing pump
- Ready-for-use spraypacks with gun and/or flushing pump
- Heater sets available as accessories contain all the parts needed for attachment for one component
- Flushing pump set with all the parts needed for commissioning

Product variants	Art. No.
PROTEC 2K64-150/75	2350374
PROTEC 2K64-150/75 flushp.	2352866
PROTEC 2K64-150/75 GM1	2352867
PROTEC 2K64-150/75 GM1 flushp.	2352868

PROTEC 2K 65-110/110

Mechanical mixing system

Mechanical 2K system for processing heavy corrosion protection paints and primers. Mixing ratio of 1:1, up to 420 bar and 6.6 l/min. With flushing pump and heater sets as options.



Technical data

Fixed mixing ratio	1:1
Pump ratio	65:1
Operating pressure	420 bar
Volumetric flow per double stroke	220 cm ³ /DS
Volumenstrom per 30 DH	6.6
Max. stroke rate	30 DS/min
container product inlet	2 x 27 Liter
Material outlet	M-G3/8"
Air inlet pressure	1.5 – 6.5 bar
Sound level at 6 bar air pressure	80 dB(A)
Material temperature	5 – 80 °C
Ambient temperature	5 – 60 °C
Material pH	3.5 – 9
Max. material pressure at pump inlet	20 bar
Weight	190000 g
ATEX classification	II 2G IIB c T3 X



Mixing

ProTec 2K

Material wetted parts

- Tungsten carbide
- Stainless steel
- PTFE
- Zinc-plated steel
- PE

Included Items

- Basic unit with container
- Mixing block
- Static mixer
- Operating manual
- depending on spraypack: Flushing pump and Airless spray gun

Ordering information

- Basic unit without flushing pump
- Ready-for-use spraypacks with gun and/or flushing pump
- Heater sets available as accessories contain all the parts needed for attachment for one component
- Flushing pump set with all the parts needed for commissioning

Product variants	Art. No.
PROTEC 2K65-110/110	2350373
PROTEC 2K65-110/110 flushp.	2352869
PROTEC 2K65-110/110 GM1	2352870
PROTEC 2K65-110/110 GM1 flushp.	2352871

PROTEC 2K accessories

WAGNER offers a comprehensive accessories range for the PROTEC 2K unit. Please select the components you require from this table. Further articles can be found in the WAGNER accessories catalog.

● Compatible with one another

PROTEC 2K 75-150/38	PROTEC 2K 70-150/50	PROTEC 2K 6 4-150/75	PROTEC 2K 65-110/110
---------------------	---------------------	----------------------	----------------------

Paint section A					
Paint section A 150 PE/TG 2K	●	●	●	●	2352830
Paint section A 110 PE/T 2K	●	●	●	●	2352829
Paint section B					
Paint section B 38 PE/T 2K	●	●	●	●	2352825
Paint section B 50 PE/T 2K	●	●	●	●	2352826
Paint section B 75 PE/T 2K	●	●	●	●	2352827
Paint section B 110 PE/T 2K	●	●	●	●	2353639
Flushing pump					
Set flushing pump 35-70 2K PC	●	●	●	●	2352831
Material hose Airless					
Fitting-DF-MM-1/4NPSM-3/8NPSM-530bar-SSt	●	●	●	●	367561
Heating sets					
Heating set B 2K PC	●	●	●	●	2352832
Service Sets					
Service-Set paint section B 38cc PE+T	●				2353097
Service-Set air motor 10"	●	●	●	●	2353088
Service-Set paint section 70/150 ccm PE+TG	●	●	●		368990
Service-Set paint section B 50cc PE+T		●			2353098
Service-Set paint section B 75cc PE+T			●		2353099
Service-Set paint section 110 ccm PE+TG				●	368997
Misc. accessories					
Set external mixer 2K PC	●	●	●	●	2353092
Set shoke valve	●	●	●		2365045
Set circulation A3/8 B3/8 2K PC	●	●	●		2365243
Set circulation A3/8 B1/4 2K PC				●	2362987

Spraypacks PROTEC 2K

WAGNER offers a selection of predefined spraypacks. Please choose the spraypack most suitable for your requirements from the following table. You can also create your own individual spraypack, to do this either visit our web shop or contact your WAGNER sales partner.

● consists of

PROTEC 2K75-150/38, 2350376	PROTEC 2K75-150/38 flushp., 2352858	PROTEC 2K75-150/38 GM1, 2352859	PROTEC 2K75-150/38 GM1 flushp., 2352862	PROTEC 2K70-150/50, 2350375	PROTEC 2K70-150/50 flushp., 2352863	PROTEC 2K70-150/50 GM1, 2352864	PROTEC 2K70-150/50 GM1 flushp., 2352865
-----------------------------	-------------------------------------	---------------------------------	---	-----------------------------	-------------------------------------	---------------------------------	---

Gun									
GM 1-530			●	●			●	●	2349287
Nozzles - flat jet									
PROTEC TIP reversible tip 521			●	●			●	●	556521
Fluid sections A									
Fluid section A 150 PE/TG 2K	●	●	●	●	●	●	●	●	2352830
Fluid sections B									
Fluid section B 38 PE/TG 2K	●	●	●	●					2352825
Fluid section B 50 PE/TG 2K					●	●	●	●	2352826
Flushing pump									
Set flushing pump 35-70 2K PC				●		●		●	2352831
Airless material hose									
HP-Hose-DN10-PN530-3/8"NPS-15,0m-PA			●	●			●	●	9987118
HP-Hose-DN6-PN530-1/4"NPS-1,5m-PA			●	●			●	●	9987117
Fitting-DF-MM-1/4NPSM-3/8NPSM-530bar-SSt			●	●			●	●	367561

Spraypacks PROTEC 2K

WAGNER offers a selection of predefined spraypacks. Please choose the spraypack most suitable for your requirements from the following table. You can also create your own individual spraypack, to do this either visit our web shop or contact your WAGNER sales partner.

● consists of

PROTEC 2K64-150/75, 2350374	PROTEC 2K64-150/75 flushp., 2352866	PROTEC 2K64-150/75 GM1, 2352867	PROTEC 2K64-150/75 GM1 flushp., 2352868	PROTEC 2K65-110/110, 2350373	PROTEC 2K65-110/110 flushp., 2352869	PROTEC 2K65-110/110 GM1, 2352870	PROTEC 2K65-110/110 GM1 flushp., 2352871
-----------------------------	-------------------------------------	---------------------------------	---	------------------------------	--------------------------------------	----------------------------------	--

Gun									
GM 1-530			●	●			●	●	2349287
Nozzles - flat jet									
PROTEC TIP reversible tip 521			●	●			●	●	556521
Fluid sections A									
Fluid section A 150 PE/TG 2K	●	●	●	●					2352830
Fluid section A 110 PE/TG 2K					●	●	●	●	2352829
Fluid sections B									
Fluid section B 75 PE/TG 2K	●	●	●	●					2352827
Fluid section B 110 PE/TG 2K					●	●	●	●	2353639
Flushing pump									
Set flushing pump 35-70 2K PC		●		●		●		●	2352831
Airless material hose									
HP-Hose-DN10-PN530-3/8"NPS-15,0m-PA			●	●			●	●	9987118
HP-Hose-DN6-PN530-1/4"NPS-1,5m-PA			●	●			●	●	9987117
Fitting-DF-MM-1/4NPSM-3/8NPSM-530bar-SSt			●	●			●	●	367561

2K Smart

The WAGNER 2K Smart is the ideal solution for achieving the exacting requirements for high-precision mixture ratios and homogeneity, fast paint changes, complex 2K or 3K applications and complete automation! The 2K Smart offers an almost unlimited number of options for use and for the integration of peripheral devices (e.g. robots, conveyors or automated lines). Precise measurement and control technology, as well as redundant monitoring systems guarantee highest process safety.

1. Extremely easy handling

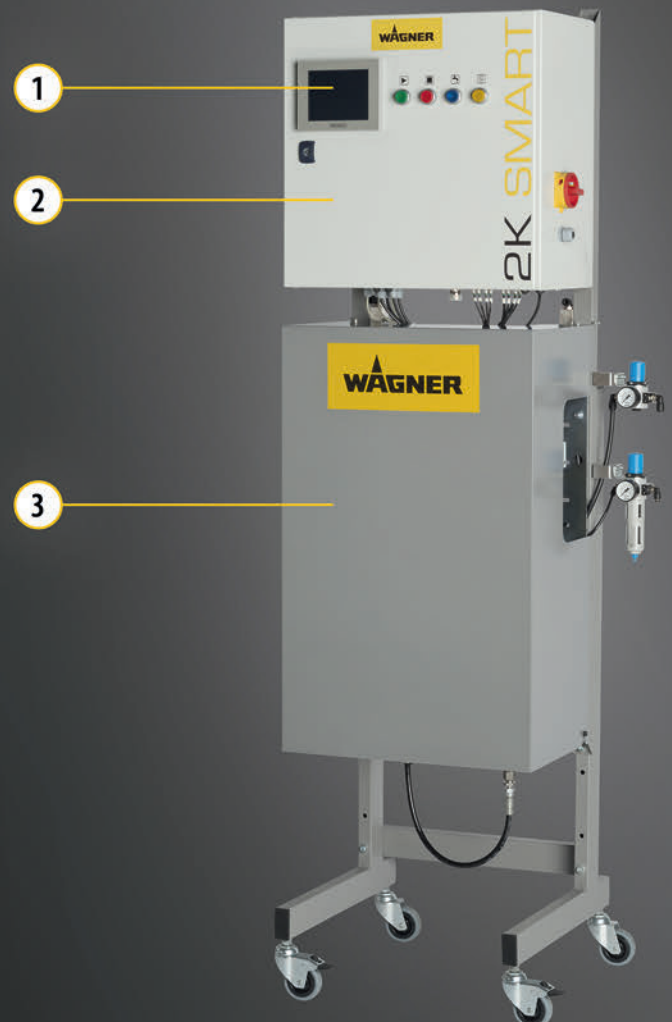
Flat touch screen for entering and monitoring all functions. The device ensures quick and easy paint changes.

2. Diverse range of applications

The 2K Smart is suitable for the use with 2K or 3K materials as well as for high and low-pressure applications (up to 270 bar).

3. ATEX Version

For use in Ex protected areas, the system can be separated into the control unit and an Ex fluid section.



2K Smart

Electronic mixing and dosing system

Electronic 2K mixing system for up to five colors and three components



Processable materials

- Solvent-based lacquer 2K and 3K
- Water-based 2K and 3K

Included Items

- Gerät und USB-Stick mit Betriebsanleitung, Softwaredokumentation und 2K Data Software



Technical data	
Mixing ratio	0,1:1 – 50:1
Mixing accuracy	± 1%
Material pressure	1 – 250 bar, 15 – 3626 PSI
Material inlet	M–G 1/4", 60° Innenkonus
Material outlet	M–1/4, ' NPS, 60° Innenkonus
Material temperature	5 – 60 °C, 41.0 – 140.0 °F
Ambient temperature	5 – 40 °C, 41 – 104 °F
Component A	1 – 5
Component B	1 – 2
Component C	0 – 1
Flushing fluid A	2
Flushing fluid B	2
Material pH	3,5 – 9,0 pH
Width	757 mm, 29.8 in.
Height	1425 mm, 56.1 in.
Depth	340 mm, 13.4 in.

Ordering information

- Bitte konfigurieren Sie sich Ihre 2K Anlage im Webshop.

Product variants	Art. No.
2K Smart VC	2374716

2K COMFORT

The WAGNER 2K COMFORT is an electronically controlled mixing and metering system for multi-color applications. Up to 25 colors and 4 components can be processed at the same time.

1. Very easy operation

Intuitive menu guidance via color display and four operating elements - Start, Stop, Flush, and Recipe change.

2. Convenient consumption data management

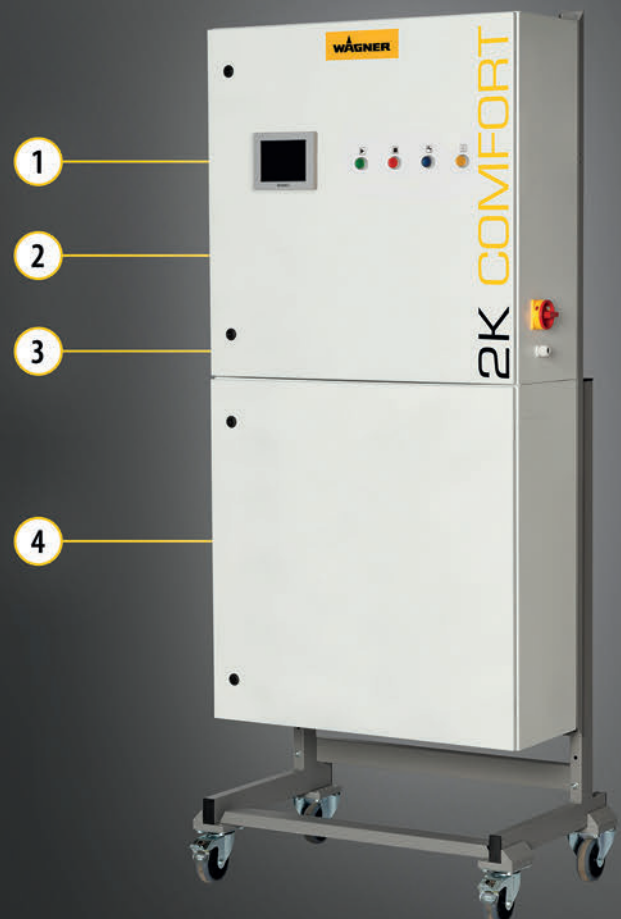
The PC-based software can conveniently save and further process the product consumption and VOC data.

3. Can be integrated

2K Comfort kann in verschiedene Feldbussysteme integriert werden und so effizient mit Robotern oder übergeordneten Steuerungen kommunizieren.

4. Best mixer results

The innovative AIS injection system makes the mixing of product components even more homogeneous and adapts automatically to the circumstances.



2K Comfort

Electronic mixing and dosing system

Electronic 2K mixing system for up to 25 colors and four components



Processable materials

- 2K water-based paints
- 2K solvent-based paints
- 2K high solid paints

Material wetted parts

- Tungsten carbide
- Stainless steel



Technical data	
Mixing ratio	0,1:1 – 50:1
Mixing accuracy	± 1%
Material pressure	1 – 325 bar, 15 – 4714 PSI
Material inlet	G 1/4"
Material outlet	1/4" NPS
Material temperature	5 – 60 °C, 41.0 – 140.0 °F
Ambient temperature	5 – 40 °C, 41 – 104 °F
Component A	1 – 25
Component B	1 – 10
Component C	0 – 10
Component D	1 – 10
Flushing fluid A	1 – 10
Flushing fluid B	1 – 5
Flushing fluid C	0 – 5
Flushing fluid D	1 – 5
Material pH	3,5 – 9,0 pH

Ordering information

- The 2K Comfort provides various means of adapting to the application. Your authorized WAGNER partner can customize the system and provide plenty of advice.

Product variants	Art. No.
2K COMFORT VC	2357336

2K Comfort 2-circuit

Electronic mixing and dosing system

Electronic 2K mixing unit for up to three components



Technical data

Mixing ratio	0,1:1 – 50:1
Mixing accuracy	± 1%
Material pressure	1 – 325 bar, 15 – 4714 PSI
Material inlet	G 1/4"
Material outlet	1/4" NPS
Material temperature	5 – 60 °C, 41.0 – 140.0 °F
Ambient temperature	5 – 40 °C, 41 – 104 °F
Component A	2 – 10
Component B	1 – 5
Component C	0 – 5
Flushing fluid A	1 – 5
Flushing fluid B	1 – 2
Flushing fluid C	0 – 2
Material pH	3,5 – 9,0 pH

Processable materials

- 2K water-based paints
- 2K solvent-based paints
- 2K high solid paints

Material wetted parts

- Tungsten carbide
- Stainless steel

Ordering information

- The 2K Comfort provides various means of adapting to the application. Your authorized WAGNER partner can customize the system and provide plenty of advice.
- Technical data of components and flushing refer to each circuit

Product variants

2K COMFORT VC

Art. No.

2364668

2K Comfort XL

Electronic mixing and dosing system

2K Comfort XL is extremely powerful and designed for high volume flow rates and the use of multiple guns. With a working pressure up to 530 bar, this unit covers a very wide spectrum of use for manual or automatic applications in terms of the materials applied. The control and fluid cabinets are separate. This allows the unit to stay close to the point of application and keeps the loss of material to a minimum during flushing operations.



Technical data	
Mixing accuracy	± 1%
Material pressure	1 – 530 bar, 15 – 7687 PSI
Material inlet	M-G 3/8"
Material outlet	M-3/8" NPS
Material temperature	5 - 60 °C, 41.0 - 140.0 °F
Ambient temperature	5 – 40 °C, 41 – 104 °F
Component A	1 – 10
Component B	0 – 5
Component C	0 – 5
Component D	0 – 5
Flushing fluid A	0 – 1
Flushing fluid B	1 – 1
Flushing fluid C	1 – 1
Flushing fluid D	1 – 1
Material pH	3,5 – 9,0 pH

Mixing


2K COMFORT

Product variants	Art. No.
2K COMFORT XL	2357342

The Wagner logo is located in the top left corner, featuring a yellow square with a black triangle above the word "WAGNER" in bold, black, sans-serif capital letters.

WAGNER

Best atomization for perfect application.

A worker in a full-body protective suit and respirator is shown in a paint booth, using a spray gun to apply paint to a car. The worker is wearing a blue and grey suit with a white hood and a respirator mask. The car is partially visible on the right side of the frame, and the background shows the interior of a paint booth with fluorescent lights and ventilation grilles.

The list of objects coated with WAGNER guns stretches from lorry axles right up to children's toys, from writing utensils right up to construction vehicles. All WAGNER application processes are based on highly advanced technologies. Perfect coating results at the same time as the greatest possible application efficiency in the widest range of applications and with a variety of different materials, are the result of years of development and experience.



Applying



AirSpray

118



AirCoat

144



Airless

154



Electrostatic solvent

168



Electrostatic water-based lacquers

186



Rotary atomization

204

AirSpray manual and automatic guns

AirSpray guns can process virtually all coating materials. These not only include water and solvent based lacquers, but also adhesives, separating agents, oils and more. All models offer an extensive nozzle selection to meet the highest quality requirements and ensure material-saving processes. Additionally, most of the spray guns are also available as medium-pressure and HVLP Plus models. This allows for particularly high application rates. Put us to the test and use the successful results as benchmark: The spraying results, the material savings, and the sustained contribution to environmental protection thanks to the reduced use of overspray.

1. High surface quality

High precision air cap technology for exceptionally fine atomization, optimal reproducibility and high transfer efficiency.

2. Design Variants

The most hand-held spray guns are available for connection to material supply systems by means of a pressure tank or pump.

3. Flexibility

Round-to-flat jet control as well as material volume regulation.

4. Perfect Handling

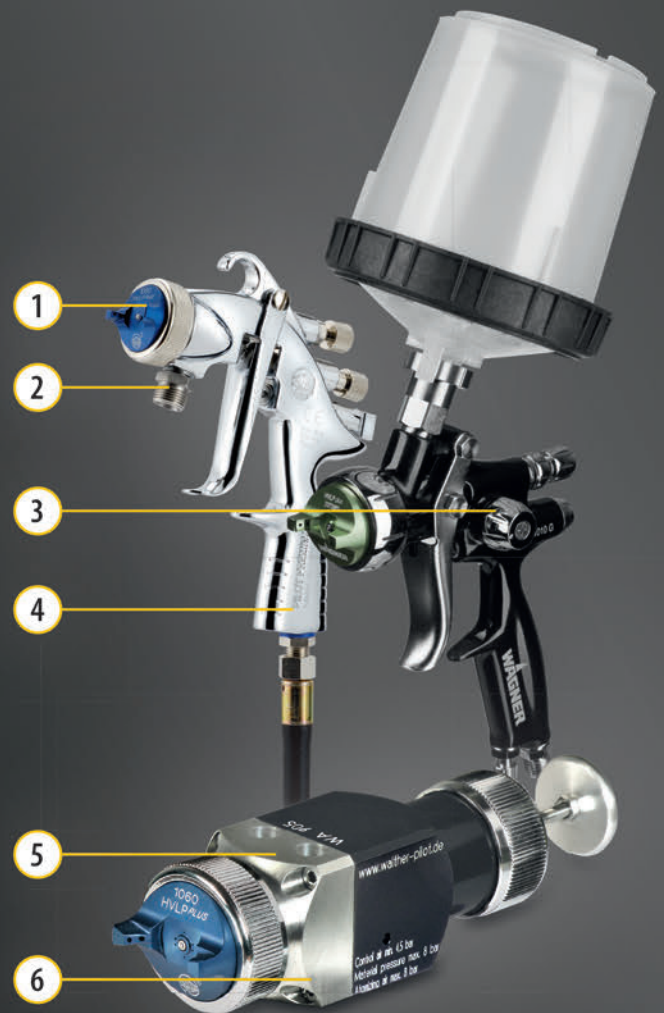
The guns stand out for their low weight, ergonomically designed body and robust construction.

5. Reliability

All parts that come into contact with the material are made of stainless steel. Water-based lacquers and aggressive media can be processed without any problems.

6. Options

With internal control (PILOT WA 700 and WA 900); without internal control (PILOT WA 705 and WA 905); with adapter plate (PILOT WA 900/905).



Overview of AirSpray manual and automatic guns

WAGNER offers a comprehensive accessories range for AirSpray manual and automatic guns. Please choose the perfect solution for your requirements from the following table. Further information can be found in the product pages.

	PILOT Mini - flow cup	PILOT Trend - flow cup	TOPFINISH GM 1010 G CAT-X	PILOT Premium - flow cup
Gun body surface				
Chrome-plated				●
nickel plated		●		
Synthetic material	●			
schwarz eloxiert			●	
Pressure range				
HP				
HVLP plus				●
MP				
HVLP			●	●
Paint feeding				
Paint connection	●	●		●
Gravity feed cup			●	
Product quantity gravity feed cup				
125 ml	●			
450 ml				
600 ml		●	●	●
Parts in contact with material, including material channel				
Stainless steel				
Aluminium / stainless steel		●		
Product conveyance				
With sieve insert				
Standard		●		
Nozzles				
Nozzle sizes	0.3... 2.2 mm	0.5... 2.5 mm	1.0... 2.2 mm	0.3... 3.5 mm

- very suitable
- suitable to a limited extent

PILOT Mini

Medium pressure Airspray manual gun



Technical data	
Material pressure	8 bar, 116 PSI
Material inlet	G 1/4"
Material temperature	80 °C, 176.0 °F
Air inlet connection	G1/4"
Atomizer air connection	G 1/4"
Operating temperature	43 °C, 109.4 °F
Weight	295 g, 0.65 lb

Applying

AirSpray

Material wetted parts

- Stainless steel 1.4305

Included Items

- PILOT Mini with nozzle insert upon choice
- User manual

Ordering information

- Choose between the gravity-feed cup version and the version for material connection to pressure tanks or pumps
- Determine the required nozzle size
- Ideal für kleine Lackierarbeiten wie z.B. Spot repair (touch up)

Product variants with gravity feed cup	Art. No.
PILOT Mini-MP gravity feed 0.5 mm	V1014102053
PILOT Mini MP gravity feed 0.3 mm	V1014102033
PILOT Mini-MP gravity feed 0.8 mm	V1014102083
PILOT Mini-MP gravity feed 1.0 mm	V1014102103
PILOT Mini MP gravity feed 1.2 mm	V1014102123
PILOT Mini MP gravity feed 1.5 mm	V1014102153
PILOT Mini MP gravity feed 1.8 mm	V1014102183
PILOT Mini MD gravity cup 2.0 mm	V1014102203
PILOT Mini MP gravity feed 2.2 mm	V1014102223

Product variants with paint connection	Art. No.
PILOT Mini MP 0.3 mm Material feed	V1014202033
PILOT Mini MP 0.5 mm Material feed	V1014202053
PILOT Mini MP 0.8 mm pressure feed	V1014202083
PILOT Mini MP 1.0 mm Material feed	V1014202103
PILOT Mini MP 1.2mm pressure feed	V1014202123
PILOT Mini MP 1.5 mm Material feed	V1014202153
PILOT Mini MP 1.8 mm Material feed	V1014202183
PILOT Mini MP 2.0 mm Material feed	V1014202203
PILOT Mini MP 2.2mm pressure feed	V1014202223

PILOT Trend

Airspray manual gun



Technical data	
Material pressure	8 bar, 116 PSI
Material inlet	G 1/4"
Material temperature	80 °C, 176.0 °F
Air inlet connection	G1/4"
Atomizer air connection	G 1/4"
Operating temperature	43 °C, 109.4 °F
Weight	438 g, 0.97 lb

Applying

AirSpray

Material wetted parts

- Stainless steel 1.4305
- Aluminum

Included Items

- PILOT Trend with nozzle insert upon choice
- User manual

Ordering information

- Choose between the following versions: conventional spray gun – medium-pressure spray gun
- Choose between the gravity-feed cup version and the version for material connection to pressure tanks or pumps
- Determine the required nozzle size

Product variants with conventional atomization and gravity feed cup	Art. No.
PILOT Trend HD gravity 0.5mm 6 Hole	V1060103053
PILOT Trend HD gravity 0.8mm 6 Hole	V1060103083
PILOT Trend HD gravity 1.2mm 6 Hole	V1060103103
PILOT Trend HD gravity cup 1.2 mm	V1060103123
PILOT Trend HD gravity 1,5 mm 6 Hole	V1060103153
PILOT Trend HD gravity 1.8mm 6 Hole	V1060103183
PILOT Trend HD gravity 2.0mm 6 Hole	V1060103203
PILOT Trend HD gravity cup 2.5 mm	V1060103253

Product variants with conventional atomization and paint connection	Art. No.
PILOT Trend HP paint connection 0.5 mm	V1060203053
PILOT Trend HP paint connection 0.8 mm	V1060203083
PILOT Trend HP paint connection 1.0 mm	V1060203103
Mod-Trend 1,2mm, pressure feed	V1060203123
Mod-Trend 1,5mm, pressure feed	V1060203153
PILOT Trend Material feed 1.8mm 6 hole	V1060203183
PILOT Trend HP paint connection 2.0 mm	V1060203203
PILOT Trend HP paint connection 2.5 mm	V1060203253

Product variants with medium pressure and gravity feed cup	Art. No.
PILOT Trend MD 0.5mm 8 hole	V1061104053
PILOT Trend MD 0.8mm 8 hole	V1061104083
PILOT Trend MD 1.0mm 8 hole	V1061104103
PILOT Trend MD 1.2mm 8 hole	V1061104123
Mod-Trend MD 1.5mm, pressure feed	V1061104153
PILOT Trend MD 1.8mm 8 hole	V1061104183
PILOT Trend MD 2.0mm 8 hole	V1061104203
PILOT Trend MD gravity cup 2.5 mm	V1061104253

Product variants with medium pressure and paint connection	Art. No.
PILOT Trend MP paint connection 0.5 mm	V1061304053
PILOT Trend MP paint connection 0.8 mm	V1061304083
Mod-Trend MD 1.0mm, pressure feed	V1061304103
Mod-Trend MD 1.2mm, pressure feed	V1061304123
Mod-Trend MD 1.5mm, pressure feed	V1061304153
Mod-Trend MD 1.8mm, pressure feed	V1061304183
Mod-Trend MD 2.0mm, pressure feed	V1061304203
PILOT Trend MP paint connection 2.5 mm	V1061304253

TOPFINISH GM 1010 G CAT-X

Airspray manual gun

High quality finishing air spray gun with excellent ergonomic handle.
Available in HVLP and HVLP plus.



Technical data

Material pressure	8 bar, 116 PSI
Material inlet	G 3/8"
Type of material connection	Fließbecher
Material temperature	80 °C, 176.0 °F
Air inlet connection	G 1/4"
Atomizer air connection	G 1/4"
Operating temperature	43 °C, 109.4 °F
Weight	0,4 kg, 1.0 lb

Applying

AirSpray

Material wetted parts

- Stainless steel 1.4305

Included Items

- Gun-only set: Manual air spray gun . . . mm Ø with 3M™ PPS™ disposable gravity cup kits include 3 lids and liners, tool, cleaning brush and manual instruction
- GM 1010-0 AS Box: Included Gun GM 1010-0 AS 1.3mmØ, additional nozzle sizes 1.0 / 1.5 and 1.7mmØ, 3M™ PPS™ disposable gravity cup kits include 3 lids and liners, second air cap HVLP, tool, cleaning brush, manual instruction
- GM 1010-0 AS Case: Included Gun GM 1010-0 AS 1.3mmØ, additional nozzle sizes 1.0 / 1.5 and 1.7mmØ, 3M™ PPS™ disposable gravity cup kits include 3 lids and liners, second air cap HVLP, tool, cleaning brush, manual instruction with mini air-regulator

Ordering information

- Choose gun with defined nozzle and atomization technology (HVLP or HVLP plus) or choose the set.
- Choose your requested nozzle size (for single gun)

Product variant as Box-set	Art. No.
GM1010 G CAT-X smart set +3	2374020

Product variant as Carton-set	Art. No.
GM1010 G CAT-X economy pack +3	2374019

Airspray manual gun, HVLP	Art. No.
GM 1010 G CAT-X Ø 2,2 mm HVLP	2374008
GM 1010 G CAT-X Ø 1,9 mm HVLP	2374009
GM 1010 G CAT-X Ø 1,7 mm HVLP	2374010
GM 1010 G CAT-X Ø 1,5 mm HVLP	2374011
GM 1010 G CAT-X Ø 1,4 mm HVLP	2374012
GM 1010 G CAT-X Ø 1,3 mm HVLP	2374013
GM 1010 G CAT-X Ø 1,2 mm HVLP	2374014
GM 1010 G CAT-X Ø 1,0 mm HVLP	2374015

Airspray manual gun, HVLP plus	Art. No.
GM 1010 G CAT-X Ø 1,7 mm HVLP plus	2374001
GM 1010 G CAT-X Ø 1,5 mm HVLP plus	2374002
GM 1010 G CAT-X Ø 1,4 mm HVLP plus	2374003
GM 1010 G CAT-X Ø 1,3 mm HVLP plus	2374004
GM 1010 G CAT-X Ø 1,2 mm HVLP plus	2374005
GM 1010 G CAT-X Ø 1,0 mm HVLP plus	2374006
GM 1010 G CAT-X Ø 1,9 mm HVLP plus	2374000
GM 1010 G CAT-X Ø 2,2 mm HVLP plus	2373998

PILOT Premium

Airspray manual gun

Top-class spray gun for excellent surface finishing. The innovative HVLP plus nozzle air cap technology was designed especially for these spray gun (and also for the PILOT WA 700 and WA 900 automatic spray guns).



Technical data	
Material pressure	8 bar, 116 PSI
Material inlet	G 3/8"
Material temperature	80 °C, 176.0 °F
Air inlet connection	G1/4"
Atomizer air connection	G 1/4"
Operating temperature	43 °C, 109.4 °F
Weight	0,5 kg, 1.1 lb

Material wetted parts

- Stainless steel 1.4305

Included Items

- PILOT Premium with nozzle insert upon choice
- User manual

Ordering information

- Choose between the following versions: conventional spray gun – HVLP plus – HVLP
- Determine the required nozzle size (0,3 - 3,5 mm)

Product variants with conventional atomization and paint connection	Art. No.
PILOT Premium Material feed 0.5mm 8 hole	V1070203053
PILOT Premium Material feed 0.8mm 8 hole	V1070203083
PILOT Premium Material feed 1.0mm 8 hole	V1070203103
PILOT Premium Material feed 1.2mm 8 hole	V1070203123
PILOT Premium Material feed 1.5mm 8 hole	V1070203153
PILOT Premium Material feed 1.8mm 8 hole	V1070203183
PILOT Premium Material feed 2.0mm 8 hole	V1070203203
PILOT Premium Material feed 2.2mm 8 hole	V1070203223
PILOT Premium Material feed 2.5mm 8 hole	V1070203253

Product variants with HVLP Plus and paint connection	Art. No.
PILOT Premium HVLP plus material 0.5mm	V1070404053
PILOT Premium HVLP plus material 0.8mm	V1070404083
PILOT Premium HVLP plus material 1.0MM	V1070404103
PILOT Premium HVLP plus material 1.2MM	V1070404123
PILOT Premium HVLP plus material 1.5MM	V1070404153
PILOT Premium HVLP plus material 1.8MM	V1070404183
PILOT Premium HVLP plus material 2.0MM	V1070404203
PILOT Premium HVLP plus material 2.2mm	V1070404223
PILOT Premium HVLP plus material 2.5mm	V1070404253
PILOT Premium HVLP plus material 0.3mm	V1070404033

Pilot WA 700 internal control

Airspray automatic gun with internal control



Technical data	
Material pressure	8 bar, 116 PSI
Material inlet	G 1/4"
Material temperature	80 °C, 176.0 °F
Control air connection	G 1/8"
Atomizer air connection	Schlauch 8x6
Operating temperature	80 °C, 176.0 °F
Weight	729 g, 1.61 lb
Max. sound level	86 dB(A)
Control type	Internal control

Material wetted parts

- Stainless steel 1.4305

Included Items

- PILOT WA 700 with nozzle insert upon choice
- User manual

Ordering information

- Choose between the following versions:
conventional spray gun – HVLP Plus spray gun – HVLP spray gun
- Determine the required nozzle size

Product variants with conventional atomization	Art. No.
WA 700 0.5mm	V2070006053
WA 700 0.8mm	V2070006083
WA 700 1.0mm	V2070006103
WA 700 1.2mm	V2070006123
WA 700 1.5mm	V2070006153
WA 700 1.8mm	V2070006183
WA 700 2.0mm	V2070006203
WA 700 2.2mm	V2070006223
WA 700 2.5mm	V2070006253
WA 700 0.3mm	V2070006033

Product variants with conventional atomization for recirculating systems	Art. No.
WA710-U 0,5mm AK with int. control	V2071006053
WA710-U 0,8mm AK with int. control	V2071006083
WA710-U 1,0mm AK with int. control	V2071006103
WA710-U 1,2mm AK with int. control	V2071006123
WA710-U 1,5mm AK with int. control	V2071006153
WA710-U 1,8mm AK with int. control	V2071006183
WA710-U 2,0mm AK with int. control	V2071006203
WA710-U 2,2mm AK with int. control	V2071006223
WA710-U 2,5mm AK with int. control	V2071006253

Pilot WA 700 internal control

Airspray automatic gun with internal control



Technical data	
Material pressure	8 bar, 116 PSI
Material inlet	G 1/4"
Material temperature	80 °C, 176.0 °F
Control air connection	G 1/8"
Atomizer air connection	Schlauch 8x6
Operating temperature	80 °C, 176.0 °F
Weight	729 g, 1.61 lb
Max. sound level	86 dB(A)
Control type	Internal control

Material wetted parts

- Stainless steel 1.4305

Included Items

- PILOT WA 700 with nozzle insert upon choice
- User manual

Ordering information

- Choose between the following versions:
conventional spray gun – HVLP Plus spray gun – HVLP spray gun
- Determine the required nozzle size

Product variants with HVLP Plus	Art. No.
PILOT WA 700 MP 0.5 mm	V2074004033
WA 740 HVLP-PLUS 0.5mm	V2074004053
WA 740 HVLP-PLUS 0.8mm	V2074004083
WA 740 HVLP-PLUS 1.0mm	V2074004103
WA740-HVLP-Plus 1,2mm	V2074004123
WA 740 HVLP-PLUS 1.5mm	V2074004153
WA 740 HVLP-PLUS 1.8mm	V2074004183
WA 740 HVLP-PLUS 2.0mm	V2074004203
WA 740 HVLP-PLUS 2.2mm	V2074004223
WA 740 HVLP-PLUS 2.5mm	V2074004253
PILOT WA 700 MP 2.5 mm	V2074004353

Product variants with HVLP Plus for recirculating system	Art. No.
WA 750 HVLP-PLUS-U 0.5mm	V2075004053
WA 750 HVLP-PLUS-U 0.8mm	V2075004083
WA 750 HVLP-PLUS-U 1.0mm	V2075004103
WA 750 HVLP-PLUS-U 1.2mm	V2075004123
WA 750 HVLP-PLUS-U 1.5mm	V2075004153
WA 750 HVLP-PLUS-U 1.8mm	V2075004183
WA 750 HVLP-PLUS-U 2.0mm	V2075004203
WA 750 HVLP-PLUS-U 2.2mm	V2075004223
WA 750 HVLP-PLUS-U 2.5mm	V2075004253

Pilot WA 700

Airspray automatic gun with external control



Technical data	
Material pressure	8 bar, 116 PSI
Material inlet	G 1/4"
Material temperature	80 °C, 176.0 °F
Control air connection	G 1/8"
Atomizer air connection	Schlauch 8x6
Operating temperature	80 °C, 176.0 °F
Weight	729 g, 1.61 lb
Max. sound level	86 dB(A)
Control type	Internal control

Material wetted parts

- Stainless steel 1.4305

Included Items

- PILOT WA 700 with nozzle insert upon choice
- User manual

Ordering information

- Choose between the following versions: conventional spray gun and HVLP Plus.
- Determine the required nozzle size.

Product variants with conventional atomization	Art. No.
WA 705 0.5mm	V2070506053
WA 705 0.8mm	V2070506083
WA 705 1.0mm	V2070506103
WA 705 1.2mm	V2070506123
WA 705 1,5mm	V2070506153
WA 705 1.8mm	V2070506183
WA 705 2.0mm	V2070506203
WA 705 2.2mm	V2070506223
WA 705 2.5mm	V2070506253
WA 705 3.5mm	V2070506353

Product variants with conventional atomization for recirculating systems	Art. No.
WA 715-U 0.5mm	V2071506053
WA 715-U 0.8mm	V2071506083
WA 715-U 1.0mm	V2071506103
WA 715-U 1.2mm	V2071506123
WA 715-U 1.5mm	V2071506153
WA 715-U 1.8mm	V2071506183
WA 715-U 2.0mm	V2071506203
WA 715-U 2.2mm	V2071506223
WA 715-U 2.5mm	V2071506253

Pilot WA 700

Airspray automatic gun with external control



Technical data

Material pressure	8 bar, 116 PSI
Material inlet	G 1/4"
Material temperature	80 °C, 176.0 °F
Control air connection	G 1/8"
Atomizer air connection	Schlauch 8x6
Operating temperature	80 °C, 176.0 °F
Weight	729 g, 1.61 lb
Max. sound level	86 dB(A)
Control type	Internal control

Applying

AirSpray

Material wetted parts

- Stainless steel 1.4305

Included Items

- PILOT WA 700 with nozzle insert upon choice
- User manual

Ordering information

- Choose between the following versions: conventional spray gun and HVLP Plus.
- Determine the required nozzle size.

Product variants with HVLP Plus	Art. No.
WA 745 HVLP-PLUS 0.3mm	V2074504033
WA 745 HVLP-PLUS 0.5mm	V2074504053
WA 745 HVLP-PLUS 0.8mm	V2074504083
WA 745 HVLP-PLUS 1.0mm	V2074504103
WA 745 HVLP-PLUS 1.2mm	V2074504123
WA 745 HVLP-PLUS 1.5mm	V2074504153
WA 745 HVLP-PLUS 1.8mm	V2074504183
WA 745 HVLP-PLUS 2.0mm	V2074504203
WA 745 HVLP-PLUS 2.2mm	V2074504223
WA 745 HVLP-PLUS 2.5mm	V2074504253

Product variants with HVLP Plus for recirculating system	Art. No.
WA 755 HVLP-PLUS-U 0.5mm	V2075504053
WA 755 HVLP-PLUS-U 0.8mm	V2075504083
WA 755 HVLP-PLUS-U 1.0mm	V2075504103
WA 755 HVLP-PLUS-U 1.2mm	V2075504123
WA 755 HVLP-PLUS-U 1.5mm	V2075504153
WA 755 HVLP-PLUS-U 1.8mm	V2075504183
WA 755 HVLP-PLUS-U 2.0mm	V2075504203
WA 755 HVLP-PLUS-U 2.2mm	V2075504223
WA 755 HVLP-PLUS-U 2.5mm	V2075504253

PILOT WA 900 internal control

Airspray automatic gun

For use with quick-change adapter plates.



Technical data	
Material pressure	8 bar, 116 PSI
Material inlet	G 1/4"
Material temperature	80 °C, 176.0 °F
Control air connection	G 1/8"
Atomizer air connection	Schlauch 8x6
Operating temperature	80 °C, 176.0 °F
Weight	680 g, 1.50 lb
Max. sound level	86 dB(A)
Control type	Internal control

Applying

AirSpray

Material wetted parts

- Stainless steel 1.4305

Included Items

- PILOT WA900/WA905 with nozzle insert
- Operating manual

Ordering information

- We offer you the choice between conventional atomization and HVLP Plus.
- Determine the required nozzle size.
- Please select the required adapter plate (not included in the scope of delivery)

Product variants with conventional atomization	Art. No.
WA900 Conventional 0.3MMw/oADAPTER PLATE	V2190006033
WA900 Conventional 0.5MMw/oADAPTER PLATE	V2190006053
WA900 Conventional 0.8MMw/oADAPTER PLATE	V2190006083
WA900 Conventional 1.0MMw/oADAPTER PLATE	V2190006103
WA900 Conventional 1.2MMw/oADAPTER PLATE	V2190006123
WA900 Conventional 1.5MMw/oADAPTER PLATE	V2190006153
WA900 Conventional 1.8MMw/oADAPTER PLATE	V2190006183
WA900 Conventional 2.0MMw/oADAPTER PLATE	V2190006203
WA900 Conventional 2.2MMw/oADAPTER PLATE	V2190006223
WA900 Conventional 2.5MMw/oADAPTER PLATE	V2190006253
WA900 Conventional 3.0MMw/oADAPTER PLATE	V2190006303
WA900 Conventional 3.5MMw/oADAPTER PLATE	V2190006353

Product variants with HVLP Plus	Art. No.
WA940-HVLPplus 0.3mm IC, w/o base pl	V2194004033
WA940-HVLPplus 0.5mm IC, w/o base pl	V2194004053
WA940-HVLPplus 0.8mm IC, w/o base pl	V2194004083
WA940-HVLPplus 1.0mm IC, w/o base pl	V2194004103
WA940-HVLPplus 1.2mm IC, w/o base pl	V2194004123
WA940-HVLPplus 1.5mm IC, w/o base pl	V2194004153

Product variants with HVLP Plus	Art. No.
WA940-HVLPplus 1.8mm IC, w/o base pl	V2194004183
WA940-HVLPplus 2.0mm IC, w/o base pl	V2194004203
WA940-HVLPplus 2.2mm IC, w/o base pl	V2194004223
WA940-HVLPplus 2.5mm IC, w/o base pl	V2194004253
WA940-HVLPplus 3.0mm IC, w/o base pl	V2194004303
WA940-HVLPplus 3.5mm IC, w/o base pl	V2194004353

Product versions adapter plate	Art. No.
adapter plate big, complete WA 900, Alu	V2190003000
adapter plate big, compl. circul. WA 900	V2190003UML
adapter plate small, compl. circul. WA900	V2190004UML
adapter plate steel, complete WA 900	V2190004003

PILOT WA 905 external control

Airspray automatic gun

For use with quick-change adapter plates.



Technical data	
Material pressure	8 bar, 116 PSI
Material inlet	G 1/4"
Material temperature	80 °C, 176.0 °F
Control air connection	G 1/8"
Atomizer air connection	Schlauch 8x6
Operating temperature	80 °C, 176.0 °F
Weight	660 g, 1.46 lb
Max. sound level	86 dB(A)
Control type	External control

Applying

AirSpray

Material wetted parts

- Stainless steel 1.4305

Included Items

- PILOT WA900/WA905 with nozzle insert
- Operating manual

Ordering information

- Choose between the following versions: conventional spray gun – HVLP Plus spray gun – HVLP spray gun
- Determine the required nozzle size.
- Please select the required adapter plate (not included in the scope of delivery)
- It is recommended to have a second gun without adapter plate available.

Product variants with conventional atomization	Art. No.
WA905 0.3mm AK, EC, w/o base plate	V2190506033
WA905 0.5mm AK, EC, w/o base plate	V2190506053
WA905 0.8mm AK, EC, w/o base plate	V2190506083
WA905 1.0mm AK, EC, w/o base plate	V2190506103
WA905 1.2mm AK, EC, w/o base plate	V2190506123
WA905 1.5mm AK, EC, w/o base plate	V2190506153
WA905 1.8mm AK, EC, w/o base plate	V2190506183
WA905 2.0mm AK, EC, w/o base plate	V2190506203
WA905 2.2mm AK, EC, w/o base plate	V2190506223
WA905 2.5mm AK, EC, w/o base plate	V2190506253
WA905 3.0 mm AK, EC, w/o base plate	V2190506303
WA905 3.5mm AK, EC, w/o base plate	V2190506353

Product variants with HVLP Plus	Art. No.
WA945-HVLPplus 0.3mm EC, w/o base plate	V2194504033
WA945-HVLPplus 0.5mm EC, w/o base plate	V2194504053
WA945-HVLPplus 0.8mm EC, w/o base plate	V2194504083
WA945-HVLPplus 1.0mm EC, w/o base plate	V2194504103
WA945-HVLPplus 1.2mm EC, w/o base plate	V2194504123
WA945-HVLPplus 1.5mm EC, w/o base plate	V2194504153

Product variants with HVL Plus	Art. No.
WA945-HVLPlus 1.8mm EC, w/o base plate	V2194504183
WA945-HVLPlus 2.0mm EC, w/o base plate	V2194504203
WA945-HVLPlus 2.2mm EC, w/o base plate	V2194504223
WA945-HVLPlus 2.5mm EC, w/o base plate	V2194504253
WA945-HVLPlus 3.0mm EC, w/o base plate	V2194504303
WA945-HVLPlus 3.5mm EC, w/o base plate	V2194504353

Product versions adapter plate	Art. No.
adapter plate VA compl. UML WA 905	V2190503UML
Adapter plate, aluminium for WA 905	V2190504000
ADAPTER	V2190504UML
Adapter plate, steel for WA 905	V2190503003

SupraCoat

WAGNER SupraCoat is based on HVLP technology and in comparison to so-called HVLP plug-in systems and conventional air guns, offers decisive advantages from all points of view. The low kinetic energy of the paint particles provides a very differentiated spray jet with little overspray or turbulence. Due to the optimized design of the SupraCoat gun, an excellent surface finish is achieved and lacquers with higher viscosities can also be applied.

1. Long service life

The diaphragm technology ensures a long service life coupled with rapid switching times.

2. Precise regulation of product quantities

Precise dosing can be achieved by setting the needle travel limitation with a digital adjustment on the back of the gun.

3. High Flexibility

Quickly adaptable to different materials (e.g., water- or solvent-based) simply by exchanging the air cap.

4. Outstanding surface finish

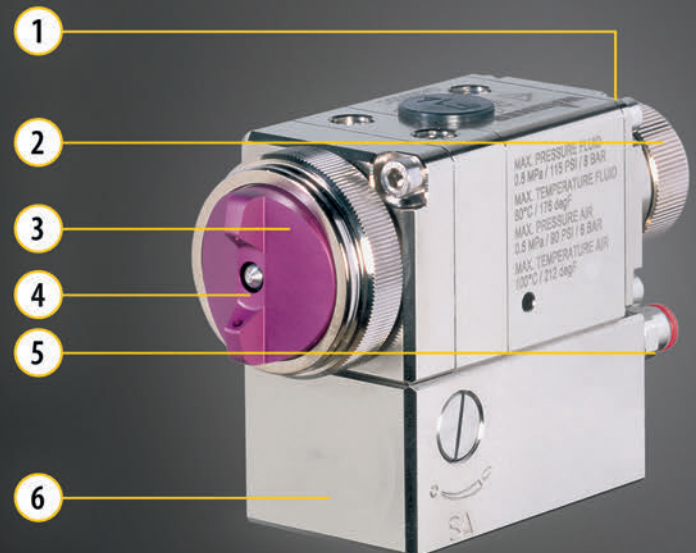
The application of HVLP technology guarantees a high transfer efficiency and perfect coating results.

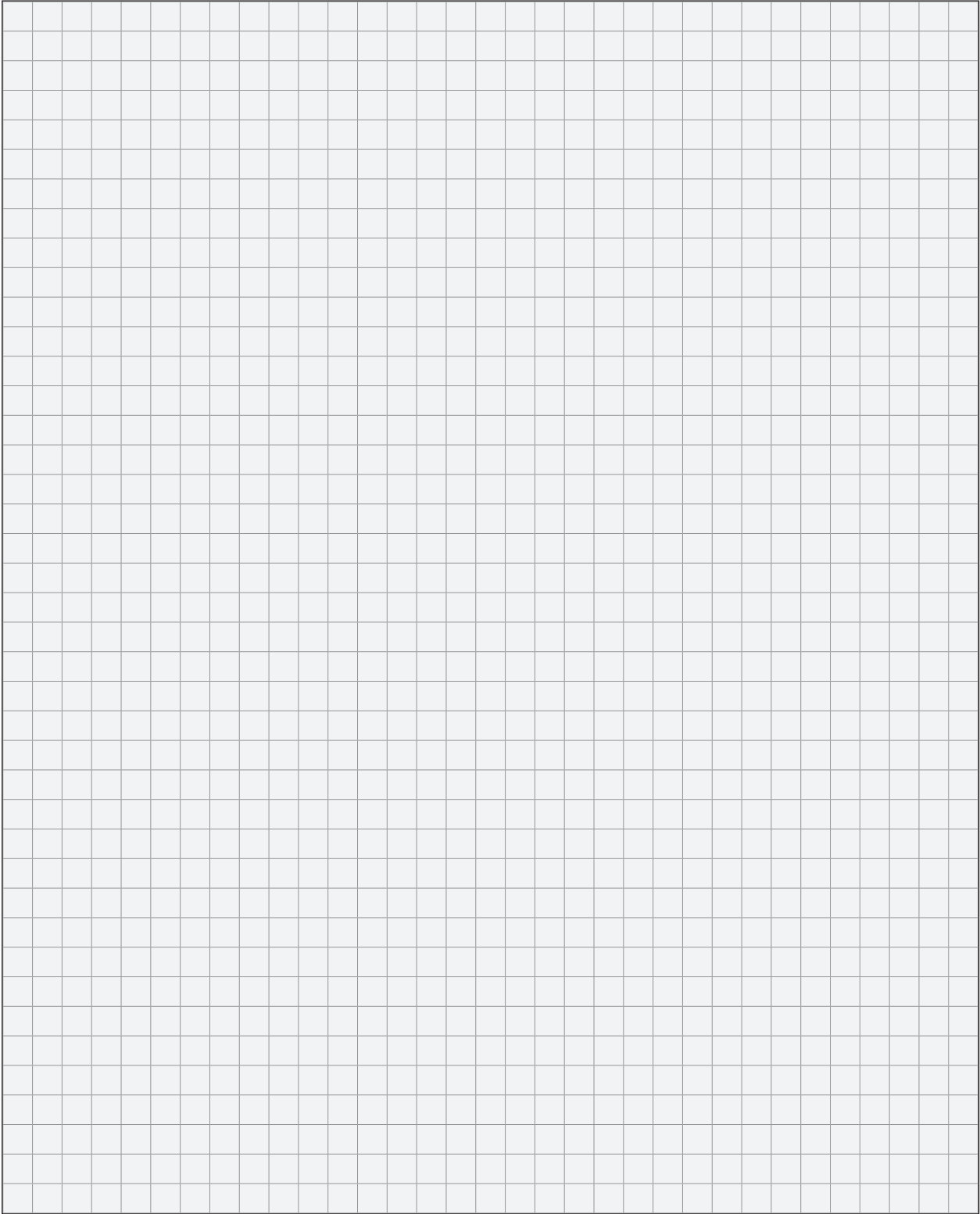
5. Optimum freedom of motion

The material and air connectors are positioned on the rear for maximum flexibility.

6. Highly versatile

Internally or externally controlled versions, standard and robot base plates and a wide range of accessories make the gun suitable for universal use.





SupraCoat



Technical data	
Material pressure	8 bar, 116 PSI
material connection	G 1/4"
Material temperature	80 °C, 176.0 °F
Air inlet pressure	0,4 – 0,6 MPa, 4,0 – 6,0 bar, 58 – 87 PSI
Air inlet connection	G 1/8"
Atomizer air connection	G 1/2"
Packing type	Standard
O-ring material	FKM
Operating temperature	5 – 40 °C, 41.0 – 104.0 °F
Max. sound level	82 dB(A)

Applying

AirSpray

Processable materials

- Metallic paints
- 1K high solid paints
- 1K water-based paints
- 1K solvent-based paints
- 2K water-based paints
- 2K solvent-based paints
- 2K high solid paints

Material wetted parts

- Tungsten carbide
- Stainless steel 1.4034
- Stainless steel 1.4305
- Stainless steel 1.4104
- Nickel-plated aluminum
- Nickel-plated brass
- UHMW-PE
- PTFE
- FPM
- POM

Included Items

- GA 3000SC
- Nozzle set
- CE declaration of conformity
- User manual

Ordering information

- Determine which gun type is required.
- Select the desired nozzle system and air cap.
- Determine whether you require material circulation.
- Select the material and air connections.
- Determine which hoses and accessories are required.

Product variants	Art. No.
Automatic GA 3000SCIC 0.5	383001
Autom. gun GA 3000SCIC 0.8	383002
Autom. gun GA 3000SCIC 1.0	383003
Autom. gun GA 3000SCIC 1.25	383004
Autom. gun GA 3000SCIC 1.6	383005
Autom. gun GA 3000SCIC 2.0	383006
Autom. gun GA 3000SCIC 2.5	383007
Autom. gun GA 3000SCIC 0.3	383008
Autom. gun GA 3000SCEC 0.5	383010
Autom. gun GA 3000SCEC 0.8	383011
Autom. gun GA 3000SCEC 1.0	383012
Autom. gun GA 3000SCEC 1.25	383013
Autom. gun GA 3000SCEC 1.6	383014
Autom. gun GA 3000SCEC 2.0	383015

Product variants	Art. No.
Autom. gun GA 3000SCEC 2.5	383016
Autom. gun GA 3000SCEC 0.3	383017
Autom. gun GA 3000SCEC 0.5 Robot	383020
Autom. gun GA 3000SCEC 1.0 Robot	383022
Autom. gun GA 3000SCEC 1.25 Robot	383023
Autom. gun GA 3000SCEC 1.6 Robot	383024
Autom. gun GA 3000SCEC 2.5 Robot	383026
Autom. gun GA 3000SCEC 0.3 Robot	383027
Autom. gun GA 3000SCEC 0.5 Robot Twin	383060
Autom. gun GA 3000SCEC 0.8 Robot Twin	383061
Autom. gun GA 3000SCEC 1.0 Robot Twin	383062
Autom. gun GA 3000SCEC 1.2 Robot Twin	383063
Autom. gun GA 3000SCEC 1.6 Robot Twin	383064
Autom. gun GA 3000SCEC 2.0 Robot Twin	383065
Autom. gun GA 3000SCEC 2.5 Robot Twin	383066
Autom. gun GA 3000SCEC 0.3 Robot Twin	383067

SupraCoat Controller

The SupraCoat Controller converts air drawn from the compressed air system into a volume flow with lower pressure and more volume.



Technical data

Air inlet pressure	0,0 – 10,0 bar, 0 – 145 PSI
Air inlet connection	G 1/2"
Air outlet connection	G 3/4"
Max. number of guns	1
Air consumption	400,0 m ³ /h
Max. sound level	83 dB(A)
Width	130 mm, 5.1 in.
Height	210 mm, 8.3 in.

Special advantages

- A low pressure converter designed specifically for the SupraCoat application
- Thanks to its compact design, the controller can be placed close to the gun.
- With the SupraCoat Controller, the required outlet pressure can be conveniently set at the front of the device and read off the integrated pressure gauge.

Suitable for product

- GA 3000SC

Ordering information

- Select the controller.
- Determine which accessories are required.

Product variants

Product variants	Art. No.
SupraCoat Controller	376010

Zubehör SupraCoat

WAGNER offers a comprehensive accessories range for AirCoat manual and automatic guns. Please select the components you require from this table. Further articles can be found in the WAGNER accessories catalog.

● Compatible with one another

GA 3000SCIC	GA 3000SCEC
-------------	-------------

Nozzles - flat jet				
Nozzle SC3000 0.50 set		●	●	383930
Nozzle SC3000 0.80 set		●	●	383931
Nozzle SC3000 1.00 set		●	●	383932
Nozzle SC3000 1.25 set		●	●	383933
Nozzle SC3000 1.60 set		●	●	383934
Nozzle SC3000 2.00 set		●	●	383935
Nozzle SC3000 2.50 set		●	●	383936
Nozzle SC3000 0.3 set		●	●	383937
Air caps - flat jet				
Air cap SC3000 2.00		●	●	383920
Air cap SC3000 2.50		●	●	383921
Air cap SC3000 3.15		●	●	383922
Air cap SC3000 4.00		●	●	383923
Material connection				
Connecting kit C D19		●	●	383960
Connecting kit C M24x1.5-d19		●	●	383961
Hose clip M24x1.5-d19		●	●	383962
Lock pin circulation				
Lock pin assy.		●	●	380923
Lock pin assy. UV		●	●	380963
Mounting accessories				
Holder standard 180		●	●	380941
Holder turnable		●	●	380942
Part-turn valve actuator assy.		●	●	380943
Holder turnable 40/40/5		●	●	380945
Robot adapter Fanuc to ABB			●	383980
Air hose				
Hose PEN 8/5,5 rot		●	●	9982063
Hose PEN 8/5,5 green		●	●	9982077
Other accessories				
Conversion set GA 3000SCIC UV set		●		383965
Conversion Kit GA3000SC EC UV			●	383983



PILOT GA 9010 Marking

The PILOT GA 9010 Marking is a fully automatic spray gun for spot and line marking. It is suitable for alphanumeric labelling. Sharp-edged markings are possible with the PILOT GA 9010 Marking. Thanks to the extremely short switching times (open, spray, close), it is ideal for use in production processes with short cycle times. Specially designed flushing devices and a robust construction ensure that the PILOT GA 9010 Marking delivers smooth production processes even under the most difficult conditions.

1. PILOT GA 9010 Marking

Fully automatic spray gun for spot and line marking.

2. PILOT GA 9010 Marking Membrane

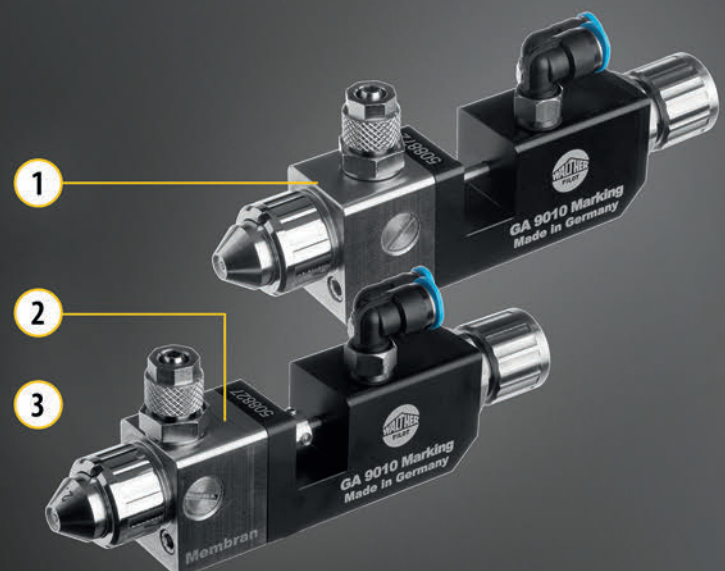
Robust, fully automatic sign-writing gun with membrane instead of needle seal. Especially suitable for processing abrasive or moisture-hardening materials as well as quick-drying paints.

3. Typical applications

- Markings following weld seam inspection of sheets and pipes
- Marking of rejects
- OK component marking
- Machine-recognisable marking following leak check
- Labelling as an orientation tool
- Labelling of different construction types with the same appearance
- Production line identification (e.g. cutting and bending lines)

Applying

AirSpray



PILOT GA 9010 Marking



Color marking intended to make quality standards visible or for process control are an essential component in modern production systems. These systems work with small amounts of paint and high precision. Consequently, only the GA9010 Marking automatic air spray guns can be used which feature extremely short switching times.



Technical data	
Material pressure	0 – 6 bar, 0 – 87 PSI
Material inlet	G 1/8"
Type of material connection	Materialanschluss
Atomizer air pressure	0,6 MPa, 6 bar, 87 PSI
Control air connection	PK3
Atomizer air connection	PK 4
Operating temperature	80 °C, 176.0 °F
Weight	0,3 kg, 0.6 lb
Max. sound level	83 dB(A)
Width	22 mm, 0.9 in.
Height	29 mm, 1.1 in.
Depth	128 mm, 5.0 in.

Material wetted parts

- Stainless steel 1.4305

Product variants with gravity feed cup	Art. No.
GA 9010 Marking Membran 0,3mm round 2.1	V2132151033
GA 9010 Marking Membran 0,5mm round 2.1	V2132151053
GA 9010 Marking Membran 0,8mm round 2.2	V2132151083
GA 9010 Marking Membran 1,0mm round 2.2	V2132151103
GA 9010 Marking Membran 1,2mm round 2.3	V2132151123
GA 9010 Marking Membran 1,5mm round 2.3	V2132151153
GA 9010 Marking 0,3mm round spray 2.1	V2130051033
GA 9010 Marking 0,5mm round spray 2.1	V2130051053
GA 9010 Marking 0,8mm round spray 2.2	V2130051083
GA 9010 Marking 1,0mm round spray 2.2	V2130051103
GA 9010 Marking 1,2mm round spray 2.3	V2130051123
GA 9010 Marking 1,5mm round spray 2.3	V2130051153
GA 9010 Marking Block 0.3mm Roun spr 2.1	V2130151033
GA 9010 Marking Block 0.5mm Roun spr 2.1	V2130151053
GA9010 Marking Mem.Block 0,3mm round 2.1	V2132251033
GA9010 Marking Mem.Block 0,5mm round 2.1	V2132251053
GA 9010 flush valve 45°distrib., Diaph.	V2132800053

AirCoat manual and automatic guns

WAGNER AirCoat combines Airless and air atomizing spraying technologies. It not only delivers an excellent coating quality using significantly less spray pressure than Airless and significantly less overspray than the AirSpray procedure, but is also a lot faster. WAGNER AirCoat manual and automatic guns offer not only ease of use, ergonomics, and low maintenance, but also precision, and a long service life.

1. Best atomization

The AirCoat atomization provides a softer and smoother spray pattern. Thanks to the new air cap design, the material pressure is reduced and the spray pattern becomes more homogenous.

2. Optimal ergonomics

With two different gun sizes that accommodate different users and low trigger and holding forces, these guns are notable for their fatigue-free handling.

3. WAGNER Cage filter

Newly developed gun filter. Compact and with high filter capacity. Installation with no risk of confusion. Thanks to the special filter design a significantly higher service life and a significantly easier filter change without tools is achieved.

4. High application efficiency

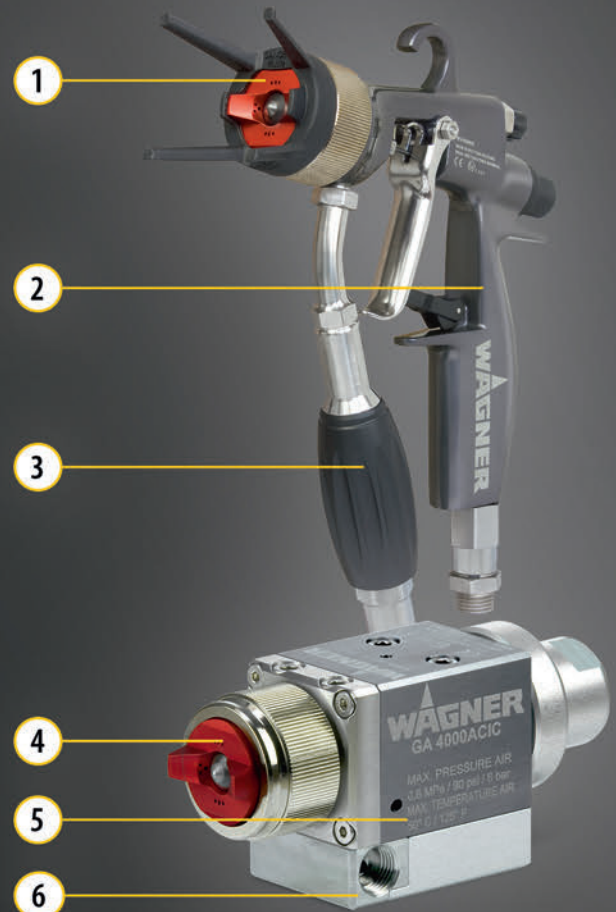
The fine and soft atomization combined with a homogenous particle size ensure a high application efficiency.

5. Light and compact

The GA 4000AC is the smallest and lightest automatic AirCoat gun of its class. This allows for more flexibility during installation and the lowest possible accelerated mass with quick movement sequences. Crucial in modern process automation.

6. Fixed settings

The WAGNER base plate system maintains all settings and the exact position during nozzle and gun changes. This allows reproducible coating results. Various base plates and adapters allow the integration into all current coating systems.



GM 4100AC

AirCoat manual gun

Light AirCoat manual gun with excellent ergonomics for smaller hands. With various nozzles and air caps for low-viscosity and highest-viscosity products.



Technical data	
Fluid inlet	A – NPSM 1/4"
Compressed air connection	A – G 1/4"
Max. material pressure	250,0 bar, 3626 PSI
Max. material temperature	55 °C, 131.0 °F
Max. air inlet pressure	8,0 bar, 116 PSI
Operating temperature	5 – 40 °C, 41.0 – 104.0 °F
Weight	0,6 kg, 1.3 lb
Max. sound level	82 dB(A)
Length	173,0 mm, 6.8 in.
Height	206 mm, 8.1 in.

Processable materials

- Stains
- Textured paints
- Clear coats
- Solvent and water based materials
- 2K materials
- High solids
- UV paints

Material wetted parts

- Tungsten carbide
- Stainless steel
- POM
- PTFE
- FPM
- PA

Included items

- GM 4100AC
- without nozzle
- Edge filter 100 mesh
- Return spring for 160/250 bar
- CE Declaration of Conformity
- Operating manual

Ordering information

- Selectable with or without air cap.
- Please always order the nozzle separately.

Product variants	Art. No.
GM 4100AC 25MPa NPSM1/4"	394012
GM 4100AC - 21000	2302513
GM 4100AC - 22000	2302514

Service sets	Art. No.
Service kit GM4100AC	394940
Swivel joint kit - GM 4100AC	394931

GM 4700AC

AirCoat manual gun

Light AirCoat manual gun with excellent ergonomics for larger hands. With various nozzles and air caps for materials with low-viscosity and highest-viscosity.



Technical data

Fluid inlet	A – NPSM 1/4"
Compressed air connection	A – G 1/4"
Max. material pressure	250,0 bar, 3626 PSI
Max. material temperature	55 °C, 131.0 °F
Max. air inlet pressure	8,0 bar, 116 PSI
Operating temperature	5 – 40 °C, 41.0 – 104.0 °F
Weight	0,6 kg, 1.3 lb
Max. sound level	82 dB(A)
Length	173,0 mm, 6.8 in.
Height	216 mm, 8.5 in.

Applying

AirCoat

Processable materials

- Stains
- Textured paints
- Clear coats
- Solvent and water based materials
- 2K materials
- High solids
- UV paints

Material wetted parts

- Tungsten carbide
- Stainless steel
- POM
- PTFE
- FPM
- PA

Included items

- GM 4700AC
- CE Declaration of Conformity
- Operating manual
- Cagefilter 100 meshes
- Swivel joint (paint)
- Return spring 160/250 bar

Ordering information

- Selectable with or without air cap.
- Please always order the nozzle separately.

Product variants	Art. No.
GM 4700AC 25MPa NPSM1/4"	2313585
GM 4700AC 25MPa-LV plus	2313586
GM 4700AC 25MPa-HV plus	2313587
GM 4700AC 25MPa-LA plus	2313588

Service sets	Art. No.
Service kit GM 4600AC/ GM 4700AC	394941

GM 4700AC-H

AirCoat manual gun

Light AirCoat manual guns with insulation for processing heated materials. The gun is designed for a product pressure of up to 350 bar.



Technical data	
Fluid inlet	A – NPSM 1/4"
Compressed air connection	A – G 1/4"
Max. material pressure	350,0 bar, 5076 PSI
Max. material temperature	80 °C, 176.0 °F
Max. air inlet pressure	8,0 bar, 116 PSI
Operating temperature	5 – 40 °C, 41.0 – 104.0 °F
Weight	0,6 kg, 1.3 lb
Max. sound level	82 dB(A)
Length	173,0 mm, 6.8 in.
Height	216 mm, 8.5 in.

Processable materials

- Stains
- Textured paints
- Clear coats
- Solvent and water based materials
- 2K materials
- High solids
- UV paints

Material wetted parts

- Tungsten carbide
- Stainless steel
- POM
- PTFE
- FPM
- PA

Included Items

- GM 4700AC-H
- CE Declaration of Conformity
- Operating manual
- Cagefilter 100 meshes

Ordering information

- Selectable with or without air cap.
- Please always order the nozzle separately.

Product variants	Art. No.
GM 4700AC-H 35MPa NPSM1/4"	2315700

GA 4000ACIC

AirCoat automatic gun

AirCoat automatic guns with internal controller for the installation in automated lacquer spraying systems. Various base plates allow numerous installation options. With or without circulation.



Technical data

Fluid inlet	1 – G 1/4"
Compressed air connection	8 mm
Max. material pressure	250,0 bar, 3626 PSI
Max. material temperature	80 °C, 176.0 °F
Max. air inlet pressure	8,0 bar, 116 PSI
Operating temperature	5 – 40 °C, 41.0 – 104.0 °F
Ambient temperature	5 – 40 °C, 41 – 104 °F
Weight	0,7 kg, 1.5 lb
Max. sound level	82 dB(A)
Length	129,0 mm, 5.1 in.
Width	47 mm, 1.9 in.
Height	60 mm, 2.4 in.

Processable materials

- Top coat paints
- Primers
- Corrosion protection
- Textured paints
- Stains
- Clear coats
- Water-based release agents
- Solvent-based release agents

Material wetted parts

- Stainless steel
- Tungsten carbide
- UHMW-PE
- PTFE
- POM
- PA
- EPDM

Included items

- GA 4000AC
- User manual
- CE Declaration

Ordering information

- Please order air cap, nozzle and base plate separately.
- Take material and air connections into account.
- Diverse selection of accessories for assembly and system integration.
- Variant (RP) with package insert for opening.

Product variants	Art. No.
Gun GA 4000ACIC	2312132
Gun GA 4000ACIC (RP)	2338603
Packing insert GA 4000AC (RP)	2338601
Base plate GA 4000ACIC-S	2312144
Base plate GA 4000ACIC-R	2308810
Base plate GA 4000ACIC-S	2363386

GA 4000ACEC

AirCoat automatic gun

AirCoat automatic guns with external controller for the installation in automated lacquer spraying systems. Various base plates allow numerous installation options. With or without circulation.



Technical data

Fluid inlet	I – G 1/4"
Compressed air connection	8 mm
Max. material pressure	250,0 bar, 3626 PSI
Max. material temperature	80 °C, 176.0 °F
Max. air inlet pressure	8,0 bar, 116 PSI
Operating temperature	5 – 40 °C, 41.0 – 104.0 °F
Ambient temperature	5 – 40 °C, 41 – 104 °F
Weight	0,6 kg, 1.4 lb
Max. sound level	82 dB(A)
Length	115,0 mm, 4.5 in.
Width	47 mm, 1.9 in.
Height	60 mm, 2.4 in.

Processable materials

- Top coat paints
- Primers
- Corrosion protection
- Textured paints
- Stains
- Clear coats
- Water-based release agents
- Solvent-based release agents

Material wetted parts

- Stainless steel
- Tungsten carbide
- UHMW-PE
- PTFE
- POM
- PA
- EPDM

Included Items

- GA 4000AC
- User manual
- CE Declaration

Ordering information

- Please order air cap, nozzle and base plate separately.
- Take material and air connections into account.
- Diverse selection of accessories for assembly and system integration.
- Variant (RP) with package insert for opening.

Product variants	Art. No.
Gun GA 4000ACEC	2312145
Gun GA 4000ACEC (RP)	2338602
Base plate GA 4000ACEC side con.	2312146
Base plate GA 4000ACEC-R	2308812
Base plate GA 4000ACEC-Fanuc Robot	2313677

AirCoat manual and automatic gun accessories

WAGNER offers a comprehensive accessories range for AirCoat manual and automatic guns. Please select the components you require from this table. Further articles can be found in the WAGNER accessories catalog.

● Compatible with one another

GM 4100AC	GM 4700AC	GM 4700AC-H	GA 4000ACIC	GA 4000ACEC
-----------	-----------	-------------	-------------	-------------

Filter inserts					
Edge filter 60 mesh	●				3204604
Edge filter 100 mesh	●				3204605
Edge filter 200 mesh	●				9999002
Cage Filter -200M-red-10pcs.		●	●		2315723
Cage Filter -150M-blue -10pcs.		●	●		2315724
Cage Filter -100M-yellow -10pcs.		●	●		2315725
Cage Filter -50M-white-10pcs.		●	●		2315726
Cage Filter -30M-green -10pcs.		●	●		2365429
Nozzles - flat jet					
Nozzle ACF3000	●	●	●	●	379XXX
ACF 3000 plus (see nozzle chart)	●	●	●	●	321xxx
Düsen - Flachstrahl - Eroded					
Nozzle ACF3000 11/20-S2 (P4)	●	●	●	●	2368877
Nozzle ACF3000 11/40-S2 (P4)	●	●	●	●	2368879
Nozzle ACF3000 11/60-S2 (P4)	●	●	●	●	2368896
Nozzle ACF3000 11/80-S2 (P4)	●	●	●	●	2368876
Nozzle ACF3000 13/40-S2 (P4)	●	●	●	●	2368880
Nozzle ACF3000 13/60-S2 (P4)	●	●	●	●	2368897
Nozzle ACF3000 13/80-S2 (P4)	●	●	●	●	2368898
Nozzle ACF3000 15/60-S2 (P4)	●	●	●	●	2368899
Nozzle ACF3000 11/10-S2 (P4)	●	●	●	●	2391809
Nozzle ACF3000 9/40-S2 (P4)	●	●	●	●	2391811
Air caps - flat jet					
Air cap HV plus (blue / GM 4x00AC)	●	●	●		2313497
Air cap LV plus (red / GM 4x00AC)	●	●	●		2313494
Air cap LA plus (bronze / GM 4x00AC)	●	●	●		2313498
Air cap HV plus (blue / GA 4000AC)				●	2308809
Air cap LV plus (red / GA 4000AC)				●	2308808
Air cap LA plus (bronze / GA 4000AC)				●	2313493
Nozzle - round jet					
Nozzle insert R11	●	●	●	●	132720
Nozzle insert R12	●	●	●	●	132721
Nozzle insert R13	●	●	●	●	132722
Nozzle insert R14	●	●	●	●	132723
Nozzle insert R15	●	●	●	●	132724
Nozzle insert R16	●	●	●	●	132725
Nozzle insert R17	●	●	●	●	132726
Nozzle insert R18	●	●	●	●	132727
Nozzle insert R19	●	●	●	●	132728
Nozzle insert R20	●	●	●	●	132729
Nozzle insert R21	●	●	●	●	132730
Nozzle insert R22	●	●	●	●	132731

AirCoat manual and automatic gun accessories

WAGNER offers a comprehensive accessories range for AirCoat manual and automatic guns. Please select the components you require from this table. Further articles can be found in the WAGNER accessories catalog.

● Compatible with one another

	GM 4100AC	GM 4700AC	GM 4700AC-H	GA 4000ACIC	GA 4000ACEC	
Air cap - round spray						
Round jet Nonzzle adapter	●	●	●	●	●	394180
Nozzle extensions						
Nozzle extension AC 300	●	●	●	●	●	394090
Nozzle extension AC 600	●	●	●	●	●	394091
Gun flush box						
GFB for GM 4100 AC	●					2308814
GFB for GM 4600 AC		●	●			377174
AirCoat Hose packages						
AC-Hose-DN4-PN270-1/4"NPS-7,5m-PA-T	●	●	●			2309706
AC-Hose-DN4-PN270-1/4"NPS-15,0m-PA-T	●	●	●			2309634
AC-Hose-DN4-PN270-1/4"NPS-20,0m-PA-T	●	●	●			2309635
AC-Hose-DN3-PN270-1/4"NPS-7,5m-PA-T	●	●	●			2309705
AC-Hose-DN4-PN270-1/4"NPS-10,0m-PA-T	●	●	●			2312801
Fitting-EF-MM-R1/4-1/4NPSM-530bar-SSt				●	●	2314065
Fitting-DF-MM-G1/4-1/4NPSM-530bar-SSt				●	●	350550
Hose-4/11.1mm-PN250-HV-G1/4-1.3m-FEP				●	●	2359881
Hose-4/11.1mm-PN250-HV-G1/4-8.0m-FEP				●	●	2366740
Hose-4/11.1mm-PN250-HV-G1/4-6.0m-FEP				●	●	2366738
Hose-4/11.1mm-PN250-HV-G1/4-1.5m-FEP				●	●	2366737
Lock pin circulation						
Lock pin assy.				●	●	2310534
Lock pin FKM assy.				●	●	2314064
Swivel						
Fitting-SJM-GM4100AC-1/4"NPS	●					394926
SJA-MF-G1/4"-G1/4"-PN15-brass	●					364938
Swivel joint kit - GM 4100AC	●					394931
Mounting accessories						
Holder standard 180				●	●	380941
Holder turnable				●	●	380942
Part-turn valve actuator assy.				●	●	380943
Adapter plate Cefla				●	●	2314079
Robot adapter Fanuc to ABB					●	383980
Service sets						
Sealing-set GA 4000ACIC (EPDM)				●		2322532
Sealing-set GA 4000ACEC (EPDM)					●	2322533

AirCoat manual and automatic gun accessories

WAGNER offers a comprehensive accessories range for AirCoat manual and automatic guns. Please select the components you require from this table. Further articles can be found in the WAGNER accessories catalog.

● Compatible with one another

GM 4100AC	GM 4700AC	GM 4700AC-H	GA 4000ACIC	GA 4000ACEC
-----------	-----------	-------------	-------------	-------------

High precision NozzleSets						
ACF3000 9/40 S2 (P4)				●	●	2391811
ACF3000 11/10 S2 (P4)				●	●	2391809
ACF3000 11/20 S2 (P4)				●	●	2368877
ACF3000 11/30 S2 (P4)				●	●	2396188
ACF3000 11/40 S2 (P4)				●	●	2368879
ACF3000 11/60 S2 (P4)				●	●	2368896
ACF3000 11/80 S2 (P4)				●	●	2368876
ACF3000 13/40 S2 (P4)				●	●	2368880
ACF3000 13/60 S2 (P4)				●	●	2368897
ACF3000 13/80 S2 (P4)				●	●	2368898
ACF3000 15/60 S2 (P4)				●	●	2368899
ACF3000 17/80 S2 (P4)				●	●	2396189

AirCoat manual and automatic gun accessories

WAGNER offers a comprehensive accessories range for AirCoat manual and automatic guns. Please select the components you require from this table. Further articles can be found in the WAGNER accessories catalog.

● Compatible with one another

Nozzle Chart | ACF 3000

Part-No. 379xxx

To identify the part number of a nozzle, please use the number in the chart and replace the xxx. Example: to order a 411 nozzle use the part no.: 379411



Size	Spray angle						
	10°	20°	30°	40°	50°	60°	80°
07	107	207		407			
09		209	309	409	509	609	
11	111	211	311	411	511	611	811
13	113	213	313	413	513	613	813
15	115	215	315	415	515	615	815
17		217	317	417	517	617	817
19		219	319	419	519	619	819
21		221		421	521	621	821
23				423		623	823

Material filter (in mesh)		Bore inch (mm)	Material flow* l/min (gal/min)
Edge filter	Gun filter		
200	200	0,007 (0,18)	0,23 (0,061)
100	200	0,009 (0,23)	0,26 (0,069)
60	150	0,011 (0,28)	0,38 (0,100)
	100	0,013 (0,33)	0,55 (0,145)
	50	0,015 (0,38)	0,75 (0,198)
		0,017 (0,43)	0,96 (0,254)
		0,019 (0,48)	1,20 (0,317)
		0,021 (0,53)	1,45 (0,383)
		0,023 (0,58)	1,79 (0,473)

55	100	145	195	250	300	400
(2,17)	(3,94)	(5,71)	(7,68)	(9,84)	(11,81)	(15,75)

Average spray width mm (inch)**

* Measured with water at 100 bar

** Measured with 110 bar (1595 psi), 30 cm (11.81 inch) distance, lacquer 56DIN-4s

Nozzle Chart | ACF 3000 plus

Part-No. 321xxx

To identify the part number of a nozzle, please use the number in the chart and replace the xxx. Example: to order a 410 nozzle use the part no.: 321410



Size	Spray angle				
	20°	30°	40°	50°	60°
08	208	308	408	508	
10	210	310	410	510	610
12	212	312	412	512	612
14	214	314	414	514	614
16	216	316	416	516	616
18	218	318	418	518	618
20		320	420		620
22			422		622

Material filter (in mesh)	
Edge filter	Gun filter
200	200
100	150
60	100
	SR

Bore inch (mm)	Material flow* l/min (gal/min)
0,008 (0,20)	0,22 (0,058)
0,010 (0,25)	0,32 (0,084)
0,012 (0,30)	0,44 (0,116)
0,014 (0,36)	0,60 (0,159)
0,016 (0,41)	0,76 (0,201)
0,018 (0,46)	0,92 (0,244)
0,020 (0,51)	1,13 (0,299)
0,022 (0,56)	1,37 (0,362)

100	145	195	250	300
(3,94)	(5,71)	(7,68)	(9,84)	(11,81)

Average spray width mm (inch)**

* Measured with water at 100 bar

** Measured with 110 bar (1595 psi), 30 cm (11.81 inch) distance, lacquer 56DIN-4s

Airless manual and automatic guns

WAGNER Airless guns excel in daily use thanks to their extreme robustness and their very efficient atomization quality for pressures up to 530 bar. The product spectrum extends from finishing manual guns to extremely robust corrosion protection guns and various automatic guns.

1. ProfiTip

Excellent coating results with the ProfiTip reversible nozzle which attracts little dirt for quickly remedying blockages. Nozzle holder can be freely adjusted.

2. Robust housing

Extreme stable and light gun housing made from Consistal

3. Free-moving trigger

Low release and retention forces ensure fatigue-free working.

4. Safety and comfort

Protective bracket to prevent the trigger being activated by mistake. Also a tool for changing the filter.

5. Ergonomics

Handle that fits perfectly in the hand with thermal insulation for working with heated product.

6. Flexible

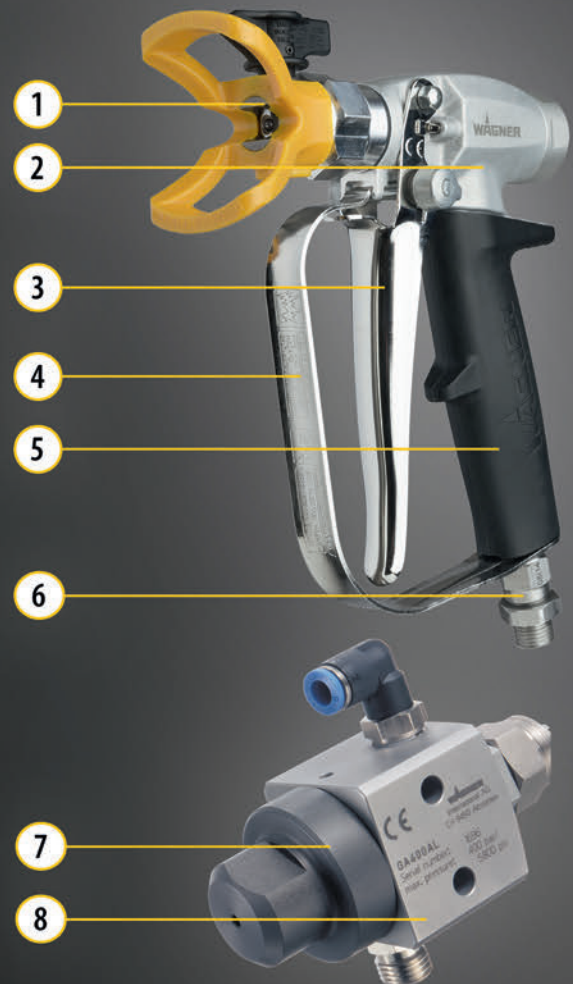
Easy-to-move and long-lasting rotary fitting under the cage filter significantly improves ergonomics.

7. Process reliability

The high switching accuracy of the gun produces reproducible coating results every time and achieves excellent process reliability.

8. Long service life

All parts that come into contact with the material are made of stainless steel, ensuring a long service life and superior corrosion resistance.



AG 14

Airless manual gun

Airless manual gun for up to 270 bar for Airless finishing applications. With filter and swivel joint. Various nozzle attachments.



Technical data	
Nozzle holder thread	F-Gewinde (11/16 - 16 UN/2A)
Max. material pressure	270 bar, 3916 PSI
Fluid inlet	A – NPS 1/4"
Max. material temperature	43 °C, 109.4 °F
Ambient temperature	5, 40 °C, 41.0 – 104.0 °F
Weight	590 g, 1.30 lb
Max. sound level	81 dB(A)
Length	125,0 mm, 4.9 in.
Height	225 mm, 8.9 in.

Processable materials

- Filler
- Corrosion protection
- Latex paints
- Mica paints
- Zinc dust colors
- Large surface coating

Material wetted parts

- Tungsten carbide
- Stainless steel
- UHMW-PE
- Nylon
- Urethane

Included Items

- AG 14
- Operating manual
- CE Declaration of Conformity
- Material filter, red (200 ml)
- Nozzle holder

Ordering information

- Please order the desired nozzle which matches the nozzle holder.

Product variants	Art. No.
Gun AG-14 for WagnerTip, NPS1/4"	257015
Gun AG-14 f-thread 11/16" NPS1/4"	257017
Gun AG-14 f-thread 11/16" NPS1/4"	2305433

PROTEC GM 1-530

Airless manual gun

Airless manual gun with 4-finger trigger for heavy corrosion protection up to 530 bar. With filter, ProfiTip nozzle holder, and rotary fitting. Can also be used with insulating handle for heated product.



Technical data	
Nozzle holder thread	G-Gewinde (7/8 - 14 UN/2A)
Max. material pressure	530 bar, 7687 PSI
Fluid inlet	A – NPS 1/4"
Max. material temperature	80 °C, 176.0 °F
Weight	580 g, 1.28 lb
Max. sound level	85 dB(A)
Length	130,0 mm, 5.1 in.
Height	188 mm, 7.4 in.

Applying

Airless

Processable materials

- Zinc rich paints
- High solids
- 2K corrosion protection colors
- Anti-fouling coatings
- Epoxy primers

Material wetted parts

- Stainless steel
- Aluminum
- PTFE
- Tungsten carbide

Included Items

- Airless gun GM 1
- Nozzle holder ProfiTip
- Cage filter white, 50 mesh
- Operating manual
- CE Declaration of Conformity

Product variants	Art. No.
GM 1-530	2349287

Service sets	Art. No.
Service Kit GM1 G-Thread	2353551

PROTEC GM 1-350

Airless manual gun

Airless manual gun with 2-finger trigger for corrosion protection and finishing up to 350 bar. With filter, ProfiTip nozzle holder, and rotary fitting. Can also be used with insulating handle for heated product.



Technical data

Nozzle holder thread	G-Gewinde (7/8 - 14 UN/2A)
Max. material pressure	350 bar, 5076 PSI
Fluid inlet	A – NPS 1/4"
Max. material temperature	80 °C, 176.0 °F
Weight	560 g, 1.23 lb
Max. sound level	85 dB(A)
Length	130,0 mm, 5.1 in.
Height	188 mm, 7.4 in.

Processable materials

- Zinc rich paints
- High solids
- 2K corrosion protection colors
- Anti-fouling coatings
- Epoxy primers

Material wetted parts

- Stainless steel
- Aluminum
- PTFE
- Tungsten carbide

Included Items

- Airless gun GM 1
- Nozzle holder ProfiTip
- Cage filter white, 50 mesh
- Operating manual
- CE Declaration of Conformity

Product variants	Art. No.
Airless Gun GM 1-350	2349286

Service sets	
Service Kit GM1 G-Thread	2353551

GA 250AL

Airless automatic gun

Airless automatic gun for product pressures up to 250 bar.



Technical data	
Max. material pressure	250 bar, 3626 PSI
Fluid inlet	A – G 1/4"
Max. material temperature	60 °C, 140.0 °F
Ambient temperature	5, 40 °C, 41.0 – 104.0 °F
Weight	545 g, 1.20 lb
Max. sound level	84 dB(A)
Length	104,0 mm, 4.1 in.
Width	40 mm, 1.6 in.
Height	40 mm, 1.6 in.

Applying

Airless

Processable materials

- Top coat paints
- Primers
- Corrosion protection
- Textured paints
- Stains
- Clear coats
- Water-based release agents
- Solvent-based release agents
- Oils

Material wetted parts

- Tungsten carbide
- Stainless steel
- UHMW-PE
- PA
- Urethane

Included Items

- GA 250AL
- CE declaration of conformity
- User manual

Product variants	Art. No.
Spray gun GA250 AL	350033

GA 400AL

Airless automatic gun

Airless automatic gun for product pressures of up to 400 bar.



Technical data	
Max. material pressure	400 bar, 5802 PSI
Fluid inlet	A – G¼"
Max. material temperature	60 °C, 140.0 °F
Ambient temperature	5, 40 °C, 41.0 – 104.0 °F
Weight	545 g, 1.20 lb
Max. sound level	84 dB(A)
Length	104,0 mm, 4.1 in.
Width	40 mm, 1.6 in.
Height	40 mm, 1.6 in.

Processable materials

- Top coat paints
- Primers
- Corrosion protection
- Textured paints
- Stains
- Clear coats
- Water-based release agents
- Solvent-based release agents
- Oils

Material wetted parts

- Tungsten carbide
- Stainless steel
- UHMW-PE
- PA
- Urethane

Included Items

- GA 400AL
- CE declaration of conformity
- User manual

Product variants	Art. No.
Spray gun GA400 AL	350032

Airless manual and automatic gun accessories

WAGNER offers a comprehensive accessories range for Airless manual and automatic guns. Please select the components you require from this table. Further articles can be found in the WAGNER accessories catalog.

● Compatible with one another

AG 14	PROTEC GM 1-530	PROTEC GM 1-350	GA 250AL	GA 400AL
-------	-----------------	-----------------	----------	----------

Filter inserts					
Inline filter insert red-180-10pcs	●				97022
Inline filter insert yellow-100-10pcs	●				97023
Inline filter insert white-50-10pcs	●				97024
Inline filter insert green-30-10pcs	●				97025
Cage Filter -150M-blue -10pcs.		●	●		2315724
Cage Filter -100M-yellow -10pcs.		●	●		2315725
Cage Filter -50M-white-10pcs.		●	●		2315726
Cage Filter -30M-green -10pcs.		●	●		2365429
Edge Filter Insert Profi-Tip assy (P10)				●	2336549
Nozzles - flat jet					
Wagner TIP	●			●	1088xxx
Standard Nozzle (see nozzle chart)	●				90xxx
Standard Nozzle plus (see nozzle chart)	●				323xxx
Wagner Profi Tip HP (see nozzle chart)	●	●	●	●	1006xxx
PROTEC TIP	●	●	●	●	556xxx
Nozzle holder					
Contact guard assy.	●			●	335209
Wagner Tip „F“ retainer	●			●	1088001
Wagner Profi Tip „F“ reversing switch	●				1006001
Wagner Profi Tip HP „F“ reversing switch	●			●	1006003
Wagner Profi Tip „G“ reversing switch	●				1006002
Tip holder Wagner tip 7/8 UNF		●	●		2371338
Contact guard assy. 7/8 UNF		●	●		2371336
Nozzle extensions					
Tip extension assy.15cm F-thread	●				556051
Tip extension assy.30cm F-thread	●				556052
Tip extension assy.45cm F-thread	●				556053
Tip extension assy.60cm F-thread	●				556054
Tip extension assy. 1m	●				96015
Tip extension assy. 2m	●				96016
Tip extension assy.3m	●				96017
Cavity sealing lance assy 350mm				●	2331802
Cavity sealing lance assy 800mm R12				●	2356287
support for blowing row 797x40x30				●	2354550
Cavity sealing lance assy. 120mm/R15				●	2360150

Airless manual and automatic gun accessories

WAGNER offers a comprehensive accessories range for Airless manual and automatic guns. Please select the components you require from this table. Further articles can be found in the WAGNER accessories catalog.

● Compatible with one another

AG 14	PROTEC GM 1-530	PROTEC GM 1-350	GA 250AL	GA 400AL
-------	-----------------	-----------------	----------	----------

Gun flush box						
GFB for AG14	●				377167	
Gun flush box GFB GM 1		●	●		2363442	
AirCoat Hose packages						
Fitting-DF-MM-G1/4-1/4NPSM-530bar-SSt				●	●	350550
HP-Hose-DN6-PN530-¼"NPS-10,0m-PA		●	●			9984421
HP-Hose-DN10-PN530-3/8"NPS-15,0m-PA		●	●			9987118
HP-Hose-DN6-PN530-¼"NPS-1,5m-PA		●	●			9987117
Fitting-DF-MM-1/4NPSM-3/8NPSM-530bar-SSt		●	●			367561
Mounting accessories						
Holder D14 GA250AL, GA400AL				●	●	350480
Holding device D16 GA250AL, GA400AL				●	●	350497
Holder turnable				●	●	380942
Part-turn valve actuator assy.				●	●	380943
Nozzles - adjustable						
Adjustable fan tip 20	●					999053
Adjustable fan tip 28	●					999054
Adjustable fan tip 41	●					999055
Adjustable fan tip 49	●					999056
Adjustable fan tip 15	●					999057

Airless manual and automatic gun accessories

WAGNER offers a comprehensive accessories range for AirCoat manual and automatic guns. Please select the components you require from this table. Further articles can be found in the WAGNER accessories catalog.

● Compatible with one another

Nozzle Chart | PROTEC Tip

Part-No. 556xxx

To identify the part number of a nozzle, please use the number in the chart and replace the xxx. Example: to order a 417 nozzle use the part no.: 556417



Size	Spray angle						
	10°	20°	30°	40°	50°	60°	80°
13	113	213	313	413			
15	115	215	315	415	515	615	815
17	117	217	317	417	517	617	817
19	119	219	319	419	519	619	819
21		221	321	421	521	621	821
23		223	323	423	523	623	823
25		225	325	425	525	625	825
31			331		531		
33			333		533		
35			335		535		835
51			351		551		
55			355		555		
61			361		561		
65			365		565		

Material filter (in mesh)
200
100
50
30

Bore	Material flow*
inch (mm)	l/min (gal/min)
0,013 (0,33)	0.50 (0.15)
0,015 (0,38)	0.70 (0.19)
0,017 (0,43)	0.85 (0.22)
0,019 (0,48)	1.00 (0.26)
0,021 (0,53)	1.20 (0.32)
0,023 (0,58)	1.40 (0.37)
0,025 (0,64)	1.60 (0.42)
0,031 (0,79)	2.25 (0.60)
0,033 (0,84)	2.50 (0.66)
0,035 (0,89)	2.80 (0.74)
0,051 (1,30)	5.20 (1.38)
0,055 (1,40)	6.00 (1.59)
0,061 (1,55)	7.50 (1.98)
0,065 (1,65)	9.00 (2.38)

51 (2,0)	104 (4,0)	152 (6,0)	203 (8,0)	254 (10,0)	305 (12,0)	356 (14,0)
Average spray width (inch)**						

* Measured with water at 100 bar

** Measured with 110 bar (1595 psi), 30 cm (11.81 inch) distance, lacquer 56DIN-4s

Applying

Airless

Airless manual and automatic gun accessories

WAGNER offers a comprehensive accessories range for AirCoat manual and automatic guns. Please select the components you require from this table. Further articles can be found in the WAGNER accessories catalog.

● Compatible with one another

Nozzle Chart | Wagner Profi Tip HD

Part-No. 1006xxx

To identify the part number of a nozzle, please use the number in the chart and replace the xxx. Example: to order a 411 nozzle use the part no.: 1006411



Size	Spray angle							
	10°	20°	30°	40°	50°	60°	70°	80°
07***				407				
09***		209	309	409	509	609		
11	111	211	311	411	511	611		
13	113	213	313	413	513	613		813
15	115	215	315	415	515	615	715	815
17		217	317	417	517	617	717	
19		219	319	419	519	619	719	819
21		221		421	521	621		821
23		223		423	523	623	723	823
25		225		425	525	625		825
27		227		427	527	627		827
29						629		
31		231		431	531	631		
35		235		435	535	635		
43		243			543			
52					552			

Material filter (in mesh)
200
100
50
30

Bore	Material flow*
inch (mm)	l/min (gal/min)
0.007 (0.18)	0.21 (0.055)
0.009 (0.23)	0.23 (0.061)
0.011 (0.28)	0.34 (0.090)
0.013 (0.33)	0.50 (0.132)
0.015 (0.38)	0.68 (0.180)
0.017 (0.43)	0.88 (0.232)
0.019 (0.48)	1.09 (0.288)
0.021 (0.53)	1.31 (0.346)
0.023 (0.58)	1.63 (0.431)
0.025 (0.64)	1.92 (0.507)
0.027 (0.69)	2.25 (0.594)
0.029 (0.75)	2.58 (0.682)
0.031 (0.79)	2.95 (0.779)
0.035 (0.90)	3.80 (1.004)
0.043 (1.10)	5.00 (1.321)
0.052 (1.30)	6.14 (1.622)

51 (2.0)	104 (4.0)	152 (6.0)	203 (8.0)	254 (10.0)	305 (12.0)	356 (14.0)	406 (16.0)
Average spray width (inch)**							

* Measured with water at 100 bar

** Measured with 110 bar (1595 psi), 30 cm (11.81 inch) distance, lacquer 56DIN-4s

*** Average spray width may vary

Airless manual and automatic gun accessories

WAGNER offers a comprehensive accessories range for AirCoat manual and automatic guns. Please select the components you require from this table. Further articles can be found in the WAGNER accessories catalog.

● Compatible with one another

Nozzle Chart | Wagner Tip

Part-No. 1088xxx

To identify the part number of a nozzle, please use the number in the chart and replace the xxx. Example: to order a 411 nozzle use the part no.: 1088411



Size	Spray angle							
	10°	20°	30°	40°	50°	60°	70°	80°
07**				407				
09**		209	309	409	509	609		
11	111	211	311	411	511	611		
13	113	213	313	413	513	613		813
15	115	215	315	415	515	615	715	815
17		217	317	417	517	617	717	
19		219	319	419	519	619	719	819
21		221		421	521	621		821
23		223		423	523	623	723	823
25		225		425	525	625		825
27		227		427	527	627		827
29						629		
31		231		431	531	631		
35		235		435	535	635		
43		243			543			
52					552			

Material filter (in mesh)
200
100
50
25

Bore	Material flow*
inch (mm)	l/min (gal/min)
0.007 (0.18)	0.21 (0.055)
0.009 (0.23)	0.23 (0.061)
0.011 (0.28)	0.34 (0.090)
0.013 (0.33)	0.50 (0.132)
0.015 (0.38)	0.68 (0.180)
0.017 (0.43)	0.88 (0.232)
0.019 (0.48)	1.09 (0.288)
0.021 (0.53)	1.31 (0.346)
0.023 (0.58)	1.63 (0.431)
0.025 (0.64)	1.92 (0.507)
0.027 (0.69)	2.25 (0.594)
0.029 (0.75)	2.58 (0.682)
0.031 (0.79)	2.95 (0.779)
0.035 (0.90)	3.80 (1.004)
0.043 (1.10)	5.00 (1.321)
0.052 (1.30)	6.14 (1.622)

51	104	152	203	254	305	356	406
(2.0)	(4.0)	(6.0)	(8.0)	(10.0)	(12.0)	(14.0)	(16.0)
Average spray width (inch)**							

* Measured with water at 100 bar

** Measured with 110 bar (1595 psi), 30 cm (11.81 inch) distance, lacquer 56DIN-4s

*** Average spray width may vary

Applying

Airless

Airless manual and automatic gun accessories

WAGNER offers a comprehensive accessories range for AirCoat manual and automatic guns. Please select the components you require from this table. Further articles can be found in the WAGNER accessories catalog.

● Compatible with one another

Nozzle Chart | Standard Tip

Part-No. 90xxx

To identify the part number of a nozzle, please use the number in the chart and replace the xxx. Example: to order a 411 nozzle use the part no.: 90411



Size	Spray angle							
	10°	20°	30°	40°	50°	60°	70°	80°
07***				407	507			
09***		209	309	409	509	609		
11	111	211	311	411	511	611		
13	113	213	313	413	513	613		813
15	115	215	315	415	515	615	715	815
17		217	317	417	517	617	717	
19		219	319	419	519	619	719	819
21		221		421	521	621		821
23		223		423	523	623	723	823
25		225		425	525	625		825
27		227		427	527	627		827
29						629		
31		231		431	531	631		
35		235		435	535	635		
39								839
43		243			543			
52					552			

Material filter (in mesh)
200
100
50
30

Bore	Material flow*
inch (mm)	l/min (gal/min)
0.007 (0.18)	0.21 (0.055)
0.009 (0.23)	0.23 (0.061)
0.011 (0.28)	0.34 (0.090)
0.013 (0.33)	0.50 (0.132)
0.015 (0.38)	0.68 (0.180)
0.017 (0.43)	0.88 (0.232)
0.019 (0.48)	1.09 (0.288)
0.021 (0.53)	1.31 (0.346)
0.023 (0.58)	1.63 (0.431)
0.025 (0.64)	1.92 (0.507)
0.027 (0.69)	2.25 (0.594)
0.029 (0.75)	2.58 (0.682)
0.031 (0.79)	2.95 (0.779)
0.035 (0.90)	3.80 (1.004)
0.039 (0.99)	4.32 (1.141)
0.043 (1.10)	5.00 (1.321)
0.052 (1.30)	6.14 (1.622)

51 (2.0)	104 (4.0)	152 (6.0)	203 (8.0)	254 (10.0)	305 (12.0)	356 (14.0)	406 (16.0)
Average spray width (inch)**							

* Measured with water at 100 bar

** Measured with 110 bar (1595 psi), 30 cm (11.81 inch) distance, lacquer 56DIN-4s

*** Average spray width may vary

Airless manual and automatic gun accessories

WAGNER offers a comprehensive accessories range for AirCoat manual and automatic guns. Please select the components you require from this table. Further articles can be found in the WAGNER accessories catalog.

● Compatible with one another

Nozzle Chart | Standard Tip *plus*

Part-No. 323xxx

To identify the part number of a nozzle, please use the number in the chart and replace the xxx. Example: to order a 410 nozzle use the part no.: 323410



Size	Spray angle				
	20°	30°	40°	50°	60°
10	210	310	410	510	
12	212	312	412		612
14	214	314	414	514	614
16	216	316	416	516	616
18		318	418	518	618
20		320	420		620
22			422		622
24			424		624

104	152	203	254	305
(4,00)	(6,00)	(8,00)	(10,00)	(12,00)
Average spray width (inch)**				

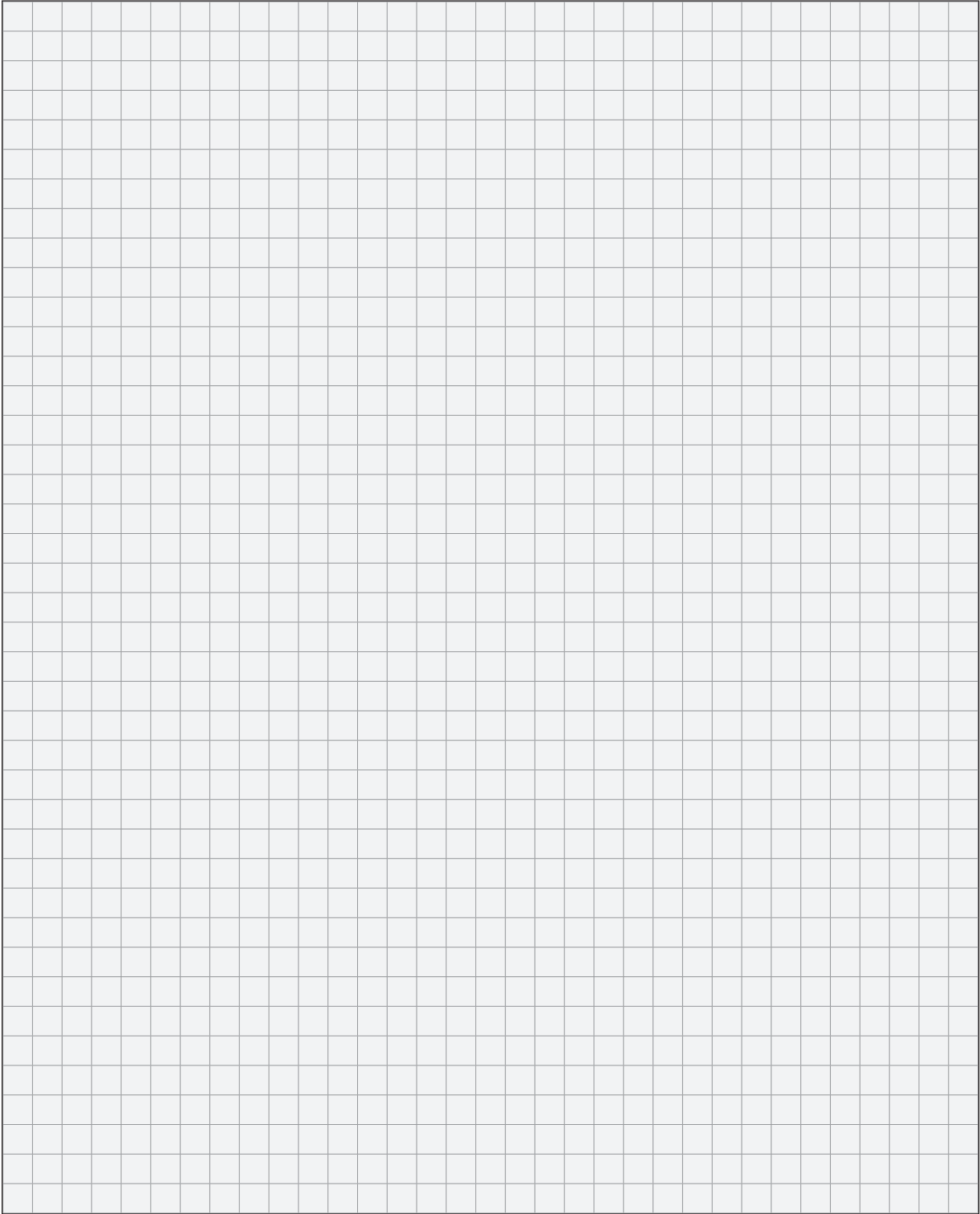
Material filter
(in mesh)
200
100
50

Bore	Material flow*
inch (mm)	l/min (gal/min)
0,001 (0,25)	0,28 (0,074)
0,012 (0,30)	0,40 (0,106)
0,014 (0,36)	0,55 (0,145)
0,016 (0,41)	0,69 (0,183)
0,018 (0,46)	0,87 (0,230)
0,020 (0,51)	1,05 (0,277)
0,022 (0,56)	1,30 (0,343)
0,024 (0,61)	1,51 (0,399)

* Measured with water at 100 bar

** Measured with 110 bar (1595 psi), 30 cm (11.81 inch) distance, lacquer 56DIN-4s

*** Average spray width may vary



Electrostatic manual and automatic guns solvent-based lacquers

WAGNER electrostatic manual and automatic guns for solvent-based lacquers with unique reliability, process and operating safety. Thanks to their external power supply with WAGNER control units, the guns are extremely light, robust and vibration-free. The operating concept offers flexibility and ease of use.

1. High Coating Quality, High AWG

Excellent wrap-around and low overspray usage ensure not only the best coating quality, but also impressive material and time savings. Amortization is soon achieved.

2. Robust Design

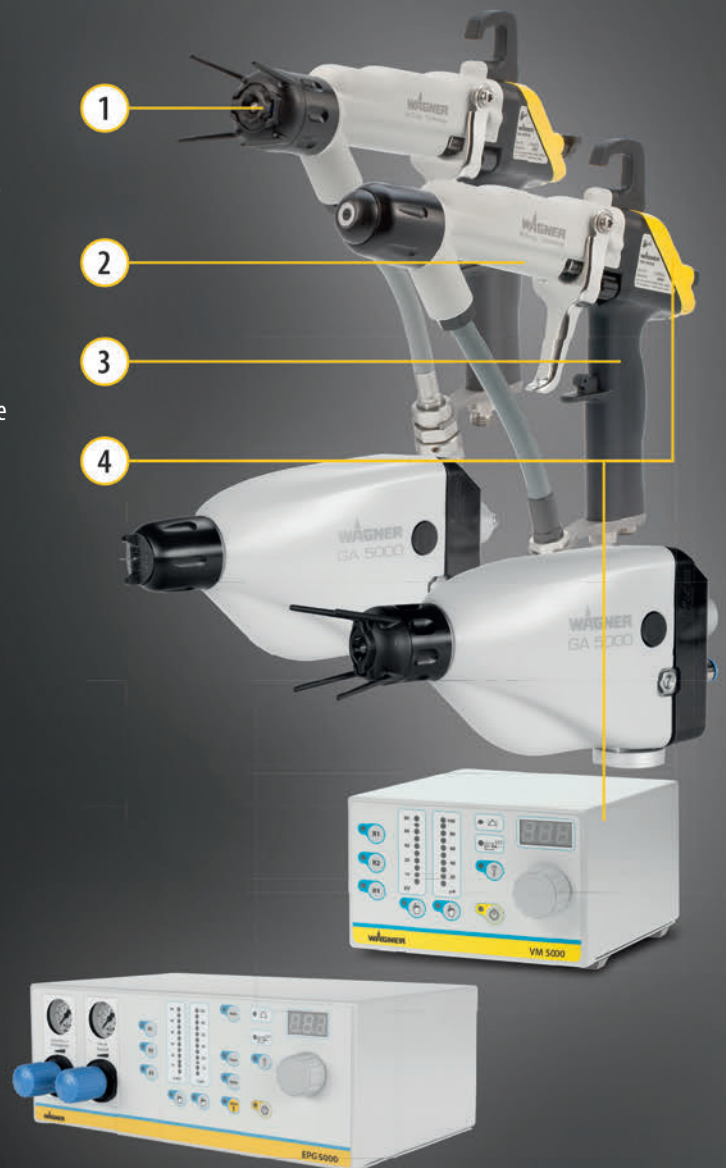
Despite complex technology the guns are extremely robust and survive falls and knocks completely undamaged.

3. Ergonomics

The combination of low weight, ergonomic design, outstanding balance and low trigger force is the basic building block for long, fatigue-free work. The power supply is protected and vibration-free in the control unit.

4. Easy Operation and Process Monitoring

Gun monitoring and setting up to three recipes directly on the gun at the touch of a button. Here the electrostatics can be switched on or off at any time. Field strength and current flow are displayed and monitored online.



GM 5000EA

Electrostatic manual gun Airspray

Electrostatic manual gun for AirSpray applications with low-conductive solvent-based lacquers. With integrated high-voltage cascade. Additionally required: Control unit VM500 or VM 5000



Technical data	
Output voltage	80,0 kV
Output current	100 µA
Max. material pressure	8 bar, 116
Fluid inlet	A – G 1/4"
Material temperature	60 °C, 140.0 °F
Resistance of paint	> 150 kΩ
LowR resistance of paint	> 50 kΩ
Max. air inlet pressure	8 bar, 116 PSI
Compressed air connection	A – G 1/4"
Operating temperature	5 – 40 °C, 41.0 – 104.0 °F
Weight	630 g, 1.39 lb
Length	261,0 mm, 10.3 in.
Height	245 mm, 9.6 in.

Processable materials

- Low-conductive, solvent-based lacquers, primers and separating agents, 1K and 2K.

Included Items

- GM 5000EA (without nozzle and air cap)
- Operating manual
- Declaration of conformity
- Gun protection

Ordering information

- In addition to individual guns, ready-to-spray sets can be composed; consisting of gun, nozzle, material hose pack and control unit.
- Comprehensive accessories range.
- Observe conductivity

Product variants	Art. No.
GM 5000EA	2309870
GM 5000EA spiral coiled tube	2363668
Set GM 5000EA VC	2328706
SET GM 5000EA VC	2328707
Spray pack GM 5000EA - Zip52 Alu-Finish	2356637
Set configurator GM 5000EA VC	2309844

Service sets	Art. No.
Service-Set GM 5000EA	2326335

GM 5000EA FM

Electrostatic manual gun Airspray

Electrostatic manual gun with FM certification for AirSpray applications with low-conductive solvent-based lacquers. With integrated high-voltage cascade. Also required: Control unit VM500_FM or VM5000_FM



Technical data	
Output voltage	70,0 kV
Output current	100 µA
Max. material pressure	8 bar, 116
Fluid inlet	A – NPS 3/8"
Material temperature	60 °C, 140.0 °F
Resistance of paint	> 150 kΩ
LowR resistance of paint	> 50 kΩ
Max. air inlet pressure	8 bar, 116 PSI
Compressed air connection	A – NPS 1/4"
Operating temperature	5 – 40 °C, 41.0 – 104.0 °F
Weight	630 g, 1.39 lb
Length	261,0 mm, 10.3 in.
Height	245 mm, 9.6 in.

Applying

Electrostatic solvent

Processable materials

- Low-conductive, solvent-based lacquers, primers, and separating agents. 1K and 2K.

Included Items

- GM 5000EA FM (without nozzle and air cap)
- Operating manual
- Declaration of conformity
- Gun protection

Product variants	Art. No.
GM 5000EA - FM	2344471

GA 5000EA

Automatic airspray electrostatic gun for solvent-based material

E-Static Automatic gun for low pressure applications, internal or external control of shaping and atomisation air. For solvent based paint.



Technical data	
Output voltage	80,0 kV
Output current	100 µA
Max. material pressure	8 bar, 116
Fluid inlet	G 1/4"
Material temperature	50 °C, 122.0 °F
Resistance of paint	> 150 kΩ
Max. air inlet pressure	8 bar, 116 PSI
Operating temperature	0 – 40 °C, 32.0 – 104.0 °F
Weight	1200 g, 2.65 lb
Length	272,0 mm, 10.7 in.
Width	74 mm, 2.9 in.
Height	135 mm, 5.3 in.

Processable materials

- 1K solvent-based paints
- 2K solvent-based paints
- 1K solvent-based primer
- 2K solvent-based primer
- Lösemittelhaltige Trennmittel

Included Items

- GA 5000EA Internal Control or External Control
- User manual
- CE declaration of conformity

Ordering information

- Wählen Sie die Art des Düsensystems (Rundstrahl oder Flachstrahl) aus.
- Bestimmen Sie das notwendige Steuergerät sowie die Düsengröße.
- Bestimmen Sie das weitere Zubehör, wie Schläuche, Kabel, Befestigung etc.

Product variants	Art. No.
GA5000 EA IC	2360900
GA5000 EA EC	2360901

GM 5000EAC

Electrostatic manual gun Aircoat

Electrostatic manual gun for AirCoat applications with low-conductive solvent-based lacquers. With integrated high-voltage cascade. Additionally required: Control unit VM500 or VM 5000



Technical data

Output voltage	80,0 kV
Output current	100 µA
Material pressure	0 – 250 bar, 0 – 3626 PSI
material connection	NPS 1/4"
Material temperature	60 °C, 140.0 °F
Lacquer conductivity	20 – 500
Lacquer conductivity LowR	4 – 25
Air inlet pressure	0,0 – 0,8 MPa, 0,0 – 8,0 bar, 0 – 116 PSI
Air inlet connection	G 1/4"
Operating temperature	5 – 40 °C, 41.0 – 104.0 °F
Weight	710 g, 1.57 lb
Length	264,0 mm, 10.4 in.
Height	246 mm, 9.7 in.

Processable materials

- Low-conductive, solvent-based lacquers, primers and separating agents, 1K and 2K.

Included Items

- GM 5000EAC (without nozzle and air cap)
- Operating manual
- Declaration of conformity
- Gun protection

Ordering information

- In addition to individual guns, ready-to-spray sets can be composed; consisting of gun, nozzle, material hose pack and control unit.
- Comprehensive accessories range.
- Observe conductivity

Product variants	Art. No.
GM 5000EAC	2309871
GM 5000EAC d1.5	2363669
Set GM 5000EAC VC	2328708
Set GM 5000EAC VC	2328709
Spray pack GM 5000EAC - Cobra40-10	2356638
Spray pack GM 5000EAC - Puma28-40	2356639
Spray pack ext. GM 5000EAC-Puma 28-40	2358662
Set configurator GM 5000EAC VC	2309845

Service sets	Art. No.
Service-Set GM 5000EAC	2326336

GM 5000EAC FM

Electrostatic manual gun Aircoat

Electrostatic manual gun with FM certification for AirCoat applications with low-conductive solvent-based lacquers. With integrated high-voltage cascade. Also required: Control unit VM500 FM or VM5000 FM



Technical data	
Output voltage	70,0 kV
Output current	100 µA
Max. material pressure	250 bar, 3626
Fluid inlet	A – NPS 3/8"
Material temperature	60 °C, 140.0 °F
Resistance of paint	> 150 kΩ
LowR resistance of paint	> 50 kΩ
Max. air inlet pressure	8 bar, 116 PSI
Compressed air connection	A – NPS 1/4"
Operating temperature	5 – 40 °C, 41.0 – 104.0 °F
Weight	710 g, 1.57 lb
Length	246,0 mm, 9.7 in.
Height	246 mm, 9.7 in.

Processable materials

- Low-conductive, solvent-based lacquers, primers, and separating agents. 1K and 2K.

Included Items

- GM 5000EAC FM (without nozzle and air cap)
- Operating manual
- Declaration of conformity
- Gun protection

Ordering information

- Select the type of nozzle system (round spray or fan spray).
- Determine the required nozzle size.
- Determine which control unit is required.
- Determine which additional accessories are required, e.g. hoses, cables, etc.

Product variants	Art. No.
GM 5000EAC - FM	2344473

GA 5000EAC

Automatic AirCoat electrostatic gun for solvent-based material

E-Static Automatic gun for high pressure applications, internal or external control of shaping and atomisation air.
For solvent based paint.



Technical data	
Output voltage	80,0 kV
Output current	100 µA
Max. material pressure	250 bar, 3626
Fluid inlet	NPS 1/4"
Material temperature	50 °C, 122.0 °F
Resistance of paint	> 150 kΩ
Max. air inlet pressure	8 bar, 116 PSI
Operating temperature	0 – 40 °C, 32.0 – 104.0 °F
Weight	1200 g, 2.65 lb
Length	290,0 mm, 11.4 in.
Width	74 mm, 2.9 in.
Height	135 mm, 5.3 in.

Processable materials

- 1K solvent-based paints
- 2K solvent-based paints
- 1K solvent-based primer
- 2K solvent-based primer
- Lösemittelhaltiges Trennmittel
- 1K high solid paints
- 1K high solid primer

Included Items

- GA 5000EAC Internal Control or External Control
- User manual
- CE declaration of conformity

Ordering information

- Select the type of nozzle system (round spray or fan spray).
- Determine the required nozzle size.
- Determine which control unit is required.
- Determine which additional accessories are required, e.g. hoses, cables, etc.

Product variants	Art. No.
GA5000 EAC IC	2360898
GA5000 EAC EC	2360899

VM 500



Control unit to drive the electrostatic manual guns GM 5000 and GM 5000 EAC. 80 kV with monitoring function and safety cut-off.



Technical data	
Input voltage	115 – 230 V
Gun voltage	80 kV
Gun spray current	100 µA
Input power	40 W
Input frequency	50 – 60 Hz
Protection class	IP 54
Operating temperature	5 – 40 °C, 41.0 – 104.0 °F
Weight	2,3 kg, 5.1 lb
Length	230,0 mm, 9.1 in.
Width	180 mm, 7.1 in.
Height	120 mm, 4.7 in.

Suitable for product

- GM 5000EA
- GM 5000EAC

Included Items

- VM 500
- Grounding cable assy. 10 m, 33 ft
- Declaration of conformity
- Operating manual
- Power cable 3m

Ordering information

- Select the device and the required accessories.

Product variants	Art. No.
Controler VM 500	2310478

VM 500 FM



Control unit to drive the electrostatic manual guns GM 5000EA FM and GM 5000EAC FM. 70 kV with monitoring function and safety cut-off.



Technical data

Input voltage	115 – 230 V
Gun voltage	70 kV
Gun spray current	100 µA
Input power	40 W
Input frequency	50 – 60 Hz
Protection class	IP 54
Operating temperature	5 – 40 °C, 41.0 – 104.0 °F
Weight	2,3 kg, 5.1 lb
Length	230,0 mm, 9.1 in.
Width	180 mm, 7.1 in.
Height	120 mm, 4.7 in.

Suitable for product

- GM 5000EA FM
- GM 5000EAC FM

Included Items

- VM 500 FM
- Grounding cable assy. 10 m, 33 ft
- Declaration of conformity
- Operating manual
- Power cable 3m

Ordering information

- Select the device and the required accessories.

Product variants	Art. No.
Controler VM 500 - FM	2344479

VM 5000



Control unit to drive the electrostatic manual guns GM 5000 and GM 5000 EAC. Adjustable high-voltage, recipe changes, safety monitoring and many other features.



Technical data	
Input voltage	115 – 230 V
Gun voltage	80 kV
Gun spray current	100 µA
Input power	40 W
Input frequency	50 – 60 Hz
Protection class	IP 54
Operating temperature	5 – 40 °C, 41.0 – 104.0 °F
Weight	2,3 kg, 5.1 lb
Length	250,0 mm, 9.8 in.
Width	180 mm, 7.1 in.
Height	120 mm, 4.7 in.

Suitable for product

- GM 5000EA
- GM 5000EAC

Included Items

- VM 5000
- Grounding cable assy. 10 m, 33 ft
- Declaration of conformity
- Operating manual
- Power cable 3m

Ordering information

- Select the device and the required accessories.

Product variants	Art. No.
Controler VM 5000	2310477

VM 5000 FM



Control unit to drive the electrostatic manual guns GM 5000EA FM and GM 5000EAC FM. Adjustable high-voltage, recipe changes, safety monitoring, and many other functions.



Technical data

Input voltage	115 – 230 V
Gun voltage	70 kV
Gun spray current	100 µA
Input power	40 W
Input frequency	50 – 60 Hz
Protection class	IP 54
Operating temperature	5 – 40 °C, 41.0 – 104.0 °F
Weight	2,3 kg, 5.1 lb
Length	250,0 mm, 9.8 in.
Width	180 mm, 7.1 in.
Height	120 mm, 4.7 in.

Suitable for product

- GM 5000EA FM
- GM 5000EAC FM

Included Items

- VM 5000
- Grounding cable assy. 10 m, 33 ft
- Declaration of conformity
- Operating manual
- Power cable 3m

Ordering information

- Select the device and the required accessories.

Product variants

Controler VM 5000 - FM

Art. No.

2344480

EPG 5000



EPG 5000 controls all electrostatic automatic guns for solvent- and water-based lacquers.



Technical data	
Input voltage	115 – 250 V
Output voltage	0,0 kV
Gun voltage	80 kV
Input current	0.5 A
Gun spray current	100 µA
Input power	40 W
Protection class	IP 40
Air inlet pressure	0,4 – 0,8 MPa, 4,0 – 8,0 bar, 58 – 116 PSI
Max. number of guns	1
Operating temperature	0 – 40 °C, 32.0 – 104.0 °F
Weight	6,7 kg, 14.8 lb
Width	370 mm, 14.6 in.
Height	136 mm, 5.4 in.
Depth	295 mm, 11.6 in.

Suitable for product

- GA 5000EA
- GA 5000EAC
- GM 5000EA
- GM 5000EAC

Included Items

- EPG 3000
- Grounding cable assy. 10 m, 33 ft
- Declaration of Conformity
- Operating manual
- Power cable 3m

Ordering information

- Select the device and the required accessories.

Product variants	Art. No.
Control unit EPG 5000	2359918

Electrostatic Manual and Automatic Gun Accesories

Wagner offers a comprehensive accessories range for electrostatic manual and automatic guns. Please select the components you require from this table. Further articles can be found in the WAGNER accessories catalog.

● Compatible with one another

GM 5000EA	GM 5000EA FM	GA 5000EA	GM 5000EAC	GM 5000EAC FM	GA 5000EAC
-----------	--------------	-----------	------------	---------------	------------

Mounting equipment						
Wall mount GM 5000E (left/right)	●	●		●	●	2326485
Valve tip and valve seat						
Valve tip Air assy.	●	●	●			2312184
Valve tip Air assy. (Steel)	●	●	●			2312185
Valve seat Air assy. (Steel)	●	●	●			2312179
Valve seat Air assy. (PEEK)	●	●	●			2312176
Valve tip EAW assy. (PEEK)	●	●	●			2312187
Filter inserts						
Edge filter 60 mesh				●	●	3204604
Edge filter 100 mesh				●	●	3204605
Edge filter 200 mesh				●	●	9999002
Nozzles - flat jet						
Nozzle EAF 5000 - 0.6mm	●	●	●			2310539
Nozzle EAF 5000 - 0.8mm	●	●	●			2310540
Nozzle EAF 5000 - 1.0mm	●	●	●			2310541
Nozzle EAF 5000 - 1.2mm	●	●	●			2310542
Nozzle EAF 5000 - 1.4mm	●	●	●			2310543
Nozzle EAF 5000 - 1.6mm	●	●	●			2310544
Nozzle EAF 5000 - 1.8mm	●	●	●			2310545
Nozzle EAF 5000 - 2.0mm	●	●	●			2310546
ACF 5000 (see nozzle chart)				●	●	395xxx
Air caps - flat jet						
Air cap EAF 5000 - 0.4-0.8S	●	●	●			2310506
Air cap EAF 5000 - 1.0-1.4S	●	●	●			2310507
Air cap EAF 5000 - 1.6-2.0S	●	●	●			2310508
Air cap EAF 5000 - 0.4-0.8W	●	●	●			2314255
Air cap EAF 5000 - 1.0-1.4W	●	●	●			2314256
Air cap EAF 5000 - 1.6-2.0W	●	●	●			2314258
Air cap ACF 5000 - LV (red)				●	●	2309882
Air cap ACF 5000 - HV (blue)				●	●	2314203
Nozzle - round jet						
Nozzle AR 5000 - D8	●	●	●			2310558
Nozzle AR 5000 - D12	●	●	●			2315050
Nozzle Set EARV 5000 LV			●			2361290
Nozzle Set EARV 5000 LV			●			2365979
Nozzle insert R11				●	●	132720
Nozzle insert R12				●	●	132721
Nozzle insert R13				●	●	132722
Nozzle insert R14				●	●	132723
Nozzle insert R15				●	●	132724
Nozzle insert R16				●	●	132725

Electrostatic Manual and Automatic Gun Accesories

Wagner offers a comprehensive accessories range for electrostatic manual and automatic guns. Please select the components you require from this table. Further articles can be found in the WAGNER accessories catalog.

● Compatible with one another

	GM 5000EA	GM 5000EA FM	GA 5000EA	GM 5000EAC	GM 5000EAC FM	GA 5000EAC	
Nozzle - round jet							
Nozzle insert R17				●	●	●	132726
Nozzle insert R18				●	●	●	132727
Nozzle insert R19				●	●	●	132728
Nozzle insert R20				●	●	●	132729
Nozzle insert R21				●	●	●	132730
Nozzle insert R22				●	●	●	132731
Air cap - round spray							
Air cap AR 5000 - D8	●	●	●				2310557
Air cap AR 5000 - D12	●	●	●				2315049
Round jet nozzle adapter ACR 5000				●		●	2309883
Round jet nozzle adapter ACR 5000 (USA)					●		2354486
Gun flush box							
Gun flush box (GM5000 EA/EAC) Round jet	●	●		●	●		2327973
Gun flush box (GM5000EAC) Flat Jet				●	●		2327965
Control units							
Controler VM 500	●			●			2310478
Controler VM 5000	●		●	●		●	2310477
Controler VM 500 - FM		●			●		2344479
Controler VM 5000 - FM		●			●		2344480
Control unit EPG 5000			●			●	2359918
Airspray hose packages							
Hose package GM 5000EA (7.5m)	●						2339167
Hose package GM 5000EA (10m)	●						2339168
Hose package GM 5000EA (15m)	●						2339169
Hose package GM 5000 EA (20m)	●						2339170
Hose package GM 5000EA (7,5m), Low R	●						2339175
Hose package GM 5000EA (10m), Low R	●						2339176
Hose package GM 5000EA (15m), Low R	●						2339177
Hose package GM 5000EA (20m), Low R	●						2339178
Hose package GM 5000EA USA (7.5m)		●					2356991
Hose package GM 5000EA USA (10m)		●					2356992
Hose package GM 5000EA USA (15m)		●					2356993
Hose package GM 5000EA USA (20m)		●					2356994
LP-hose-DN6-PN20-G1/4"-7,5m-PA			●				2339130
LP-hose-DN6-PN20-G1/4"-10m-PA			●				2339131
LP-hose-DN8-PN17-G1/4"-15m-PA			●				2339132
LP-hose-DN8-PN17-G1/4"-20m-PA			●				2339133
Material hose GA EA (7.5m) LowR			●				2367203
Material hose GA EA (10m) LowR			●				2367204
Material hose GA EA (15m) LowR			●				2367205
Material hose GA EA (20m) LowR			●				2367206

Electrostatic Manual and Automatic Gun Accessories

Wagner offers a comprehensive accessories range for electrostatic manual and automatic guns. Please select the components you require from this table. Further articles can be found in the WAGNER accessories catalog.

● Compatible with one another

GM 5000EA	GM 5000EA FM	GA 5000EA	GM 5000EAC	GM 5000EAC FM	GA 5000EAC
-----------	--------------	-----------	------------	---------------	------------

AirCoat Hose packages						
Hose package GM 5000 EAC (7,5m)			●	●		2339171
Hose package GM 5000 EAC (10m)			●	●		2339172
Hose package GM 5000EAC (15m)			●	●		2339173
hose package GM 5000EAC (20m)			●	●		2339174
Hose package GM 5000EAC (7,5m), LowR			●	●		2339179
Hose package GM 5000EAC (10m), Low R			●	●		2339180
Hose package GM 5000EAC (15m), Low R			●	●		2339181
Hose package GM 5000EAC (20m), LowR			●	●		2339182
Material hose GA EAC (7.5m) LowR					●	2367212
Material hose GA EAC (10m) LowR					●	2367213
Material hose GA EAC (15m) LowR					●	2367214
Material hose GA EAC (20m) LowR					●	2367215
Airless material hose						
HP-Hose-DN4-PN270-¼"NPS-7,5m-PA					●	9984573
HP-Hose-DN4-PN270-¼"NPS-10,0m-PA					●	2302374
HP-Hose-DN4-PN270-¼"NPS-15,0m-PA					●	9984573-15
HP-Hose-DN4-PN270-¼"NPS-20,0m-PA					●	9984573-20
Mounting accessories						
Holder standard 180			●		●	380941
Holder turnable			●		●	380942
Holder turnable 40/40/5			●		●	380945
Part-turn valve actuator assy.			●		●	380943
Adapter plate Cefla			●		●	2314079
Metallic application accessory						
Coiled tube assy.	●					2355046
Coiled tube assy. (USA) 3/8" NPS		●				2355047
Coiled tube GA EA assy.			●			2367216
Set material hose AC 1.5mm assy.			●	●		2352607
Set material hose GA EAC 1.5mm					●	2367217
Extension and control cables						
Gun cable GM 5000E 25m			●		●	2339160
Gun cable GM 5000E 32m			●		●	2344995
Gun cable GM 5000E 62m			●		●	2344996
Other accessories						
Retrofit PSV to Gm5000EA/EAC round jet	●	●	●	●		2328626
Paint resistivity meter RS 500	●	●	●	●		2326041
H.V.testeter HV200 N	●	●	●	●		259010
Gun cover	●	●	●	●		2319653
Retrofit kit PSV to Gm5000EAC flat jet			●	●		2328624

Control unit accessories

Wagner offers a comprehensive accessories range for electrostatic manual and automatic guns. Please select the components you require from this table. Further articles can be found in the WAGNER accessories catalog.

● Compatible with one another

VM 500	VM 500 FM	VM 5000	VM 5000 FM	EPG 5000
--------	-----------	---------	------------	----------

Mounting equipment						
Mounting control unit assy.	●	●	●	●	2327509	
Rack mounting cpl.				●	2369616	
Wall mounting cpl.				●	2369636	
Extension and control cables						
Mains cable + Stak 200	●		●		241270	
Mains cable + Stak 200 CH	●		●		241271	
Power cable assy. USA	●	●	●	●	264626	
Mains cable Japan	●		●		264625	
Earthing cable assy.	●	●	●	●	130215	
Earthing cable assy. 3m	●	●	●	●	236219	
Interface cable VM 5000			●	●	●	2317600
Interface Cable EPG 5000 5m					●	360393
Interface Cable EPG 5000 15m					●	360391

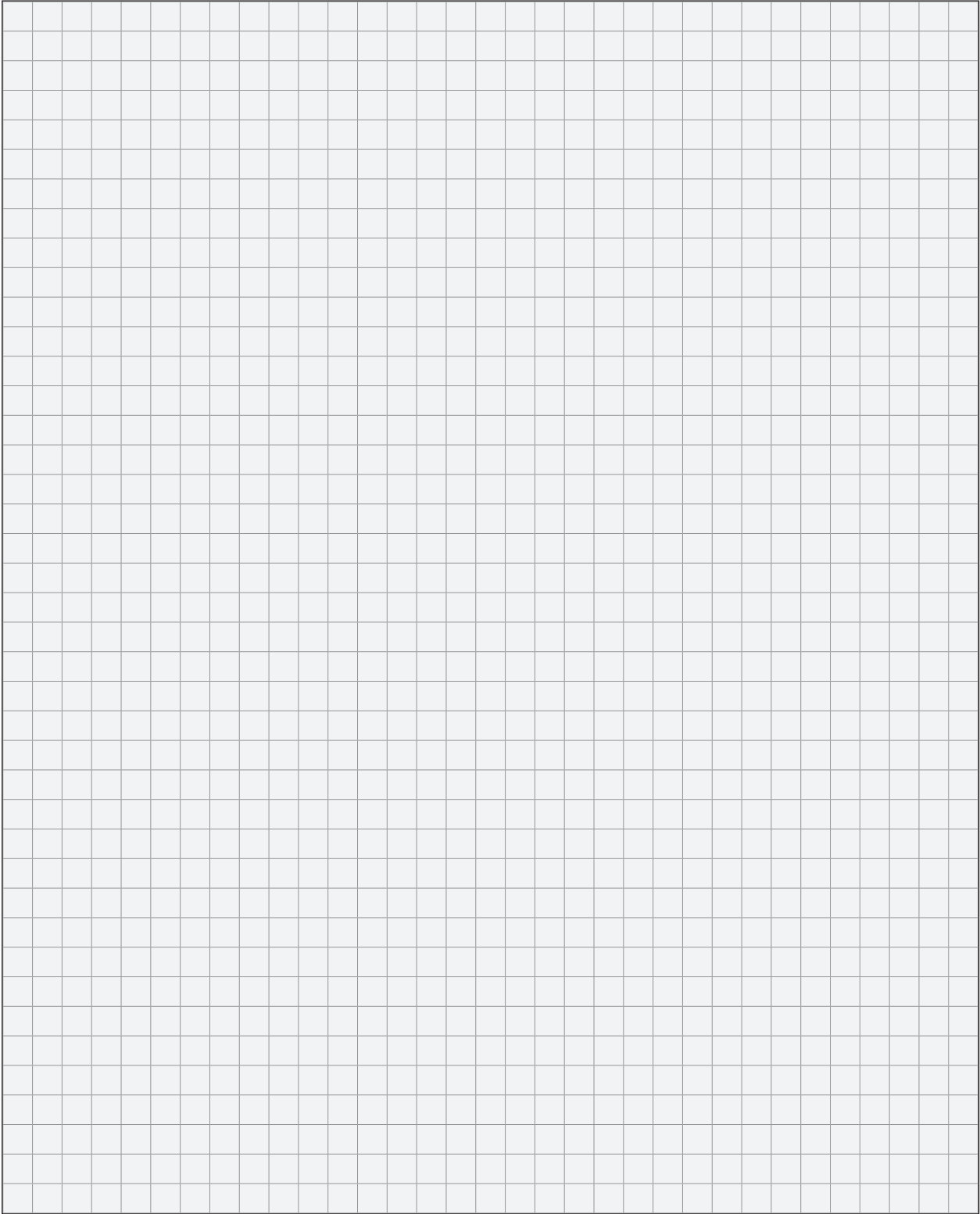
Spraypacks GM 5000 EA

WAGNER offers a selection of predefined spraypacks. Please choose the spraypack most suitable for your requirements from the following table. You can also create your own individual spraypack, to do this either visit our web shop or contact your WAGNER sales partner.

● consists of

Set GM 5000EA VC, 2328706	SET GM 5000EA VC, 2328707	Set GM 5000EAC VC, 2328708	Set GM 5000EAC VC, 2328709
---------------------------	---------------------------	----------------------------	----------------------------

Mounting equipment					
Mounting control unit assy.	●	●	●	●	2327509
Filter inserts					
Edge filter 100 mesh			●	●	3204605
Gun					
GM 5000EA	●	●			2309870
GM 5000EAC			●	●	2309871
Nozzles - flat jet					
Nozzle EAF 5000 - 1.0mm	●	●			2310541
nozzle ACF5000 11/40			●	●	395411
Air caps - flat jet					
Air cap EAF 5000 - 1.0-1.4W	●	●			2314256
Air cap ACF 5000 - LV (red)			●	●	2309882
Control units					
Controler VM 500	●		●		2310478
Controler VM 5000		●		●	2310477
Airspray hose packages					
Hose package GM 5000EA (7.5m)	●	●			2339167
AirCoat Hose packages					
Hose package GM 5000 EAC (7,5m)			●	●	2339171



Electrostatic manual guns & systems for separating agent and water-based lacquers

A specialty are the new WAGNER AquaCoat systems with their isolated set-up with cabinet in different sizes. Their value is especially set on highest protection and security. They open up many possibilities to apply separating agents and water-based materials electrostatically. The AquaCoat systems have the same advantages as electrostatic units for solvent-based materials. The new manual guns GM 5020 for water-based materials have now also integrated high-voltage cascades. For automatic applications the GA 2800EAW, WA 900 or GA 4000 can be used.

1. Outstanding application effect

The manual guns are designed for most water-based products with a specific resistance of the spray material of between $1k\Omega\cdot\text{cm}$ and $1M\Omega\cdot\text{cm}$. The guns are fitted with a special, permanently connected product hose and offer a soft and homogenous spray jet for maximum coating quality and excellent application efficiency.

2. Various AquaCoat cabinet sizes

Two sizes of cabinet are available with the new generation of AquaCoat systems. The slim basic AquaCoat 5010 device is suited to areas with little available space. The wide basic AquaCoat 5020 device provides considerably more space for larger tanks, possible extensions, and increased freedom of movement in the cabinet during maintenance work.

3. Serviceability

All control and operating elements of the AquaCoat system are easy to access from outside centrally on the control unit. As an option, the cabinets are available with a window for checking the level of the separating agent / paint container.

4. Highest safety standards

During application, access to the interior of the system is blocked mechanically. The most important safety systems are duplicated (redundant) and thus provide optimal user protection.

5. Rapid paint changes

The large door provides easy access to the paint supply and enables quick topping up or paint changes.



AquaCoat 5010

Manual electrostatic - water-based lacquers



Slim cabinet for the electrostatic processing of water-based lacquers and separating agent with manual guns. Completely insulated construction with internal charging of the materials for manual spraying applications, AirSpray and AirCoat. Basic spray sets including cabinet & control unit, pump set, and guns available, can also be customized.



Technical data	
Output voltage	70,0 kV
Output current	100 µA
Total capacity	30 l, 7,93 gal(US)
Length	560,0 mm, 22.0 in.
Width	800 mm, 31.5 in.
Height	1470 mm, 57.9 in.

Processable materials

- Release agent
- 1K water-based primer
- 1K water-based paints
- 1K water-based glues
- 1K water-based release agents
- 1K high solid primer
- 1K high solid paints

Included Items

- Insulated cabinet with VM 5020W control unit
- Doors with window as option
- Mains cable
- Grounding cable
- CE Declaration of Conformity
- Operating manual

Ordering information

- Your authorized WAGNER partner will produce the system ready for spraying to suit the application requirement.
- The basic device contains the control unit.
- The basic set contains the control unit, a pump set ready to fit, and the GM5020 manual gun.

Product variants	Art. No.
AquaCoat 5010 manual basic device	2363401
AquaCoat 5010G manual basic device	2363736
BS AQ5010 LP man. ZIP 52 GM5020EAW	2364014
BS AQ5010 HP man. Evo 20-30 GM5020EACW	2364017
BS AQ5010 LP man. DD10 GM5020EAW	2364016
BS AQ5010 HP man. Puma 28-40 GM5020EACW	2370696

AquaCoat 5020

Manual electrostatic - water-based lacquers



Large cabinet for the electrostatic processing of water-based lacquers and separating agent with manual guns. Completely insulated construction with internal charging of the materials for manual spraying applications, AirSpray and AirCoat. Basic spray sets including cabinet & control unit, pump set, and guns available, can also be customized.



Technical data

Output voltage	70,0 kV
Output current	100 µA
Total capacity	60 l, 15,85 gal(US)
Length	560,0 mm, 22.0 in.
Width	1000 mm, 39.4 in.
Height	1470 mm, 57.9 in.

Processable materials

- Release agent
- 1K water-based primer
- 1K water-based paints
- 1K water-based glues
- 1K water-based release agents
- 1K high solid primer
- 1K high solid paints

Included Items

- Insulated cabinet with VM 5020W control unit
- Doors with window as option
- Mains cable
- Grounding cable
- CE Declaration of Conformity
- Operating manual

Ordering information

- Your authorized WAGNER partner will produce the system ready for spraying to suit the application requirement.
- The basic device contains the control unit.
- The basic set contains the control unit, a pump set ready to fit, and the GM5020 manual gun.

Product variants	Art. No.
AquaCoat 5020 manual basic device	2363292
AquaCoat 5020G manual basic device	2363734
BS AQ5020 LP man. ZIP 52 GM5020EAW	2364018
BS AQ5020 HP man. Evo 20-30 GM5020EACW	2364020
BS AQ5020 HP man. Puma 28-40 GM5020EACW	2364021
BS AQ5020 HP man. Cobra 40-10 GM5020EACW	2364022
BS AQ5020 LP man. DD10 GM5020EAW	2364019

GM 5020EAW



Electrostatic manual gun for Airspray applications with separating agent & water-based lacquers and internal charging with integrated high-voltage cascade.



Technical data	
Output voltage	70,0 kV
Output current	100 µA
Max. material pressure	8 bar, 116
Fluid inlet	Special
Material temperature	60 °C, 140.0 °F
Max. air inlet pressure	8 bar, 116 PSI
Compressed air connection	G 1/4"
Operating temperature	5 – 40 °C, 41.0 – 104.0 °F
Length	261,0 mm, 10.3 in.
Height	245 mm, 9.6 in.

Processable materials

- Release agents
- 1K water-based primer
- 1K water-based paints
- 2K water-based primer
- 2K water-based paints

Included Items

- GM 5020EAW (with cascade without nozzle and air cap)
- Operating manual
- Declaration of conformity
- Gun protection

Ordering information

- Select the type of nozzle system (round spray or fan spray).
- Determine the required nozzle size.
- Determine which additional accessories are required, e.g. hoses, cables, etc.

Product variants	Art. No.
GM 5020EAW	2362852

Service Set	Art.-No.
GM 5000EAW/5020EAW	2326391

GM 5020EACW



Electrostatic manual gun for AirCoat applications with separating agent & water-based lacquers and internal charging with integrated high-voltage cascade.



Technical data	
Output voltage	70,0 kV
Output current	100 µA
Fluid inlet	Special
Material temperature	60 °C, 140.0 °F
Max. air inlet pressure	8 bar, 116 PSI
Compressed air connection	G 1/4"
Operating temperature	5 – 40 °C, 41.0 – 104.0 °F
Length	261,0 mm, 10.3 in.
Height	245 mm, 9.6 in.

Applying

Electrostatic water-based lacquers

Processable materials

- Release agents
- 1K water-based paints
- 2K water-based paints
- 1K water-based primers
- 2K water-based primers

Included Items

- GM 5020EACW (with cascade without nozzle and air cap)
- Operating manual
- Declaration of conformity
- Gun protection

Ordering information

- Select the type of nozzle system (round spray or fan spray).
- Determine the required nozzle size.
- Determine which additional accessories are required, e.g., hoses, cables, etc.

Product variants	Art. No.
GM 5020EACW	2362841

Service Set	Art.-No.
Service Set GM 5000EAW	2326392
Service Set GM 5020EAW	2367118

AquaCoat 5010

Automatic electrostatic - water-based lacquers



Slim cabinet for the electrostatic processing of water-based lacquers with max. two automatic guns. Completely insulated construction with internal charging of the materials for manual spraying applications, AirSpray and AirCoat. Suitable for low pressure guns (GA 5000EAW & WA 900) or high pressure guns (GA 4000).



Technical data	
Output voltage	80,0 kV
Output current	100 μ A
Total capacity	30 l, 7,93 gal(US)
Length	560,0 mm, 22.0 in.
Width	800 mm, 31.5 in.
Height	1470 mm, 57.9 in.

Processable materials

- 1K water-based primer
- 1K water-based paints
- 1K water-based glues
- 1K water-based release agents
- 1K high solid primer
- 1K high solid paints

Included Items

- AquaCoat cabinet
- Doors with window as option
- Control unit, high-voltage cascade
- Mains cable
- Grounding cable
- CE Declaration of Conformity
- Operating manual

Ordering information

- Depending on the specification requirements, the system is put together ready for spraying by your authorized WAGNER partner
- The basic device contains cascade and control unit

Product variants	Art. No.
AquaCoat 5010 automatic basic device	2363404
AquaCoat 5010G automatic basic device	2363737

AquaCoat 5020

Automatic electrostatic - water-based lacquers

Large cabinet for the electrostatic processing of water-based lacquers with max. two automatic guns. Completely insulated construction with internal charging of the materials for manual spraying applications, AirSpray and AirCoat. Suitable for low pressure guns (GA 5000EAW & WA 900) or high pressure guns (GA 4000).

Technical data	
Output voltage	80,0 kV
Output current	100 µA
Total capacity	60 l, 15,85 gal(US)
Length	560,0 mm, 22.0 in.
Width	800 mm, 31.5 in.
Height	1470 mm, 57.9 in.



Applying

Electrostatic water-based lacquers

Processable materials

- 1K water-based primer
- 1K water-based paints
- 1K water-based glues
- 1K water-based release agents
- 1K high solid primer
- 1K high solid paints

Included Items

- AquaCoat cabinet
- Doors with window as option
- Control unit, high-voltage cascade
- Mains cable
- Grounding cable
- CE Declaration of Conformity
- Operating manual

Ordering information

- Depending on the specification requirements, the system is put together ready for spraying by your authorized WAGNER partner
- The basic device contains control unit and cascade

Product variants	Art. No.
AquaCoat 5020 automatic basic device	2363400
AquaCoat 5020G automatic basic device	2363735

GA 5000EAW

Automatic airspray electrostatic gun for water-based material

E-Static Automatic gun for low pressure applications, internal or external control of shaping and atomisation air.
For water based paint.



Technical data	
Output voltage	80,0 kV
Output current	125 µA
Max. material pressure	8 bar, 116
Material temperature	50 °C, 122.0 °F
Resistance of paint	> 10 kΩ cm
Max. air inlet pressure	8 bar, 116 PSI
Operating temperature	0 – 40 °C, 32.0 – 104.0 °F
Weight	1000 g, 2.21 lb
Length	272,0 mm, 10.7 in.
Width	74 mm, 2.9 in.
Height	135 mm, 5.3 in.

Processable materials

- 1K water-based primer
- 1K water-based paints
- Wasserbasiertes Trennmittel

Included Items

- GA 5000EAW Internal Control or External Control
- User manual
- CE declaration of conformity

Ordering information

- Wählen Sie die Art des Düsensystems (Rundstrahl oder Flachstrahl) aus.
- Bestimmen Sie das notwendige Steuergerät sowie die Düsengröße.
- Bestimmen Sie das weitere Zubehör, wie Schläuche, Kabel, Befestigung etc.

Product variants	Art. No.
GA5000 EAW IC	2366351
GA5000 EAW EC	2366350

GA 5000EACW

Automatic AirCoat electrostatic gun for water-based material

E-Static Automatic gun for low pressure applications, internal or external control of shaping and atomisation air. For water based paint.



Technical data	
Output voltage	80,0 kV
Output current	100 µA
Max. material pressure	250 bar, 3626
Material temperature	50 °C, 122.0 °F
Resistance of paint	> 10 kΩ cm
Max. air inlet pressure	8 bar, 116 PSI
Operating temperature	0 – 40 °C, 32.0 – 104.0 °F
Weight	1000 g, 2.21 lb
Length	290,0 mm, 11.4 in.
Width	74 mm, 2.9 in.
Height	135 mm, 5.3 in.

Processable materials

- 1K water-based primer
- 1K water-based paints
- Wasserbasiertes Trennmittel

Included Items

- GA 5000EACW Internal Control or External Control
- User manual
- CE declaration of conformity

Ordering information

- Select the type of nozzle system (round spray or fan spray).
- Determine the required nozzle size.
- Determine which control unit is required.
- Determine which additional accessories are required, e.g. hoses, cables, etc.

Product variants	Art. No.
GA5000 EACW IC	2366352
GA5000 EACW EC	2366353

VM 5020W

Control unit for Aquacoat 5010/5020 - manual



Control unit to drive the electrostatic manual guns GM 5020 EAW and GM 5020 EACW. Adjustable high voltage, recipe changes, safety monitoring, and many other functions.



Technical data

Input voltage	115 – 230 V
Gun voltage	70 kV
Output current	100 µA
Gun spray current	100 µA
Input power	40 W
Input frequency	50 – 60 Hz
Operating temperature	5 – 40 °C, 41.0 – 104.0 °F
Weight	6,4 kg, 14.1 lb
Width	370 mm, 14.6 in.
Height	136 mm, 5.4 in.
Depth	268 mm, 10.6 in.

Suitable for product

- GM 5020EAW
- GM 5020EACW

Included Items

- VM 5020W
- Declaration of conformity
- Operating manual

Ordering information

- Select the device and the required accessories.

Product variants	Art. No.
Control unit VM 5020W	2362954

VM 5020WA



Control unit for controlling high voltage, recipe changes, safety monitoring, and many other functions; use of automatic guns WA 700 and GA 4000.



Technical data	
Input voltage	115
Gun voltage	80 kV
Output current	100 µA
Input power	40 W
Weight	6,4 kg, 14.1 lb
Width	370 mm, 14.6 in.
Height	136 mm, 5.4 in.
Depth	268 mm, 10.6 in.

Suitable for product

- GA 5000EAW
- GA 5000EACW

Included Items

- VM 5020WA
- Declaration of conformity
- Operating manual

Ordering information

- Select the device and the required accessories.

Product variants	Art. No.
Control unit VM 5020WA	2363323

Accessories for AquaCoat basic sets

Wagner offers a comprehensive accessories range for electrostatic manual and automatic guns. Please select the components you require from this table. Further articles can be found in the WAGNER accessories catalog.

● Compatible with one another

	AquaCoat 2364014, BS AQ5010 LP Manual ZIP 52 GM 5020EAW	AquaCoat 2364017, BS AQ5010 HP Manual Evo 20-30 GM5020EACW	AquaCoat 2364018, BS Aq5020 LP Manual ZIP 52 GM5020EAW	AquaCoat 2364020, BS AQ5020 HP Manual Evo 20-30	AquaCoat 2364021, BS AQ5020 HP Manual Puma 28-40 GM5020EACW	AquaCoat 2364022, BS AQ 5020 HP Manual Cobra 40-10 GM5020EACW	AquaCoat 2364016, BS AQ5010 LP Manual DD10 GM5020EAW	AquaCoat 2364019, BS AQ5020 LP Manual DD10 GM5020EAW	AquaCoat 2370696, BS AQ5010 HP Manual Puma 28-40 GM5020EACW	
Nozzles - flat jet										
ACF 5000 (see nozzle chart)		●		●	●	●		●	●	395xxx
Nozzle EAF 5000 - 0.4mm	●		●				●			2310538
Nozzle EAF 5000 - 0.6mm	●		●				●			2310539
Nozzle EAF 5000 - 0.8mm	●		●				●			2310540
Nozzle EAF 5000 - 1.0mm	●		●				●			2310541
Nozzle EAF 5000 - 1.2mm	●		●				●			2310542
Nozzle EAF 5000 - 1.4mm	●		●				●			2310543
Nozzle EAF 5000 - 1.6mm	●		●				●			2310544
Nozzle EAF 5000 - 1.8mm	●		●				●			2310545
Nozzle EAF 5000 - 2.0mm	●		●				●			2310546
Nozzle EAF 5000 - 0.3mm	●		●				●			2371036
Air caps - flat jet										
Air cap EAF 5000 - 0.4-0.8S	●		●				●			2310506
Air cap EAF 5000 - 1.0-1.4S	●		●				●			2310507
Air cap EAF 5000 - 1.6-2.0S	●		●				●			2310508
Air cap EAF 5000 - 0.4-0.8W	●		●				●			2314255
Air cap EAF 5000 - 1.0-1.4W	●		●				●			2314256
Air cap EAF 5000 - 1.6-2.0W	●		●				●			2314258
Air cap ACWF 5000 - LV (red)		●		●	●	●		●	●	2309901
Air cap ACWF 5000 - HV (blue)		●		●	●	●		●	●	2314204
Nozzle - round jet										
Nozzle AWR 5000 - D8	●		●				●			2310559
Nozzle AWR 5000 - D12	●		●				●			2315051
Nozzle Set EARV 5000 LV	●		●				●			2366998
Nozzle Set EARV 5000 LV	●									2366997
Nozzle insert R11		●		●	●	●		●	●	132720
Nozzle insert R12		●		●	●	●		●	●	132721
Nozzle insert R13		●		●	●	●		●	●	132722
Nozzle insert R14		●		●	●	●		●	●	132723
Nozzle insert R15		●		●	●	●		●	●	132724
Nozzle insert R16		●		●	●	●		●	●	132725
Nozzle insert R17		●		●	●	●		●	●	132726
Nozzle insert R18		●		●	●	●		●	●	132727
Nozzle insert R19		●		●	●	●		●	●	132728
Nozzle insert R20		●		●	●	●		●	●	132729
Nozzle insert R21		●		●	●	●		●	●	132730
Nozzle insert R22		●		●	●	●		●	●	132731

Accessories for AquaCoat basic sets

Wagner offers a comprehensive accessories range for electrostatic manual and automatic guns. Please select the components you require from this table. Further articles can be found in the WAGNER accessories catalog.

● Compatible with one another

AquaCoat 2364014, BS AQ5010 LP Manual ZIP 52 GM 5020EAW	AquaCoat 2364017, BS AQ5010 HP Manual Evo 20-30 GM5020EACW	AquaCoat 2364018, BS Aq5020 LP Manual ZIP 52 GM5020EAW	AquaCoat 2364020, BS AQ5020 HP Manual Evo 20-30	AquaCoat 2364021, BS AQ5020 HP Manual Puma 28-40 GM5020EACW	AquaCoat 2364022, BS AQ 5020 HP Manual Cobra 40-10 GM5020EACW	AquaCoat 2364016, BS AQ5010 LP Manual DDT10 GM5020EAW	AquaCoat 2364019, BS AQ5020 LP Manual DDT10 GM5020EAW	AquaCoat 2370696, BS AQ5010 HP Manual Puma 28-40 GM5020EACW
--	---	---	--	--	--	--	--	--

Air cap - round spray										
Air cap AR 5000 - D8	●		●				●			2310557
Air cap AR 5000 - D12	●		●				●			2315049
Round jet nozzle adapter ACR 5000		●		●	●	●		●	●	2309883
Gun flush box										
Gun flush box (GM5000 EA/EAC) Round jet		●		●	●	●		●	●	2327973
Gun flush box (GM5000EAC) Flat Jet		●		●	●	●		●	●	2327965
Airspray hose packages										
Hose package GM 5000EAW (7.5m)	●		●				●			2339183
Hose package GM 5000EAW (10m)	●		●				●			2339184
Hose package GM 5000EAW (15m)	●		●				●			2339185
Hose package GM 5000EAW (20m)	●		●				●			2339186
Hose package d3 GM 5020EAW (7.5m)	●		●				●			2363105
Hose package d3 GM 5020EAW (10m)	●		●				●			2363106
Hose package d3 GM 5020EAW (15m)	●		●				●			2363107
Hose package d3 GM 5020EAW (20m)	●		●				●			2363108
AirCoat Hose packages										
Hose package GM 5000EACW (7.5m)		●		●	●	●		●	●	2339187
Hose package GM 5000EACW (10m)		●		●	●	●		●	●	2339188
Hose package GM 5000EACW (15m)		●		●	●	●		●	●	2339189
Hose package GM 5000EACW (20m)		●		●	●	●		●	●	2339190
Other accessories										
Gun holder assy.	●	●	●	●	●	●	●	●	●	2359097
Undercarriage 5010 with rollers assy.	●	●					●		●	2364394
Insert tray 5010	●	●					●		●	2364790
Gun cover	●	●	●	●	●	●	●	●	●	2319653
Level-monitoring with horn	●	●	●	●	●	●	●	●	●	353053
Drum cap D350 without agitator	●	●	●	●	●	●	●	●	●	353054
Drum cap D350 with agitator	●	●	●	●	●	●	●	●	●	353055
Hose attachment	●	●	●	●	●	●	●	●	●	353050
Retrofit PSV to Gm5000EA/EAC round jet		●		●	●	●		●	●	2328626
Retrofit kit PSV to Gm5000EAC flat jet		●		●	●	●		●	●	2328624
Undercarriage 5020 with rollers assy.			●	●	●	●		●		2359029
Insert tray 5020			●	●	●	●		●		2364791

Accessories for AquaCoat basic sets

Wagner offers a comprehensive accessories range for electrostatic manual and automatic guns. Please select the components you require from this table. Further articles can be found in the WAGNER accessories catalog.

● Compatible with one another

Nozzle Chart | ACF 5000

Part-No. 395xxx

To identify the part number of a nozzle, please use the number in the chart and replace the xxx. Example: to order a 411 nozzle use the part no.: 395411



Size	Spray angle						
	10°	20°	30°	40°	50°	60°	80°
07	107	207		407			
09	109	209	309	409	509	609	
11	111	211	311	411	511	611	811
13	113	213	313	413	513	613	813
15	115	215	315	415	515	615	815
17		217	317	417	517	617	817
19		219	319	419	519	619	819
21		221		421	521	621	821
23				423		623	823

Material filter (in mesh)		Bore inch (mm)	Material flow* l/min (gal/min)
Edge filter	Gun filter		
200	200	0,007 (0,18)	0,23 (0,061)
100	150	0,009 (0,23)	0,26 (0,069)
60	100	0,011 (0,28)	0,38 (0,100)
	50	0,013 (0,33)	0,55 (0,145)
		0,015 (0,38)	0,75 (0,198)
		0,017 (0,43)	0,96 (0,254)
		0,019 (0,48)	1,20 (0,317)
		0,021 (0,53)	1,45 (0,383)
		0,023 (0,58)	1,79 (0,473)

55 (2,17)	100 (3,94)	145 (5,71)	195 (7,68)	250 (9,84)	300 (11,81)	400 (15,75)
Ø Average spray width mm (inch)**						

* Measured with water at 100 bar

** Measured with 110 bar (1595 psi), 30 cm (11.81 inch) distance, lacquer 56DIN-4s

Accessories for manual basic AquaCoat device

Wagner offers a comprehensive accessories range for electrostatic manual and automatic guns. Please select the components you require from this table. Further articles can be found in the WAGNER accessories catalog.

● Compatible with one another

	AquaCoat 5010	AquaCoat 5010	AquaCoat 5020	AquaCoat 5020	
Spray gun					
GM 5020EAW	●	●	●	●	2362852
GM 5020EACW	●	●	●	●	2362841
Pump					
ZIP 52 set for AquaCoat	●	●	●	●	2363856
EvoMotion 20-30 set for AquaCoat	●	●	●	●	2363946
Cobra 40-10 (Frame) set for AquaCoat	●	●	●	●	2363747
Puma 28-40 set for AquaCoat	●	●	●	●	2363746
DD10 Set for AquaCoat	●	●	●	●	2364024
Airspray hose packages					
Material hose EAW assy. (7.5m)	●	●	●	●	2368087
Material hose EAW assy. (10m)	●	●	●	●	2368088
Material hose EAW assy. (15m)	●	●	●	●	2368089
Material hose EAW assy. (20m)	●	●	●	●	2368090
Material hose WA EAW assy. (7.5m)	●	●	●	●	2368147
Material hose WA EAW assy. (10m)	●	●	●	●	2368150
Material hose WA EAW assy. (15m)	●	●	●	●	2368151
Material hose WA EAW assy. (20m)	●	●	●	●	2368152
AirCoat Hose packages					
Material hose EACW asm. (7.5m)	●	●	●	●	2368105
Material hose EACW asm. (10m)	●	●	●	●	2368110
Material hose EACW asm. (15m)	●	●	●	●	2368112
Material hose EACW asm. (20m)	●	●	●	●	2368113
Material hose GA EACW assy. (7.5m)	●	●	●	●	2346090
Material hose GA EACW assy. (10m)	●	●	●	●	2346091
Material hose GA EACW assy. (15m)	●	●	●	●	2346092
Material hose GA EACW assy. (20m)	●	●	●	●	2346093
Other accessories					
Hose attachment	●	●	●	●	353050
Gun holder assy.	●	●	●	●	2359097
Undercarriage 5010 with rollers assy.	●	●	●	●	2364394
Undercarriage 5020 with rollers assy.	●	●	●	●	2359029
Insert tray 5010	●	●	●	●	2364790
Insert tray 5020	●	●	●	●	2364791
Level-monitoring with horn	●	●	●	●	353053
Drum cap D350 with agitator	●	●	●	●	353055
Drum cap D350 without agitator	●	●	●	●	353054

Zubehör AquaCoat Grundgeräte Automatik

Wagner offers a comprehensive accessories range for electrostatic control units. Please select the components you require from this table. Further articles can be found in the WAGNER accessories catalog.

● Compatible with one another

AquaCoat 5010	AquaCoat 5010	AquaCoat 5020	AquaCoat 5020
---------------	---------------	---------------	---------------

Pump					
ZIP 52 set for AquaCoat	●	●	●	●	2363856
EvoMotion 20-30 set for AquaCoat	●	●	●	●	2363946
Puma 28-40 set for AquaCoat	●	●	●	●	2363746
Cobra 40-10 (Frame) set for AquaCoat	●	●	●	●	2363747
Other accessories					
Hose attachment	●	●	●	●	353050
Level-monitoring with horn	●	●	●	●	353053
Drum cap D350 without agitator	●	●	●	●	353054
Undercarriage 5020 with rollers assy.	●	●	●	●	2359029
Gun holder assy.	●	●	●	●	2359097
Undercarriage 5010 with rollers assy.	●	●	●	●	2364394
Insert tray 5010	●	●	●	●	2364790
Insert tray 5020	●	●	●	●	2364791
Drum cap D350 with agitator	●	●	●	●	353055

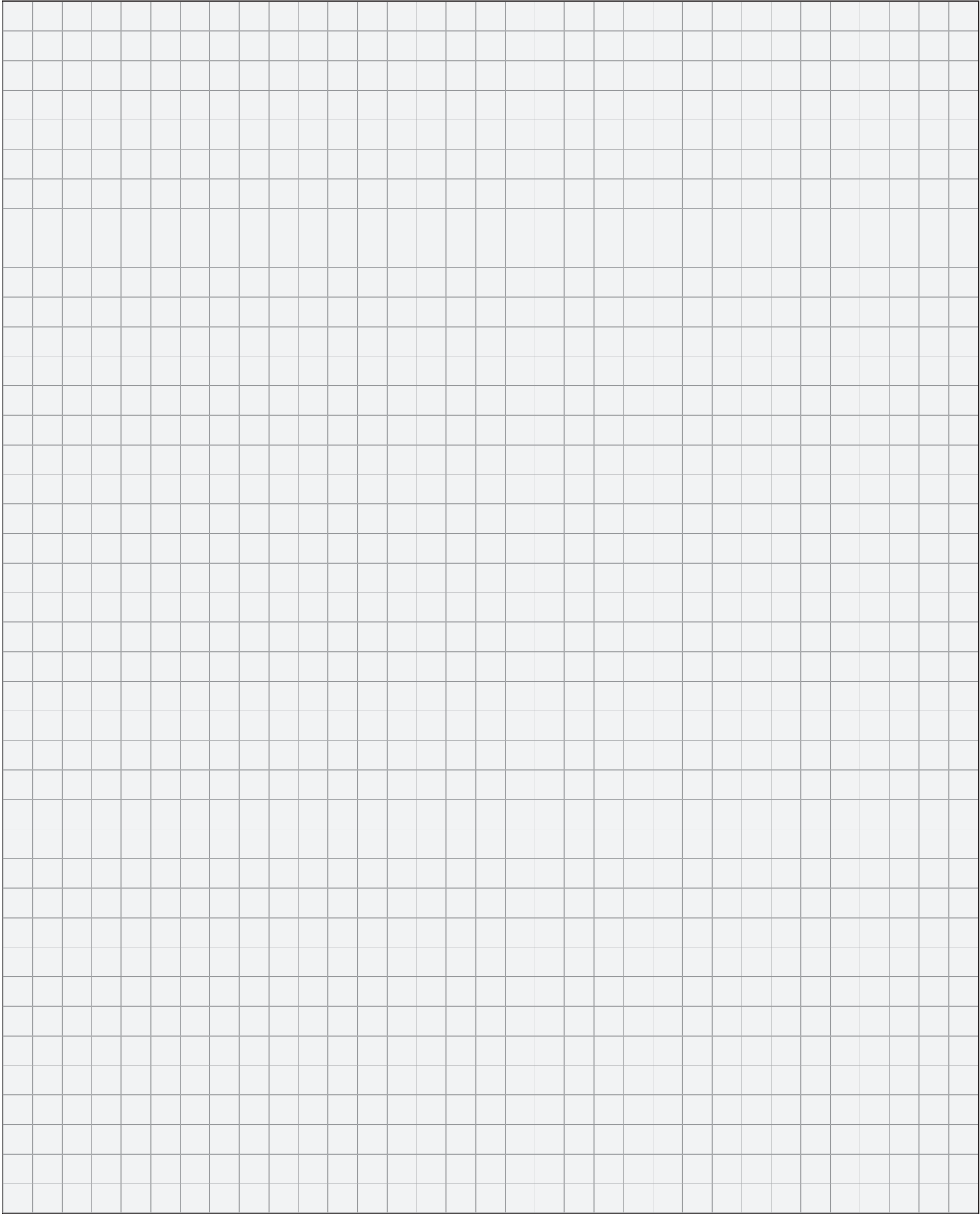
Control unit accessories

Wagner offers a comprehensive accessories range for electrostatic control units. Please select the components you require from this table. Further articles can be found in the WAGNER accessories catalog.

● Compatible with one another

VM 5020W	VM 5020WA
----------	-----------

Extension and control cables			
Mains cable + Stak 200	●	●	241270
Mains cable STAK 200 10m	●	●	2330628
Mains cable Japan	●	●	264625
Mains cable + Stak 200 CH	●	●	241271
Power cable assy. USA	●	●	264626
Earthing cable assy.	●	●	130215
Earthing cable assy. 3m	●	●	236219



High-speed rotary atomizers

With the high-speed rotation atomiser WAGNER TOPFINISH RobotBell 1 & TOPFINISH Bell 1S, both small workpieces and large surfaces can be coated with maximum efficiency. They are ideal for electrostatic applications with water and solvent-based paints. Thanks to its versatility and robust properties, it allows perfect surface coatings in a wide range of areas – such as for workpieces in the automotive, metal, plastic or wood industry.

1. Versatile range of applications

Large selection of bell discs available to match the workpiece and material being used. The TOPFINISH RobotBell 1 is used in combination with robots.

2. Time savings

Short paint changing times thanks to internal and external flushing of the bell disc as well as direct disposal of excess material via a dump valve. Manual rinsing is therefore not required.

3. Flexible production processes

The bell head on the high-speed rotation atomiser can be effortlessly replaced with an Airspray gun adapter, allowing rapid switching between Airspray and bell applications.

4. Efficient material consumption Effizienter Materialverbrauch

Depending on the material, flow rate and workpiece, an application efficiency of over 90% can be achieved.

5. Low operating costs

Around 20% less air consumption than other comparable products.

6. Optimised control

Combination of the TOPFINISH RobotBell 1 with the RBC 1E control unit: automated control of the bell speed, control of high voltage, shroud and drive airs and other process parameters.



TOPFINISH RobotBell 1



With the high-speed rotation atomiser WAGNER TOPFINISH RobotBell 1, both small workpieces and large surfaces can be coated with highest efficiency.



Technical data	
Output voltage	70.000,0 – 100,0 kV
Suspension	Air bearing
Material pressure	8 bar, 116 PSI
material connection	G 1/4"
Material temperature	50 °C, 122.0 °F
Max. air bearing pressure	0,6, 5,5, 80
Hose connection, drive air	4 / 6 / 8 mm mm
Material delivery rate	25 – 800 cm ³ /min, 0,0 – 0,0 cfm
Ambient temperature	0 – 40 °C, 32 – 104 °F
Weight	5,1 kg, 11.3 lb
Spray jet Ø	70 – 800 mm, 2.8 – 31.5 in.
Bell Ø	30/50/70 mm, 1.2/2.0/2.8 in.
Valve disc (number of colours)	1 / 2 / 4

Processable materials

- Solvent-based paint 1K / 2K
- Water-based paint 1K / 2K
- UV paint
- Sol-gel
- Micro corrosion protection paint

Product variants	Art.-No.
TOPFINISH Robotbell 1 / Bell1S configurator	2373517

TOPFINISH Bell 1S



With the high-speed rotation atomiser WAGNER TOPFINISH Bell 1S, both small workpieces and large surfaces can be coated with highest efficiency..



Technical data	
Output voltage	max 100,0 kV
Suspension	Air bearing
Material pressure	8 bar, 116 PSI
material connection	G 1/4"
Material temperature	50 °C, 122.0 °F
Max. air bearing pressure	5,5 bar
Hose connection, drive air	4 / 6 / 8 mm
Material delivery rate	25 – 800 cm ³ /min
Ambient temperature	0 – 40 °C, 32 – 104 °F
Weight	4 kg
Spray jet Ø	70 – 800 mm, 2.8 – 31.5 in.
Bell Ø	30/50/70 mm, 1.2/2.0/2.8 in.
Valve disc (number of colours)	1 / 2 / 4

Processable materials

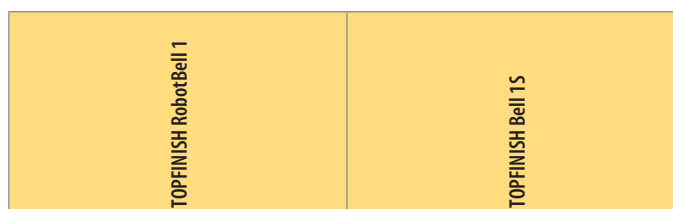
- Solvent-based paint 1K / 2K
- Water-based paint 1K / 2K
- UV paint
- Sol-gel
- Micro corrosion protection paint

Product variants	Art.-No.
TOPFINISH Robotbell 1 / Bell1S configurator	2373517

High-speed rotary atomizers

● Compatible with one another

Wagner offers a comprehensive accessories range for high-speed rotary atomizers. Please select the components you require from this table. Further articles can be found in the WAGNER accessories catalog.

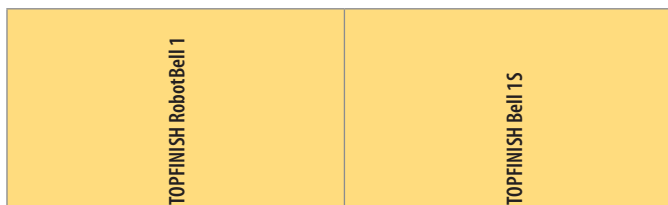


Bell cups			
Bell cup Consis. D30 smooth	●	●	2372511
Bell cup Consis. D30 straight	●	●	2372513
Bell cup Consis. D30 cross	●	●	2372512
Bell cup Consis. D50 smooth	●	●	2372514
Bell cup Consis. D50 straight	●	●	2372516
Bell cup Consis. D50 cross	●	●	2372515
Bell cup Consis. D70 smooth	●	●	2372517
Bell cup Consis. D70 straight	●	●	2372520
Bell cup Consis. D70 cross	●	●	2372519
Bell cup Titan D30 smooth	●	●	2372521
Bell cup Titan D30 straight	●	●	2372522
Bell cup Titan D30 cross	●	●	2372523
Bell cup Titan D50 smooth	●	●	2372524
Bell cup Titan D50 straight	●	●	2372525
Bell cup Titan D50 cross	●	●	2372527
Bell cup Titan D70 smooth	●	●	2372528
Bell cup Titan D70 straight	●	●	2372529
Bell cup Titan D70 cross	●	●	2372530
Air guides			
Air guide 30 cpl.	●	●	2372462
Air guide 30 HVLP cpl.	●	●	2394136
Air guide 50 cpl.	●	●	2372463
Air guide 50 HVLP cpl.	●	●	2394137
Air guide 70 cpl.	●	●	2372464
Air guide 70 HVLP cpl.	●	●	2394138
Nozzles			
Nozzle 0.8 kpl.	●	●	2371466
Nozzle 1.1 kpl.	●	●	2371467
Nozzle 1.4 kpl.	●	●	2371468
Nozzle 1.7 kpl.	●	●	2371469
Distributor disk			
Distributor disk	●	●	2372246

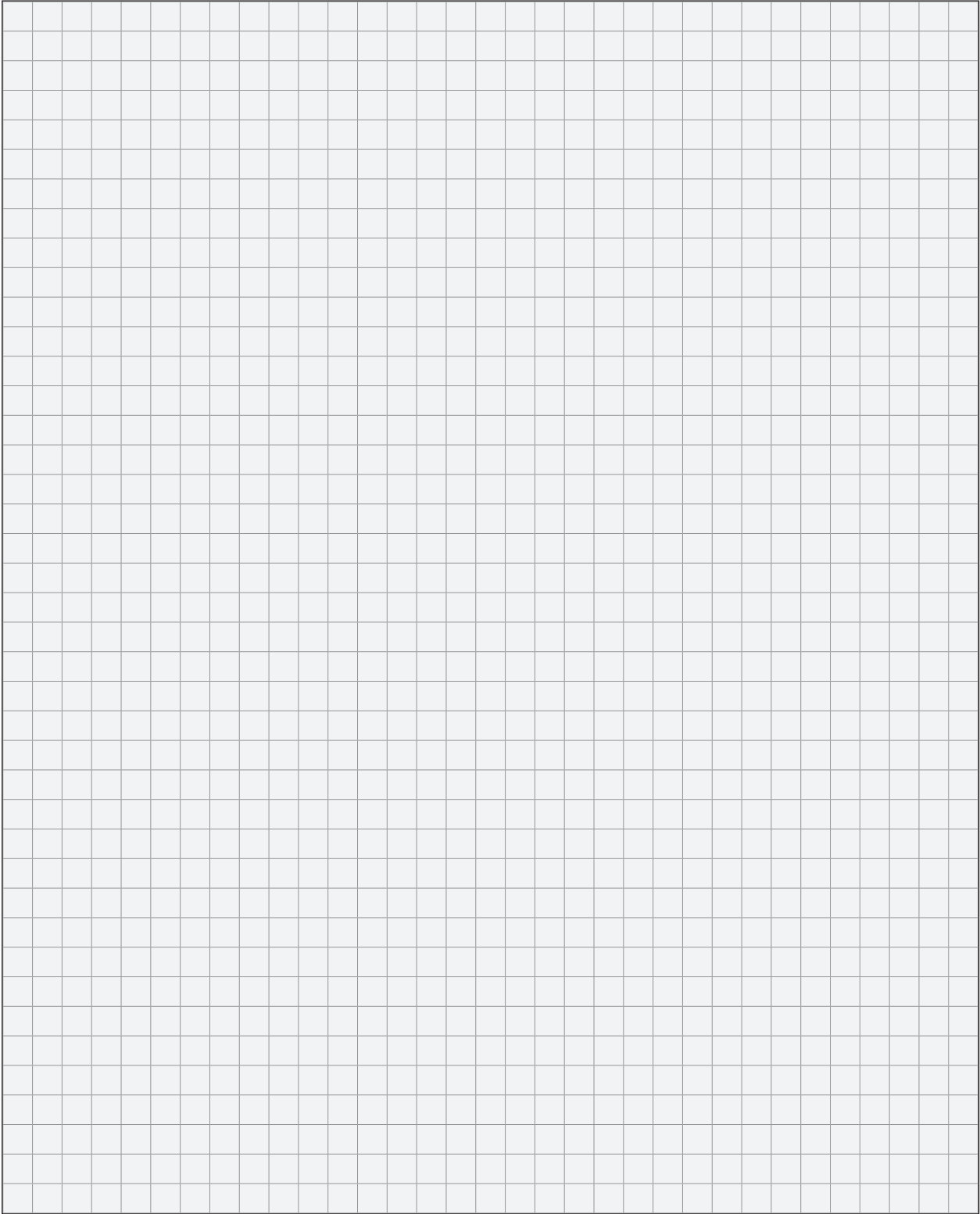
High-speed rotary atomizers

● Compatible with one another

Wagner offers a comprehensive accessories range for high-speed rotary atomizers. Please select the components you require from this table. Further articles can be found in the WAGNER accessories catalog.

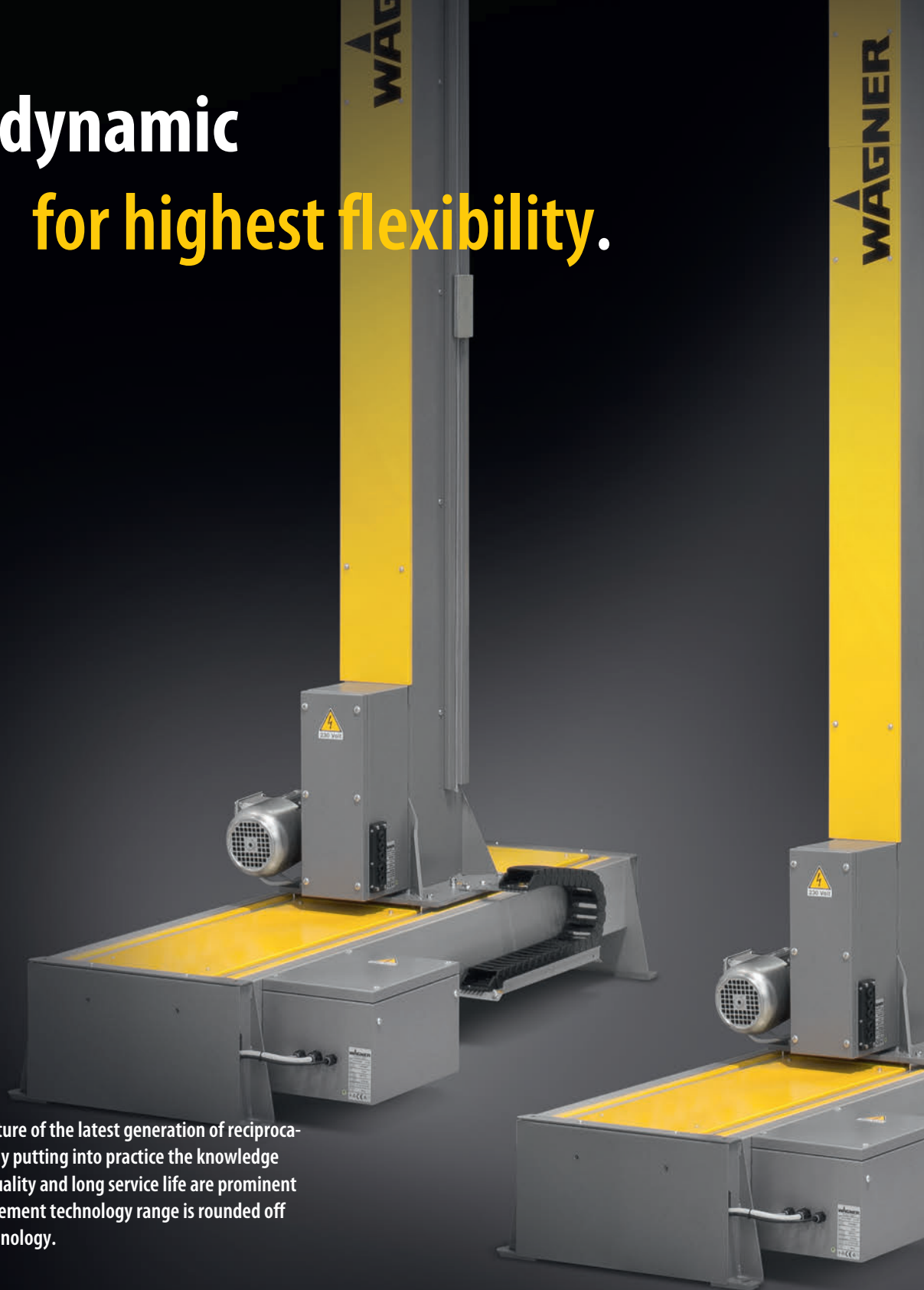


Material tube cpl. incl. static mixer				
Material tube with Ø4,9 mm plus static mixer		●	●	2393711
Valve discs				
Valve disc 2 x colours		●	●	2391613
Valve disc 2 x colours		●	●	2391617
Mounting				
RobotBell holder A		●	●	2391680
RobotBell holder B		●	●	2391683
TF RB Gun GA 1900 holder		●	●	2394082
Gun Adapter WA 905		●	●	2374402
Mounting Topfinish Robot Bell 1 S		●	●	2384350
Tools				
Mounting tool 30mm		●	●	2384297
Mounting tool 50mm		●	●	2384302
Mounting tool 70mm		●	●	2384304
Hook wrench		●	●	2384305
Press out pin for distributor disc		●	●	2385642
Teack-Peak		●	●	2393703
Hexagon socket		●	●	2396538
Control Unit				
Control Unit RBC 1E		●	●	2373752
RBC-1 E, +SHV		●	●	2373753
RBC-1 E, +SHV 1		●	●	2373754
RBC-1 E, +SHV2		●	●	2386883
Frame for Control Unit		●	●	3064115
Interface cables				
Cable - set / RBC -> HV für 2373753		●	●	2373613
Cable - set / RBC -> HV1 für 2373754		●	●	2373614
Fibre optic cable 9,9m		●	●	2335584
Fibre optic cable 15.0 m		●	●	387101
Hoses / Hose Packages				
L-Hose package Robot Bell 10 m		●	●	2373986
L-Hose package Robot Bell 15 m		●	●	2373994
M-Hose package Robot Bell 10 m		●	●	2373997
M-Hose package Robot Bell 15 m		●	●	2373999



The logo features a black triangle above the word "WAGNER" in a bold, black, sans-serif font, all contained within a yellow rectangular background.

Highly dynamic for highest flexibility.



In the design and manufacture of the latest generation of reciprocators, WAGNER is consistently putting into practice the knowledge gained from experience. Quality and long service life are prominent in these products. The movement technology range is rounded off by the RoboCoat robot technology.



Moving



Reciprocators

212

WAGNER Movement technology

The WAGNER product portfolio for movement technology covers all axes that are important for achieving excellent coating results. The product palette ranges from short stroke units to rotary axes for complex enclosure coatings. A fitting solution is available for any coating application. In addition, our engineers develop customized solution for complex tasks.

High stability

Sturdy, mechanical construction. Lightweight, but robust design thanks to aluminium sections and clearance-free precision linear guiding with ball cages.

Maintenance-friendly drive concept

Powerful

Powerful

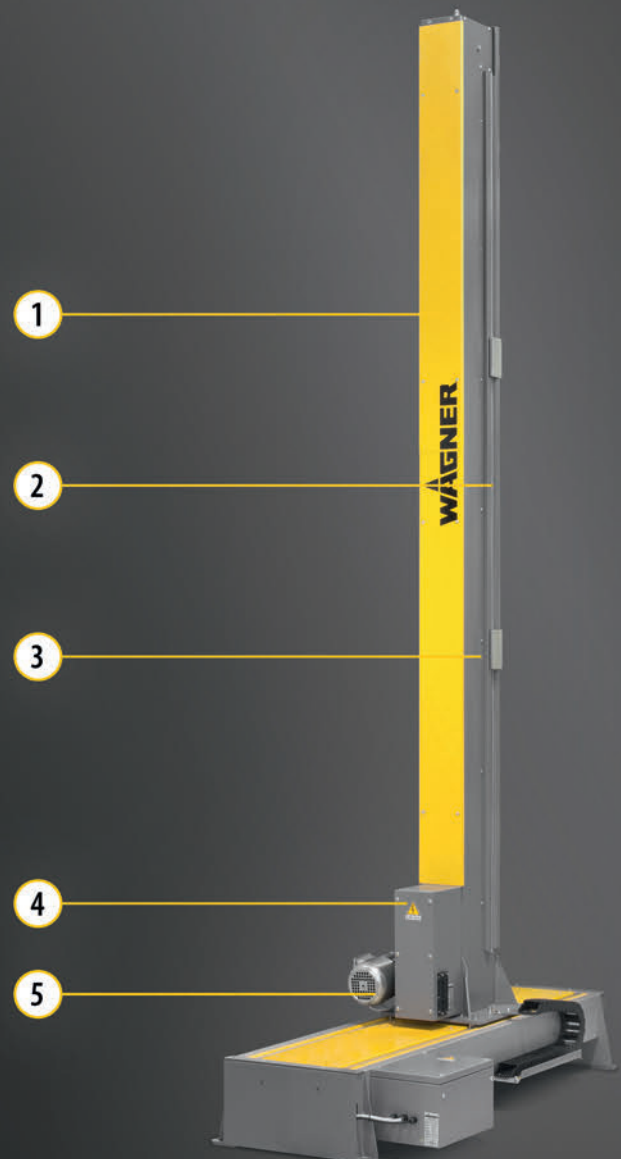
Moved mass of up to 49 kg.

High safety

The WAGNER reciprocators are fully compatible with use in explosive areas.

Moving

Reciprocators



Reciprocator - vertical



With different lifting ranges and 2 speed classes. Up to 12 automatic guns possible. Vertical units are delivered with drive motor, rotary generator and final position switch. Power supply with frequency converter has to be ordered separately.



Technical data	
Input voltage	230 – 400 V
Rated power, drive motor	1,50 kW
Protection class	IP 66
Max. number of guns	12
Ambient temperature	0 – 45 °C, 32 – 113 °F
Max. load capacity of device support	49 kg
Ascent and descent speed	7 – 80 m/min

Advantages

- High stability
Sturdy, mechanical construction. Lightweight, but robust design thanks to aluminum sections and clearance-free precision linear guiding with ball cages.
- Maintenance-friendly drive concept
wired tooth belt ensure a long lifetime.
- Powerful
Moved mass up to 49 kg.
- High safety
The WAGNER reciprocators are fully compatible with use in explosive areas.
- Powerful
High actuating speed of up to 80m/min and 6m/s acceleration.

Included Items

- Reciprocator
- Motor with rotary pulse generator, 24 V DC A, B evaluation
- Temperature sensor, PT 10, ATEX-conform
- User manual
- CE and ATEX certification

Ordering information

- Frequency converter with 87 kHz characteristic curve - to be ordered separately, output 2,2 kW min.

Product variants	Art. No.
Reciprocator VU 1-1800 Ex-ES	2327631
Reciprocator VU 1-2400 Ex-ES	2327634
Reciprocator VU 1#3000 Ex-ES	2327637
Reciprocator VU 1#3600 Ex-ES	2327639

Vertical reciprocator - low speed



With different lifting ranges and 2 speed classes. Up to 12 automatic guns possible. Vertical units are delivered with drive motor, rotary generator and final position switch. Power supply with frequency converter has to be ordered separately.



Technical data	
Input voltage	230 – 400 V
Rated power, drive motor	1,50 kW
Protection class	IP 66
Max. number of guns	12
Ambient temperature	0 – 45 °C, 32 – 113 °F
Max. load capacity of device support	49 kg
Ascent and descent speed	3 – 20 m/min

Advantages

- High stability
Sturdy, mechanical construction. Lightweight, but robust design thanks to aluminum sections and clearance-free precision linear guiding with ball cages.
- Maintenance-friendly drive concept
wired tooth belt ensure a long lifetime.
- Powerful
Moved mass up to 49 kg.
- High safety
The WAGNER reciprocators are fully compatible with use in explosive areas.
- Powerful
High actuating speed of up to 80m/min and 6m/s acceleration.

Included Items

- Reciprocator
- Motor with rotary pulse generator, 24 V DC A, B evaluation
- Temperature sensor, PT 10, ATEX-conform
- User manual
- CE and ATEX certification

Ordering information

- Frequency converter with 87 kHz characteristic curve - to be ordered separately, Output 2,2 kW min.

Product variants	Art. No.
Reciprocator low speed VU 1#1800 Ex	2353284
Reciprocator low speed VU 1#2400 Ex	2353285
Reciprocator low speed VU 1#3000 Ex	2353286
Reciprocator low speed VU 1#3600 Ex	2353287

Horizontal reciprocator



For mounting a vertical unit, if a horizontal axis is necessary.



Technical data	
Input voltage	230 – 400 V
Rated power, drive motor	1,50 kW
Protection class	IP 66
Ambient temperature	0 – 45 °C, 32 – 113 °F
Displacement speed	6 m/min

Advantages

- High stability
Sturdy, mechanical construction.
Lightweight, but robust design thanks to aluminum sections and clearance-free precision linear guiding with ball cages.
- Maintenance-friendly drive concept
wired tooth belt ensure a long lifetime.
- Powerful
Moved mass up to 49 kg.
- High safety
The WAGNER reciprocators are fully compatible with use in explosive areas.
- Powerful
High actuating speed of up to 80m/min and 6m/s acceleration.

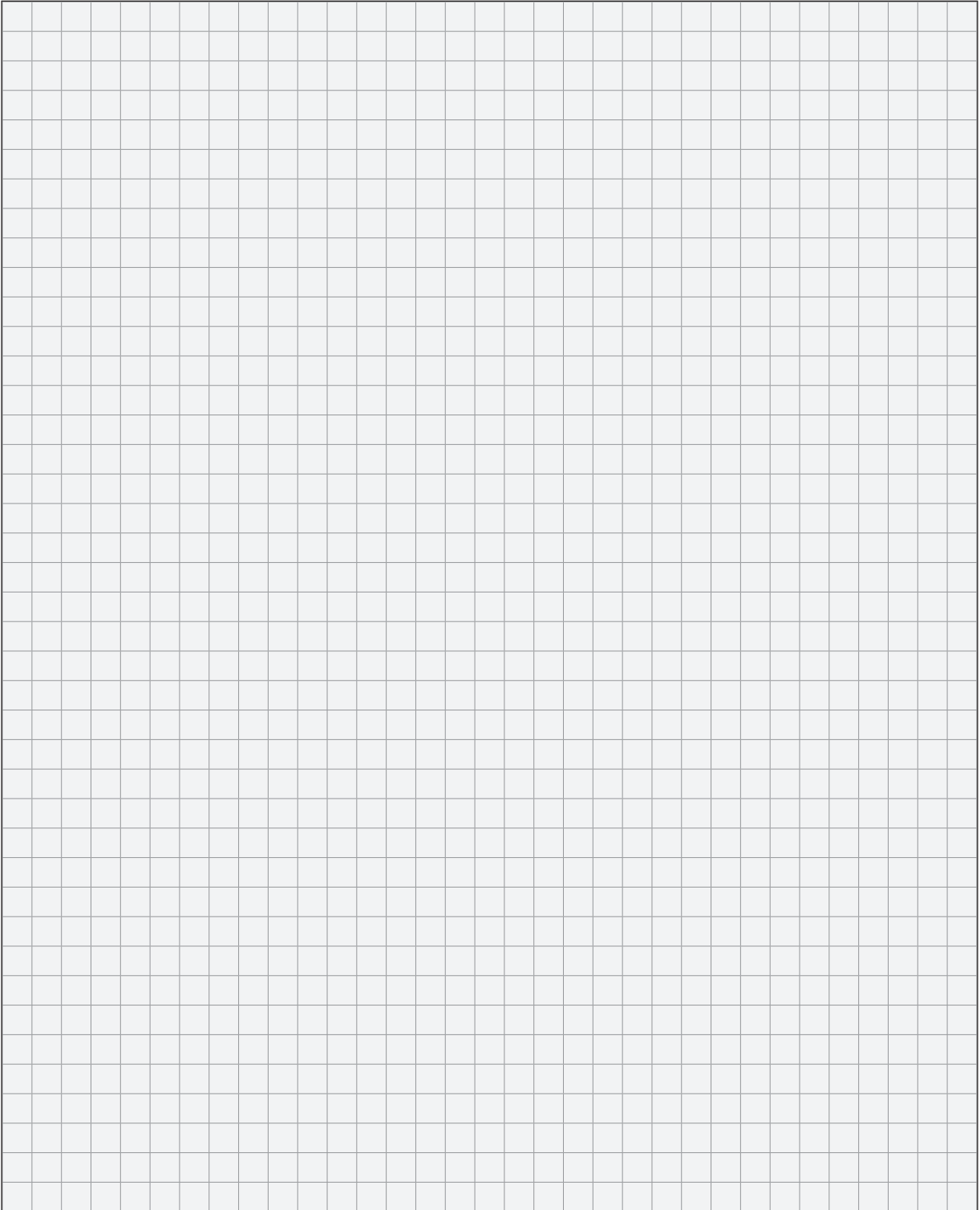
Ordering information

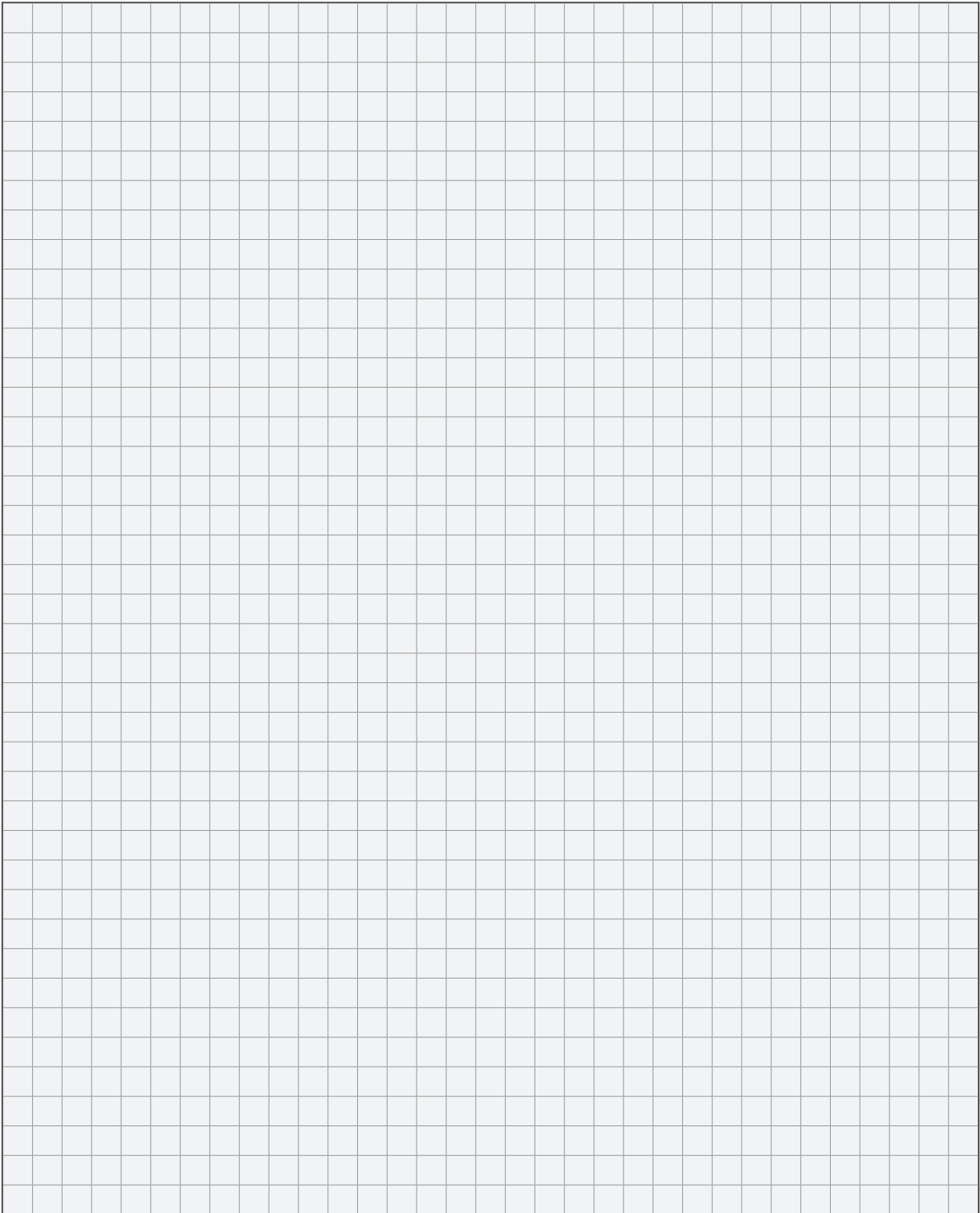
- Frequency converter with 87 kHz characteristic curve – to be separately, Output 2,2 kW min.

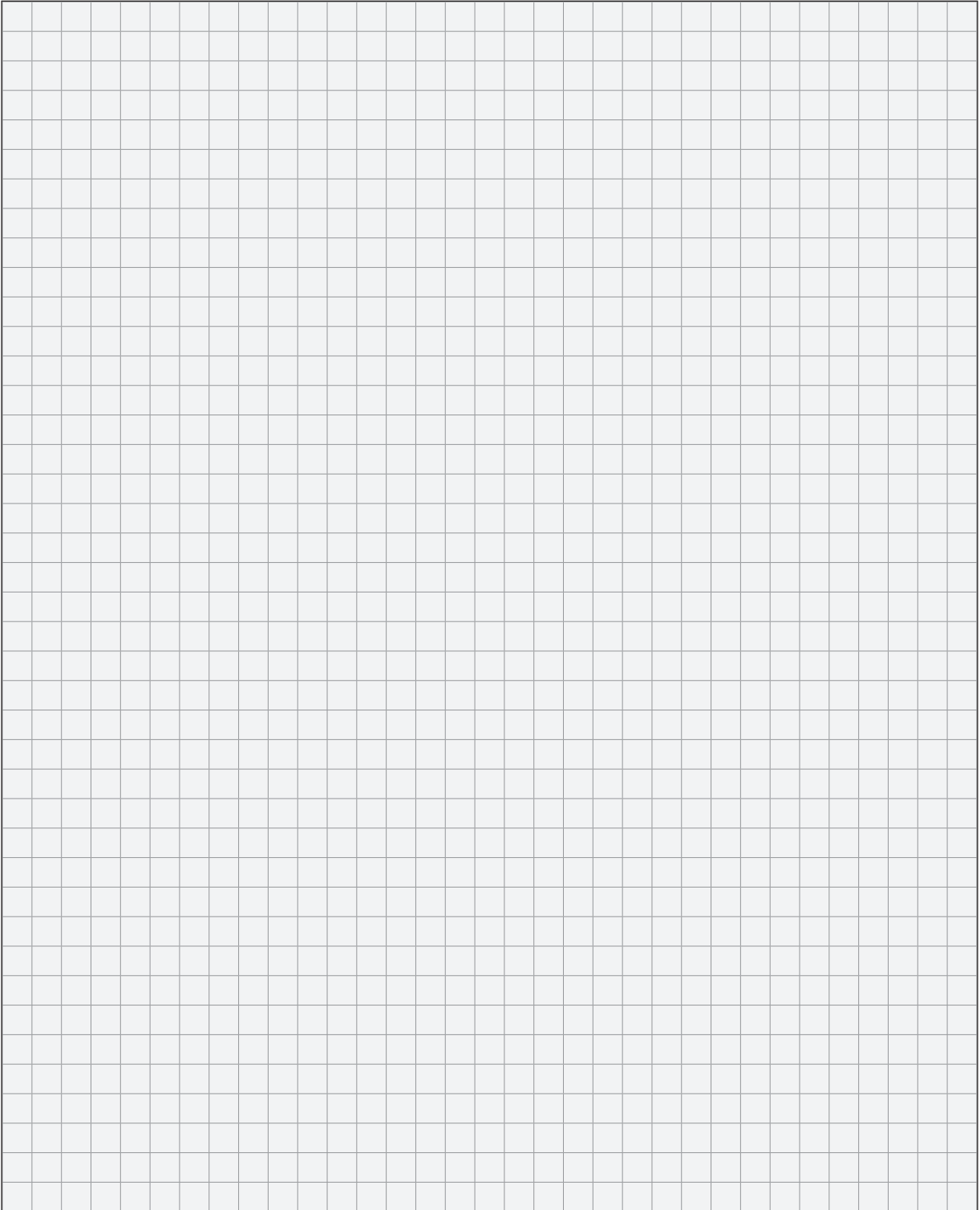
Included Items

- Reciprocator
- Drive motor with rotary pulse generator, 24 V DC A, B evaluation
- Temperature sensor, PT 10, ATEX-conform
- User manual
- CE and ATEX certification

Product variants	Art. No.
Reciprocator HU 1-600 Ex	2327640
Reciprocator HU 1-900 Ex	2327641











J. Wagner GmbH

Industrial Solutions
D-88677 Markdorf
T +49 (0) 7544 505 - 0
F +49 (0) 7544 505 - 1200

Wagner S. p. A.

Via Santa Vecchia, 109
23868 Valmadrera (LC) - Italy
T +39 (0) 341 210 100

WAGNER Systems Inc.

300 Airport Road
60123 Chicago
Tel. +1 630 503-2400
Fax. +1 630 503-2377

WAGNER Spraytech (Shanghai) Co., Ltd.

1F, No. 58, 3rd Jiangchang Road
200436 Shanghai
Tel. +86 21 60 433 888

Walther Spritz- u. Lackiersysteme GmbH

Kärntner Straße 18 - 30
D-42327 Wuppertal
T +49 (0) 202 787 - 0
F +49 (0) 202 787 - 2217
www.walther-pilot.de

Reinhardt-Technik GmbH

Waldheimstraße 3
D-58566 Kierspe
T +49 (0) 2359 666 - 0
F +49 (0) 2359 666 - 129
www.reinhardt-technik.de

C.A. Technologies

Coating Atomization Technologies

337 S. Arthur Ave.
Louisville, CO 80027
T +1 888 820 4498
F +1 303 438 5708
www.spraycat.com

www.wagner-group.com



Printed in Germany - Part no. 2392512 - 07/2018 - Subject to change without notice. We accept no liability for changes, mistakes or printing errors. Illustrations may vary from scope of delivery. Our general terms and conditions apply. All prices are in Euros plus the statutory VAT. All rights reserved.